

1989
 BMW 525i/535i (E34)
 Electrical
 Troubleshooting
 Manual
 6/88 Production Through 2/89

CONTENTS

Index	0100.0-00
Introduction	0110.0-00
Systematic Troubleshooting	0130.0-00
Symbols	0140.0-00
Power Distribution Chart	0670.0-00
Fuse Chart	0670.1-00
Power Distribution	0670.2-00
Ground Distribution	0670.4-00
Component Location Chart	7000.0-00
Component Location Views	7100.0-00
Splice Location Views	8000.0-00
Connector Views	8500.0-00



INDEX

Antilock Brake System	3450.0-00
Auxiliary Fan	6454.0-00
Brake Lining Warning	6200.0-01
CD Changer	6510.0-05
Cellular Telephone (Provisions)	6561.0-00
Central Body Electronics	6100.0-00
ZKE Central Locking (ZV)	5126.0-00
Charging Plug	6332.0-00
Charging System	1230.0-00
Check Control	6200.0-00
Cigar Lighter	6332.0-00
Component Location Chart	7000.0-00
Connector Views	8500.0-00
Cruise Control (TEMPOMAT)	6571.0-00
Diagnostic Link	0670.5-00
ZKE Door Lock Heating (TSH)	5120.0-00
E-Box Fan	1290.0-00
Electronic Transmission Control (AEGS)	2460.0-00
Fuse Details	
— Fuse 1	0670.3-00
— Fuse 2	0670.3-00
— Fuse 3	0670.3-01
— Fuse 4	0670.3-01
— Fuse 5	0670.3-01
— Fuse 6	0670.3-01
— Fuse 7	0670.3-02
— Fuse 9	0670.3-02
— Fuse 10	0670.3-02
— Fuse 11	0670.3-02
— Fuse 12	0670.3-03
— Fuse 13	0670.3-05
— Fuse 14	0670.3-05
— Fuse 15	0670.3-05
— Fuse 16	0670.3-06
— Fuse 17	0670.3-07

— Fuse 18	0670.3-08
— Fuse 19	0670.3-09
— Fuse 20	0670.3-09
— Fuse 21	0670.3-10
— Fuse 22	0670.3-11
— Fuse 23	0670.3-11
— Fuse 24	0670.3-12
— Fuse 25	0670.3-13
— Fuse 26	0670.3-13
— Fuse 28	0670.3-13
— Fuse 29	0670.3-14
— Fuse 30	0670.3-15
— Fuse 31	0670.3-15
— Fuse 32	0670.3-16
— Fuse 37	0670.3-18
— Fuse 40	0670.3-16
— Fuse 41	0670.3-16
— Fuse 42	0670.3-16
— Fuse 43	0670.3-17
— Fuse 44	0670.3-17
— Fuse 46	0670.3-17
— Fuse 47	0670.3-18
— Fuse 48	0670.3-18
— Fuse 49	0670.3-18
Fuel Pump Gauges	
— Fuel	6200.0-07
— Fuel Economy	6200.0-06
— Speedometer	6200.0-06
— Tachometer	6200.0-04
— Temperature	6200.0-04
Ground Distribution	
— X165	0670.4-00
— X166	0670.4-01
— X167	0670.4-02
— X175	0670.4-03

— X179	0670.4-02
— X490	0670.4-04
— X491	0670.4-05
— X492	0670.4-06
— X493	0670.4-09
— X495	0670.4-10
— X496	0670.4-12
— X497	0670.4-14
— X818	0670.4-17
— X955	0670.4-17
— X1541 (525i)	0670.4-18
— X1541 (535i)	0670.4-20
— X1542 (535i)	0670.4-22
— X1542 (525i)	0670.4-23
— X2008	0670.4-22
Heated Seats	5203.0-00
Horn	6133.0-00
IHKR Air Delivery	6450.1-06
IHKR Auxiliary Water Pump	6450.1-09
IHKR Blower Controls	6450.1-01
IHKR Compressor Control	6450.1-08
IHKR Temperature Controls	6450.1-03
IHKR Water Valves	6450.1-02
Indicators	
— "ABS"	3450.0-02
— "Air Bag"	3234.0-00
— "Brake Lining" Wear	6200.0-01
— "Check Engine"	6200.0-00
— "Charge"	6200.0-00
— Fog Lights	6312.0-01
— High Beam	6312.0-00
— Left Turn	6313.0-02
— Low Fuel Warning	6200.0-07
— Oil Pressure Warning	6200.0-00
— "Park Brake"	6200.0-02
— Right Turn	6313.0-02

Injection Electronics (DME 1.3)	1210.2-00
Instrument Cluster	6200.0-00
Lamp Monitor (LKM)	6301.0-00
Lights	
— Back Up	6322.0-00
— Brake	6325.0-00
— Front Fog	6312.0-00
— Glove Box	6332.0-00
— Hazard	6313.0-00
— Headlights/Fog Lights	6312.0-00
— Interior Lights (IB) (ZKE)	6330.0-00
— License	6320.0-00
— Makeup Mirror	6300.0-01
Park/Tail	6314.0-00
Turn/Hazard	6313.0-00
Trunk	6320.0-00
Underhood	6314.0-00
Light Switch Details	6300.0-00
On-Board Computer (BCIV)	6581.0-00
Power Distribution	0670.2-00
Power Assist Steering	3240.0-00
Power Mirrors	5116.0-00
Power Seats	5200.0-00
Power Windows (FH) (ZKE)	5133.0-00
Radio	6510.0-00
Rear Defogger (IHKR)	6450.1-10
Start	
— Automatic Transmission	1240.0-00
— Manual Transmission	1240.0-00
Sunroof (SHD) (ZKE)	5410.0-00
Supplemental Restraint System (Air Bag)	3234.0-00
Windshield Wiper Control (SWS) (ZKE)	6160.0-00
Windshield Washer Jet Heaters	6169.0-00
Windshield Wiper Pressure Control (ADV) (ZKE)	6164.0-00

Schematics

The schematics divide the entire vehicle electrical system into individual circuits. Interacting electrical components are shown on one common schematic.

Switches and other components are represented in such a way that their general layout and function are self-explicit.

Important: The components and wires are not drawn to scale. For instance, a lead with a length of over 1 m can be shown as a lead which is only a few cm long.

Section 7000.0 **Component Location Chart** has all important connectors, ground points and components listed in tabular form. It provides a precise description of the component locations in the vehicle.

Section 7100.0 **Component Location Views** shows the locations of connectors and components which are difficult to localize in photographs. *-This section is not included in the first issue and will be supplied as a supplement.-*

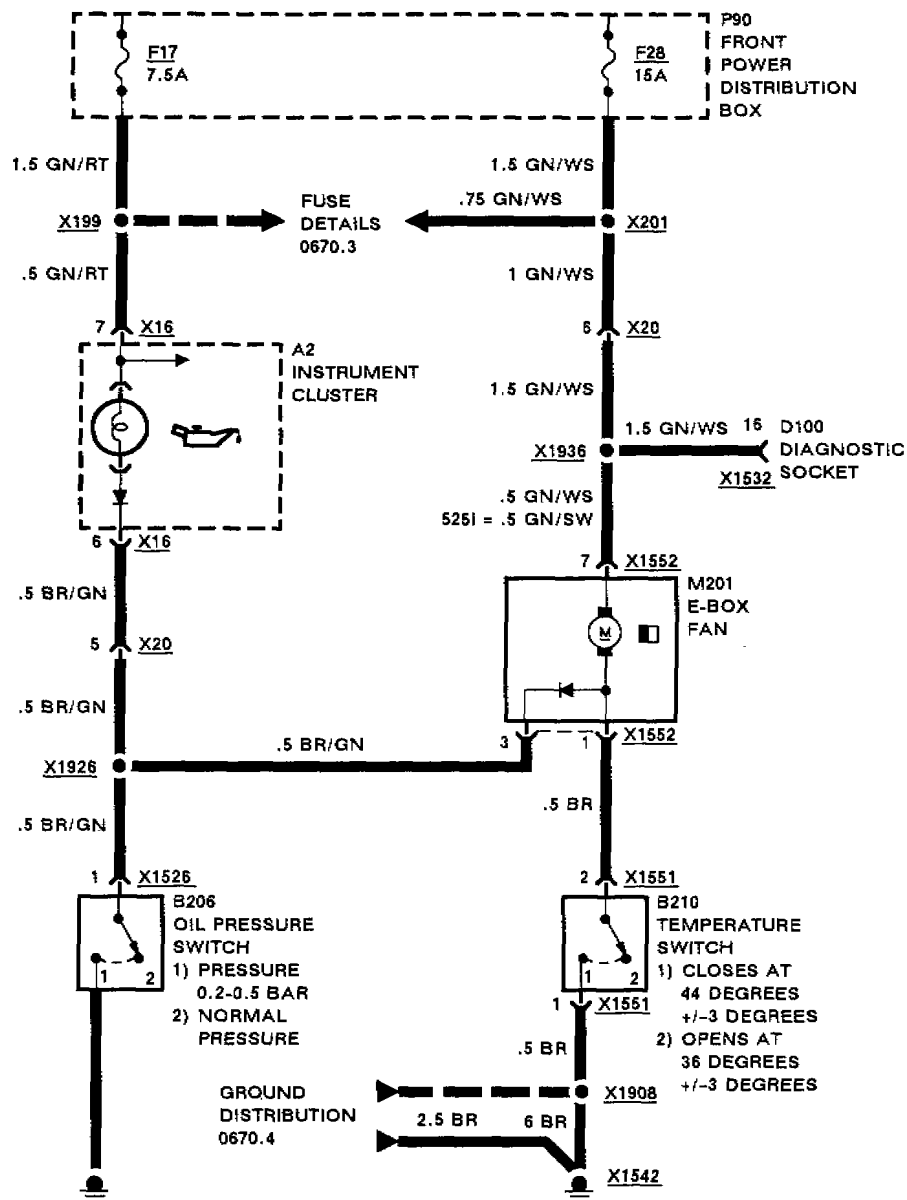
Section 8500.0 **Connector Views** provides diagrams of all connectors with more than three units.

Example

The following example shows how to read the schematic of the E-box fan.

The diagnostic procedure number for the E-box fan is listed in the index.

The schematic shows the following: (see schematic example)



With the ignition on (terminal 15), voltage is applied via fuse F28 at pin 2 of the E-box fan and via fuse F17 at pin 7 of the instrument cluster. When the temperature switch closes at a temperature above 44 °C, or the oil pressure switch at a pressure below 0.2 bar, ground is switched through to the E-box fan. The power circuit is closed and the fan operates. When the oil pressure switch is closed (oil pressure too low), ground is additionally connected to pin 6 of the instrument cluster and the oil pressure warning lamp lights in the instrument cluster.

General conventions can be explained based on this schematic example.

General conventions

1. Switches are always shown in rest position (e.g. B206 and B210).
2. A component shown in a dashed frame signifies that the component is illustrated only in part (e.g. P90 and A2).
3. A component shown in a completely drawn frame signifies that the component is illustrated in full (e.g. M201, B206 and B210).

4. The dashed line between pin 1 and pin 3 at connector X1552 indicates that both pins belong to connector X1552.
5. The dashed line with an arrow at connector X199 indicates that several wires lead to connector X199. All lines leading to a connection are illustrated in section 0670.3 Fuse Details.
6. The uninterrupted line with an arrow at connector X201 indicates that the 0.75 GN/WS wire leads to another circuit. Section 0670.3 Fuse Details shows to which circuit the wire belongs.
7. The dashed lines with arrows at connections X1908 and X1542 indicate that ground is applied. Refer to section 0670.4 Ground Distribution for complete illustration of the line layout. The dashed line to connector X1908 also indicates that several wires lead to this connection.

A complete list of all symbols used can be found in section **0140.0 Symbols**.

TROUBLESHOOTING PROCEDURES

Diagnostic procedures for many of the circuits in this manual are included with the schematics. These procedures are based on a logical problem-solving method. The steps listed below are provided for those circuits that do not include diagnostic procedures. Following these steps will enable you to make a quick diagnosis of the problem.

1. Verify the Problem

Operate the problem circuit to check the accuracy of the complaint. Note the symptoms of the inoperative circuit.

2. Analyze the Problem

Refer to the schematic of the problem circuit in the ETM. Determine how the circuit is supposed to work by tracing the current path(s) from the power feed through the circuit components to ground. Then, based on the symptoms you noted in step 1 and your understanding of circuit operation, identify one or more causes of the problem.

3. Isolate the Problem

Make circuit tests to prove or disprove the preliminary diagnosis made in step 2. Keep in mind that a logical, simple procedure is the key to efficient troubleshooting. Test for the most likely cause of failure first. Try to make tests at points which are easily accessible.

4. Repair the Problem

Once the specific problem is identified, make the repair using the proper tools and safe procedures.

5. Check the Problem

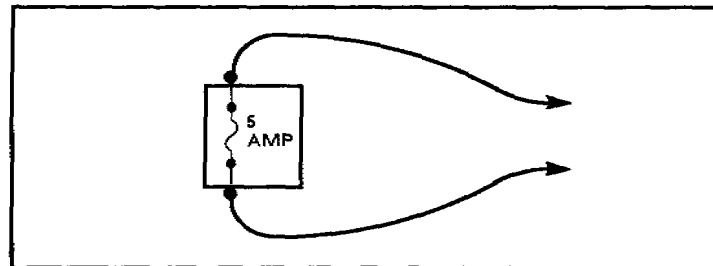
Operate the circuit to check for satisfactory circuit operation. Good repair practice calls for rechecking all circuits you have worked on.

TROUBLESHOOTING TOOLS

Isolating the problem (Step 3 of TROUBLESHOOTING PROCEDURES) requires the use of a voltmeter and/or ohmmeter. A voltmeter measures voltage at selected points in a circuit. An ohmmeter measures a circuit's resistance to current flow. It has an internal battery that provides current to the circuit under test. Disconnect the car battery when using an ohmmeter because the battery voltage will cause the ohmmeter to give false readings. Also, do not use an ohmmeter on solid-state components. The voltage that the ohmmeter applies to the circuit could damage these components.

Fused Jumper Wire

A jumper wire is made up of an in-line fuse holder connected to a set of test leads. It should have a five ampere fuse. Use it for bypassing open circuits. Never use a jumper wire across any load (motors, etc.). This direct battery short will blow the fuse.



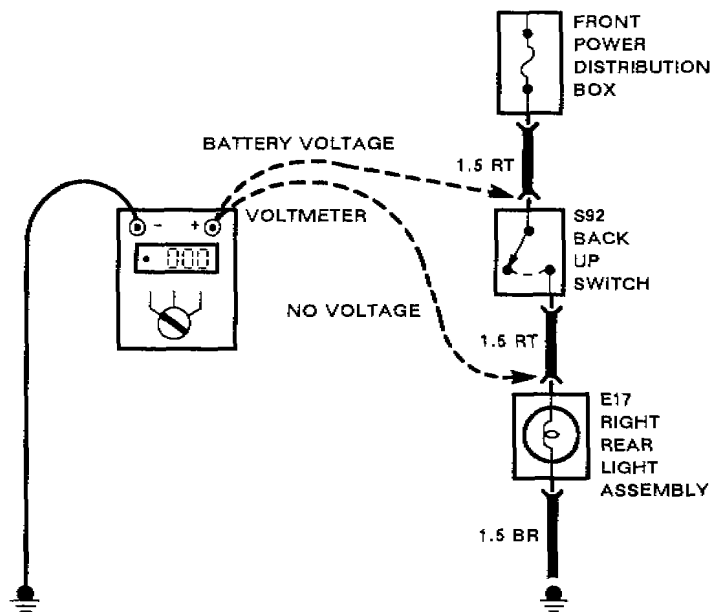
Fused Jumper Wire

TROUBLESHOOTING TESTS

Voltage Test

This test measures voltage in a circuit. By taking measurements at several points (terminals or connectors) along the circuit, you can isolate the problem.

To take a voltage measurement, connect the negative lead of the voltmeter to the battery's negative terminal or other known good ground. Then connect the positive lead of the voltmeter to the point you want to test. The voltmeter will measure the voltage present at that point in the circuit.

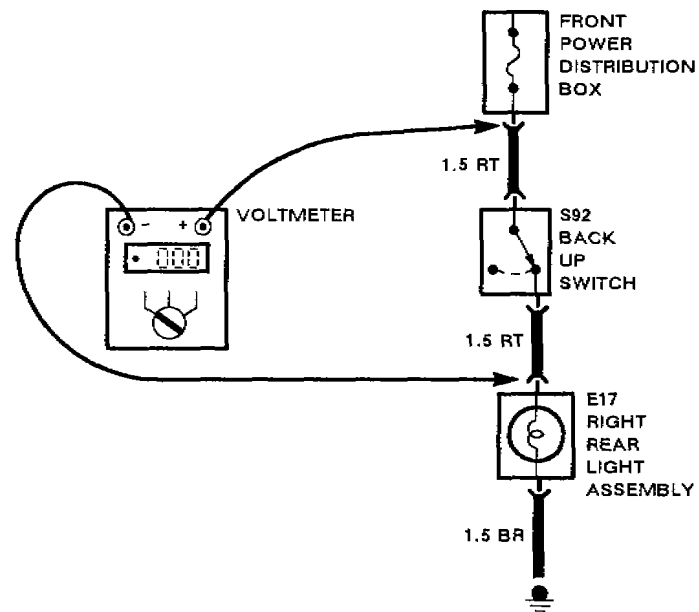


Voltage Test

Voltage Drop Test

Wires, connectors and switches are designed to conduct current with a minimum loss of voltage. A voltage drop of more than one volt indicates a problem.

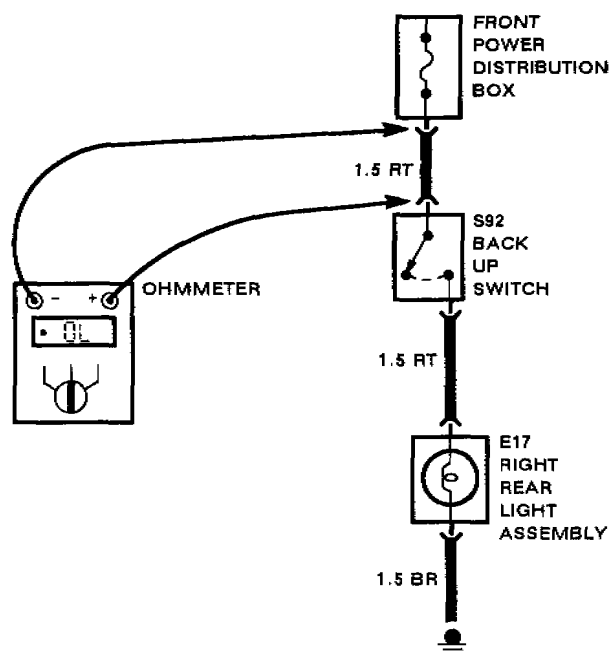
To test for voltage drop, connect the voltmeter leads to connectors at either end of the circuit's suspected problem area. The positive lead should be connected to the connector closest to the power source. The voltmeter will show the voltage drop between these two points. Any switches in the circuit should be on during this test.



Voltage Drop Test

Continuity Test

To perform a continuity test, first disconnect the car battery. Then, while holding the leads together, adjust the ohmmeter to read zero. Connect the ohmmeter leads to connector or terminals at either end of the circuit's suspected problem area. The ohmmeter will show the resistance across that part of the circuit.

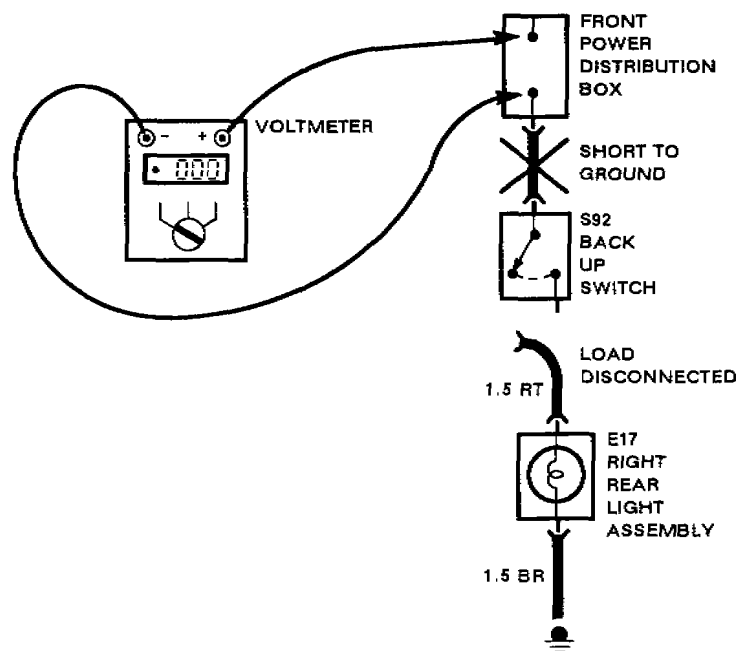


Continuity Test

Short Test Using Voltmeter

To locate a wiring short to ground, remove the blown fuse and disconnect the load. Connect the voltmeter leads to the fuse terminals. The positive lead should be connected to the terminal closest to the power source.

Starting near the FRONT POWER DISTRIBUTION BOX, move the wire harness back and forth and watch the voltmeter reading. If the voltmeter registers a reading, there is a short to ground in the wiring. Somewhere in the area of the harness being moved, the wire insulation is worn away and the circuit is grounding.



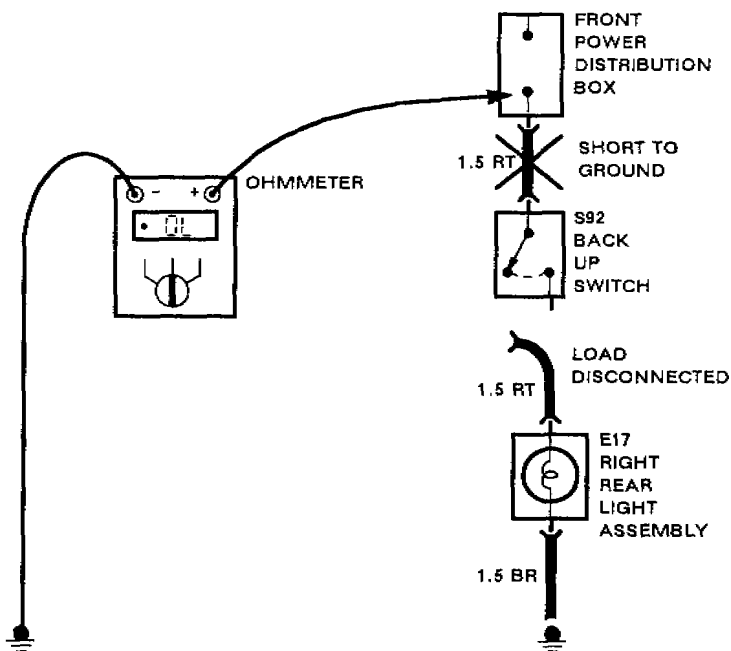
Short Test Using Voltmeter



SYSTEMATIC TROUBLESHOOTING

Short Test Using Ohmmeter

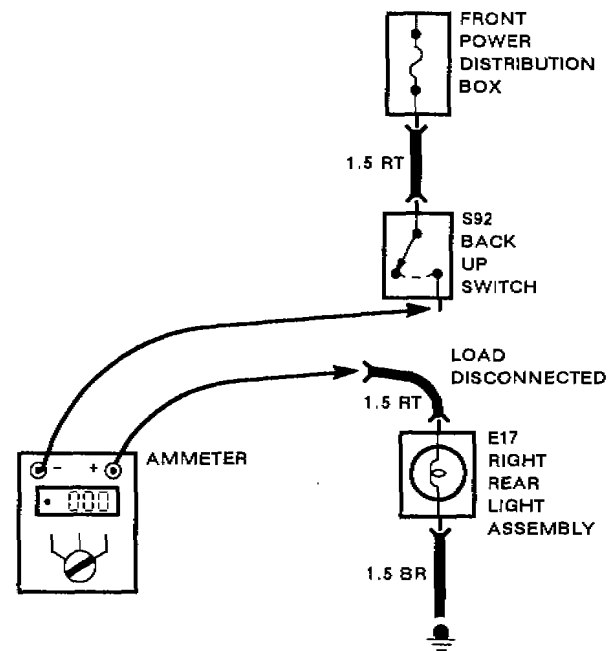
Disconnect the battery. While holding the leads together, adjust the ohmmeter to read zero. Remove the blown fuse and disconnect the load. Connect one lead of the ohmmeter to the fuse terminal that is closest to the load. Connect the other lead to a known good ground. Starting near the FRONT POWER DISTRIBUTION BOX, move the wire harness back and forth and watch the ohmmeter reading. Low or no resistance indicates a short to ground in the wiring. Infinitely high resistance indicates no short.



Short Test Using Ohmmeter

Current Test Using Ammeter

To measure the current, connect the ammeter leads to the connector or terminals in series with the circuit. The ammeter will show the current through the circuit.



Current Test Using Ammeter

Wiring test with analogscope

Measuring Instrument: BMW SERVICE TESTER

Test leads: FREQ OFF (+), blue
 Terminal 1, black
 D+, blue

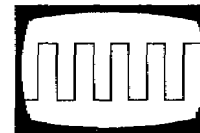
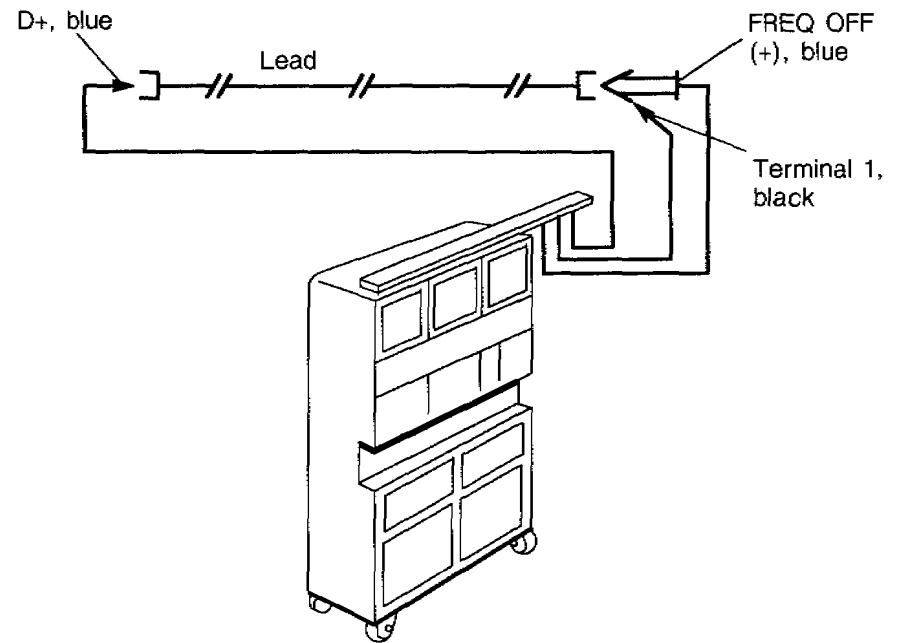
Interruptions which occur briefly are measured. Connect universal test lead and leads for frequency testing to the BMW SERVICE TESTER.

A frequency is applied via the end of the wire to be tested. It is then measured with the analogscope at the other end. Move the wire harness back and forth during testing.

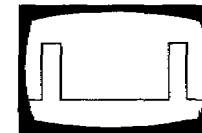
If the wire is OK, the analogscope will indicate a square wave signal with a uniform progression. In the case of fault, the signal will be unevenly interrupted.

Operation: **[M]** for multimeter, 22 for analogscope, 13 for frequency output. Apply any frequency and then press acknowledgement button twice.

Wiring test with analogscope



Correct display on analog scope



Display when a break occurs

Potentiometer test with analogscope

Measuring Instrument: BMW SERVICE TESTER

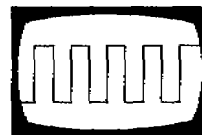
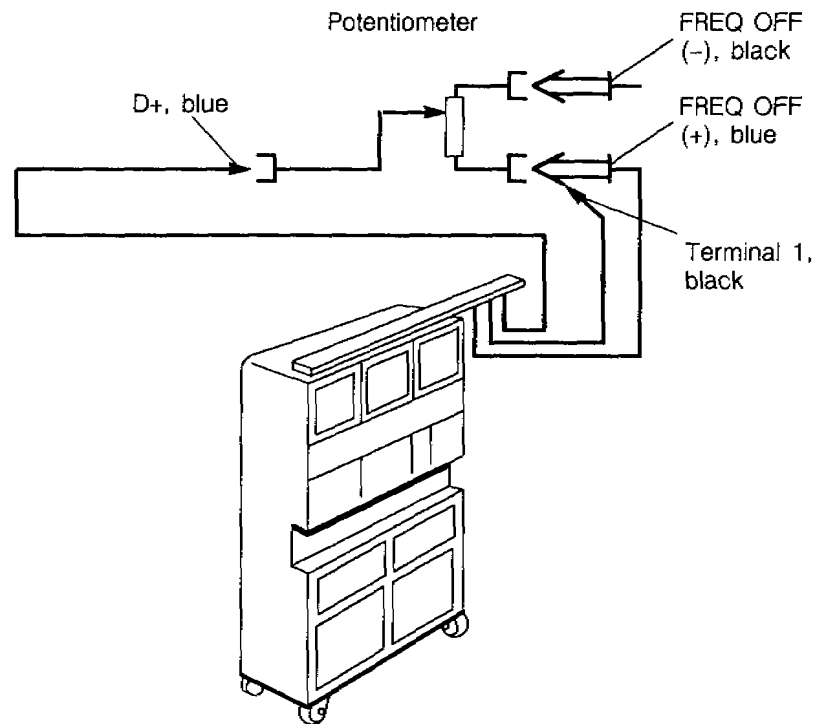
Test leads: FREQ OFF (+), blue
 FREQ OFF (-), black
 Terminal 1, black
 D+, blue

Similar to the wiring test with the analogscope. In this case, however, the measurement is read off at the wiper tap.

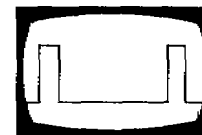
To conduct the test, move the potentiometer through its entire measuring range. If the potentiometer is faulty, the square wave signal on the analogscope will be unevenly interrupted.

Operation: [M] for multimeter, 22 for analogscope, 13 for frequency output. Apply any frequency and press acknowledgement button twice.

Potentiometer test with analogscope



Correct display on analog scope



Display when a break occurs

Simulating speed signal

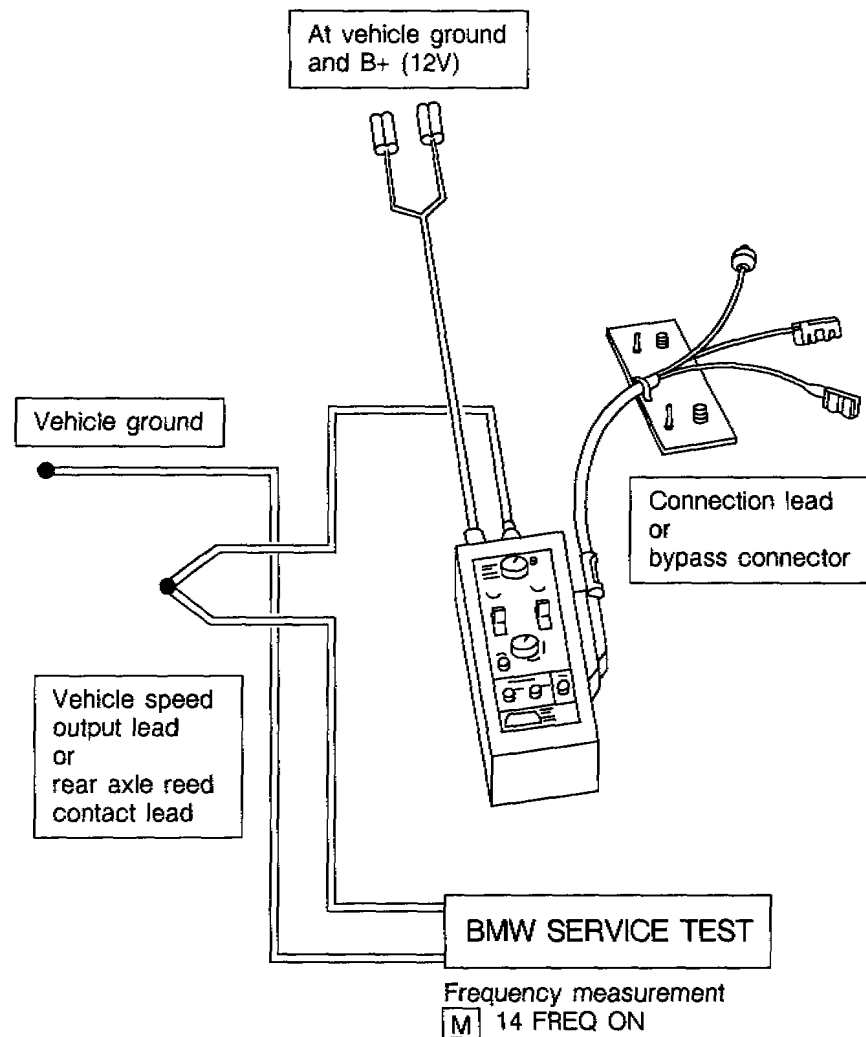
Measuring equipment: BMW Simulator for instrument cluster and BMW SERVICE TESTER

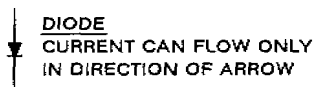
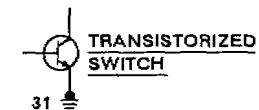
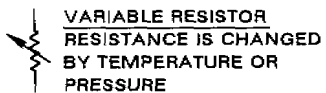
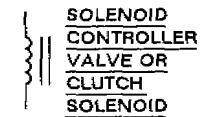
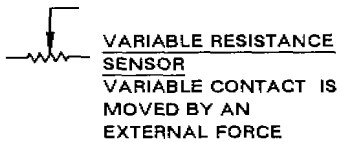
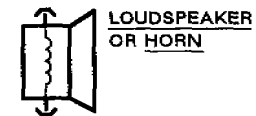
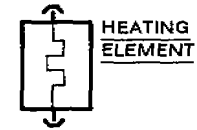
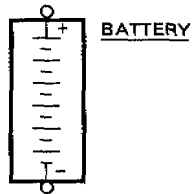
Test leads (tester): FREQ ON (+), yellow
 FREQ ON (-), black

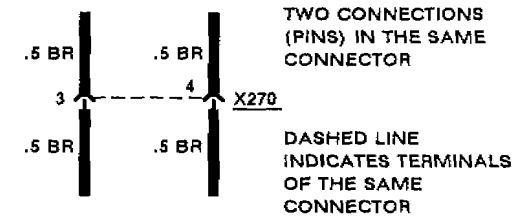
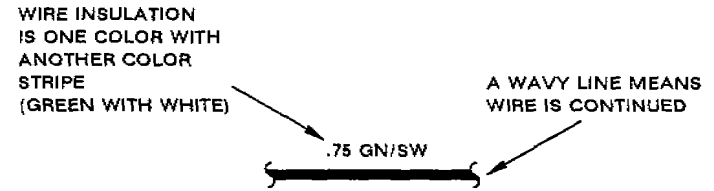
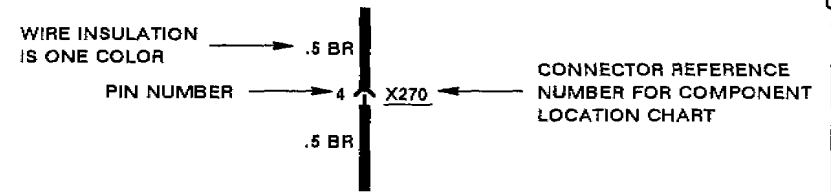
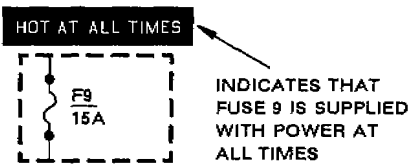
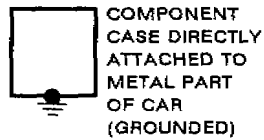
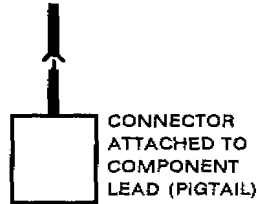
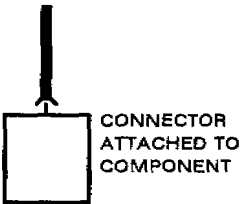
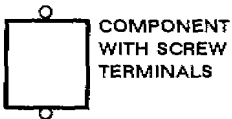
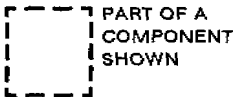
The speed signal can be entered continuously variable with the BMW simulator for the instrument cluster.

Connect 25-pole bypass connector for frequency simulation (or connection lead for instrument test) to the simulator. Connect the power supply lead of the simulator to the vehicle battery. Connect frequency output of the simulator with the vehicle wire for the speed signal (speedometer A-wire or wire at rear axle reed contact). Set frequency at the simulator.

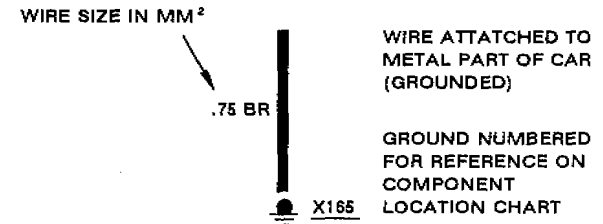
The frequency can also be measured with the BMW SERVICE TESTER. Connect FREQ ON (-) lead to vehicle ground. Connect FREQ ON (+) lead in parallel to the frequency output of the simulator. **M** Select 14 frequency test, the set frequency is indicated.

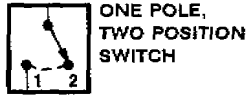




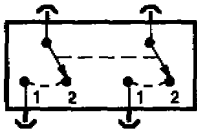


TERMINAL NUMBER	DESCRIPTION
50	VOLTAGE: IGNITION SWITCH IN START
30	VOLTAGE: SUPPLIED AT ALL TIMES
15	VOLTAGE: IGNITION SWITCH IN RUN OR START
15E	VOLTAGE: IGNITION SWITCH IN RUN
R	VOLTAGE: IGNITION SWITCH IN ACCESSORY, RUN OR START

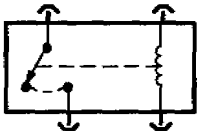




ONE POLE,
TWO POSITION
SWITCH

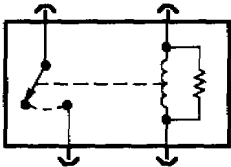


SWITCHES THAT MOVE
TOGETHER
DASHED LINE SHOWS
A MECHANICAL
CONNECTION BETWEEN
SWITCHES

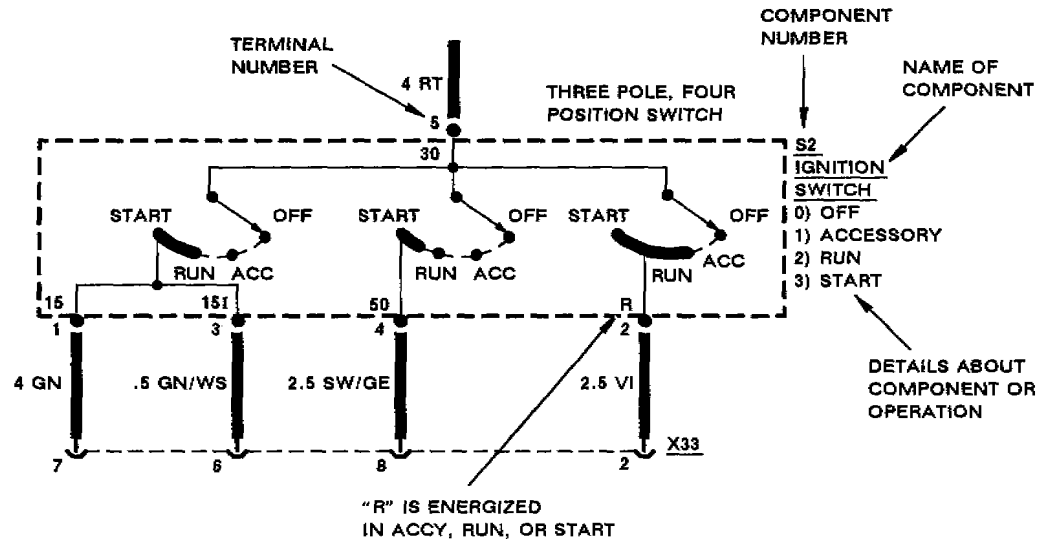


RELAY WITH NO
CURRENT FLOWING
THROUGH COIL

WHEN COIL IS
ENERGIZED, SWITCH
IS PULLED CLOSED

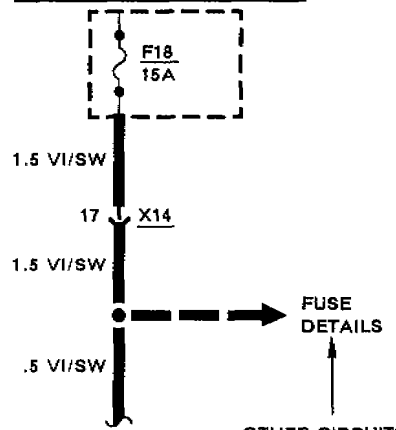


RELAY WITH
RESISTOR ACROSS
COIL

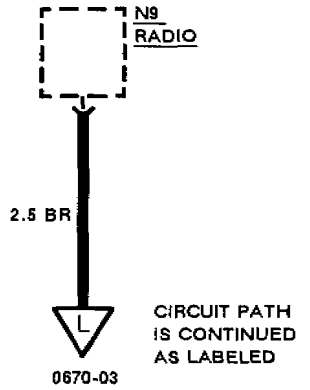
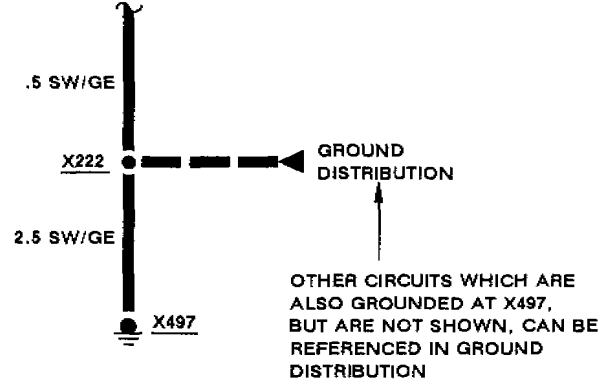


TERMINAL NUMBER	DESCRIPTION
50	VOLTAGE: IGNITION SWITCH IN START
30	VOLTAGE: SUPPLIED AT ALL TIMES
15	VOLTAGE: IGNITION SWITCH IN RUN OR START
15I	VOLTAGE: IGNITION SWITCH IN RUN
R	VOLTAGE: IGNITION SWITCH IN ACCESSORY, RUN, OR START

HOT IN ACCY RUN OR START

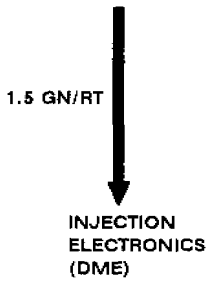


OTHER CIRCUITS WHICH SHARE FUSE 18, BUT ARE NOT SHOWN, CAN BE REFERENCED IN FUSE DETAILS

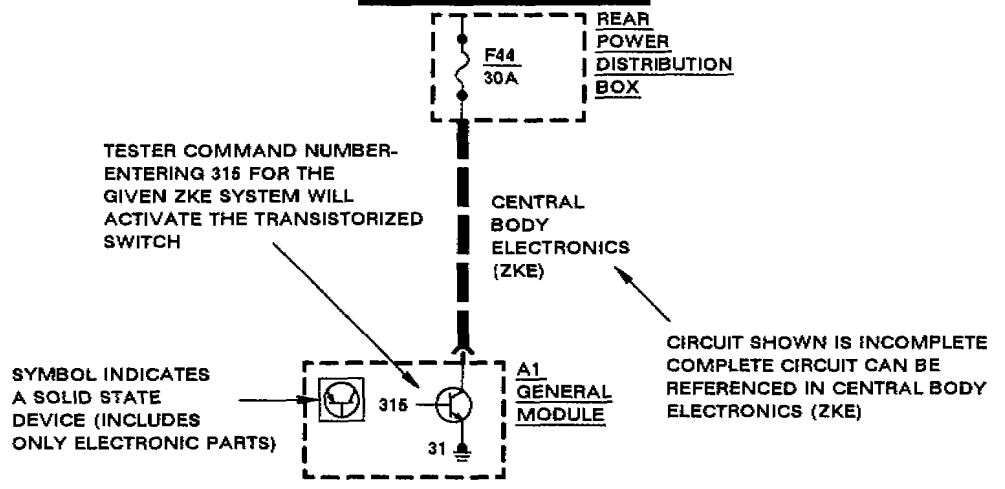


ARROW SHOWS DIRECTION OF CURRENT FLOW AND IS REPEATED WHERE CURRENT PATH CONTINUES

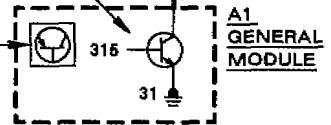
CIRCUIT REFERENCE- A WIRE WHICH CONNECTS TO ANOTHER CIRCUIT



HOT IN ACCY RUN OR START



SYMBOL INDICATES A SOLID STATE DEVICE (INCLUDES ONLY ELECTRONIC PARTS)



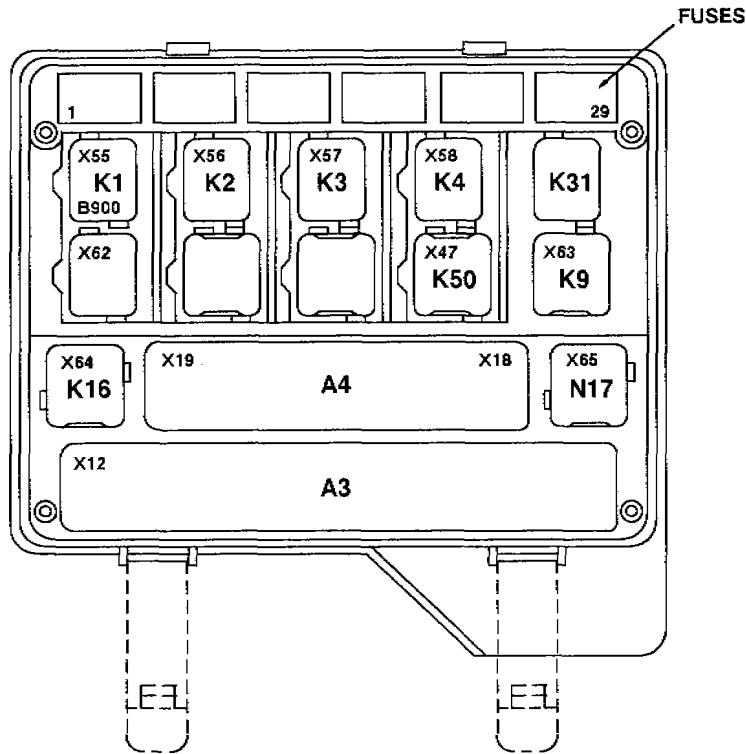
CIRCUIT SHOWN IS INCOMPLETE COMPLETE CIRCUIT CAN BE REFERENCED IN CENTRAL BODY ELECTRONICS (ZKE)



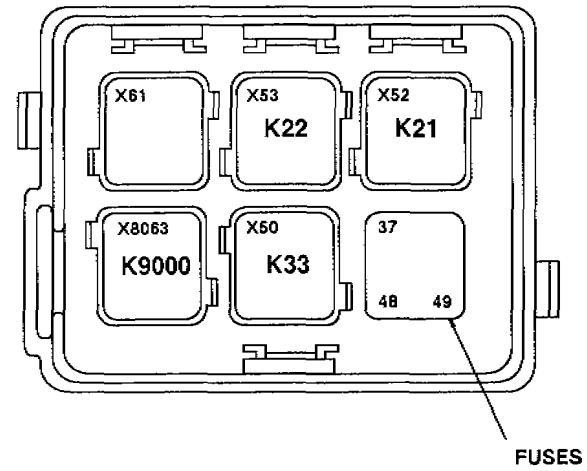
POWER DISTRIBUTION CHARTS

FRONT POWER DISTRIBUTION BOX, AUXILIARY RELAY BOX

P90 FRONT POWER DISTRIBUTION BOX



P92 AUXILIARY RELAY BOX





POWER DISTRIBUTION CHARTS

FRONT POWER DISTRIBUTION BOX, AUXILIARY RELAY BOX

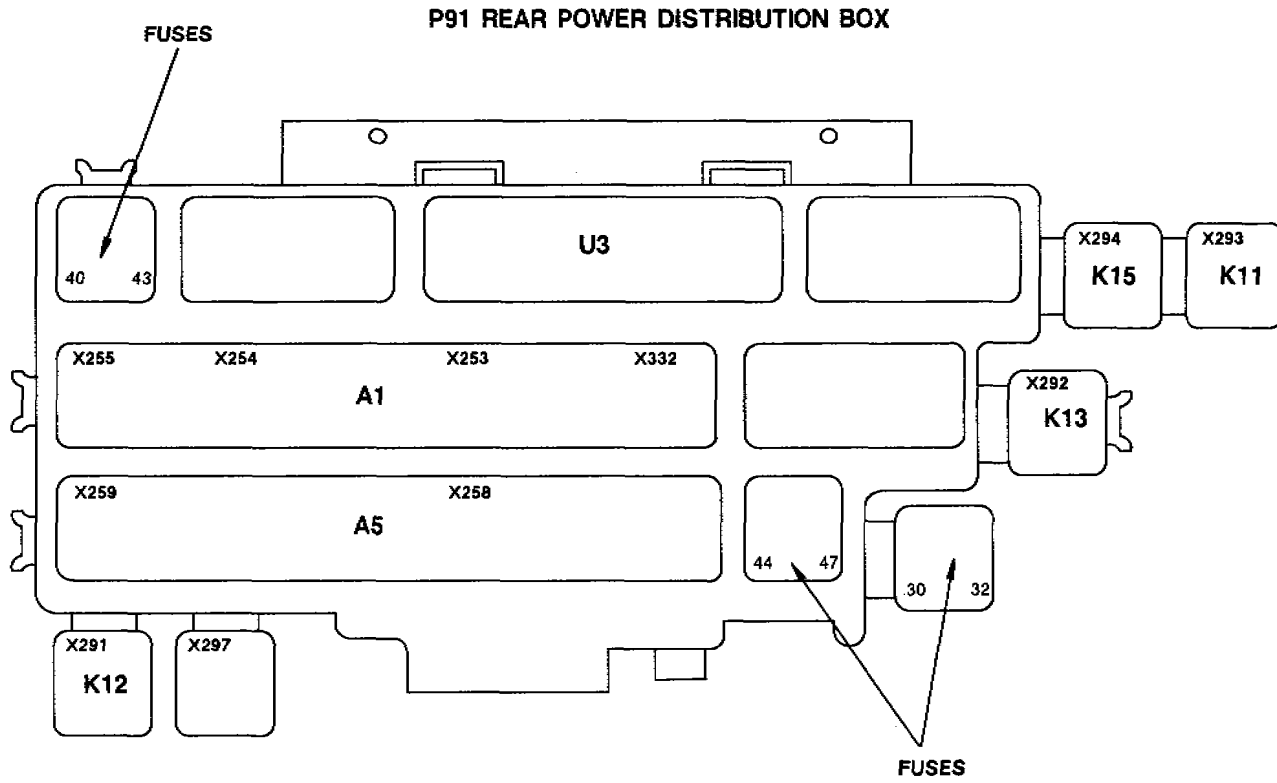
COMPONENTS IN FRONT POWER DISTRIBUTION BOX		
NUMBER	CONNECTOR	DESCRIPTION
A3	X12	LAMP CONTROL MODULE
A4	X18, X19	CHECK CONTROL MODULE
K1	X55	STARTER RELAY
B900	X55	JUMPER PLUG (MANUAL)
K2	X56	HORN RELAY
K3	X57	UNLOADER RELAY, KLR
K4	X58	BLOWER RELAY
	X62	NOT IN U.S.
K9	X63	UNLOADER RELAY, KL 15
K16	X64	HAZARD FLASHER RELAY
K50	X47	WATER PUMP RELAY
K31		PRESENTLY NOT AVAILABLE
N17	X65	CRASH CONTROL UNIT

COMPONENTS IN AUXILIARY RELAY BOX		
NUMBER	CONNECTOR	DESCRIPTION
K21	X52	NORMAL SPEED RELAY
K22	X53	HIGH SPEED RELAY
K33	X50	AIR CONDITIONING RELAY
K9000	X8063	PHONE HORN ALERT RELAY (WITH CELLULAR TELEPHONE PROVISIONS)
	X61	NOT IN U.S.



POWER DISTRIBUTION CHARTS

REAR POWER DISTRIBUTION BOX





POWER DISTRIBUTION CHARTS

REAR POWER DISTRIBUTION BOX

COMPONENTS IN REAR POWER DISTRIBUTION BOX		
NUMBER	CONNECTOR	DESCRIPTION
A1	X253, X254 X255, X332	GENERAL MODULE
A5	X258, X259	RELAY MODULE
K11	X293	WIPER RELAY
K12	X291	WIPER PRESSURE CONTROL RELAY (ADV)
K13	X292	REAR DEFOGGER RELAY
K15	X294	ELECTRIC POWER PROTECTION RELAY
U3	X8062	TRANSCIVER TELEPHONE IF EQUIPPED
	X297	NOT IN U.S.



FUSE CHARTS

FUSE	CIRCUIT PROTECTED
F1 15A	3450.0 ABS Antilock Brake System (Also Fuse 17) 6200.0 Instrument Cluster Check Control (K/CC) (Also Fuses 15,17, 20) 6301.0 Lamp Monitor (LKM) (Also Fuses 2, 3, 4, 5, 7, 10, 11, 13, 14, 15) 6325.0 Brake Lights (Also Fuse 15) 6571.0 Cruise Control (Tempomat) (Also Fuse 17)
F2 7.5A	6300.0 Light Switch Details (Also Fuses 3, 4, 5, 24) 6301.0 Lamp Monitor (LKM) (Also Fuses 1, 3, 4, 5, 7, 10, 11, 13, 14, 15) 6312.0 Headlights/Fog Lights (Also Fuses 3, 5, 7, 10, 11, 13, 14, 37) 6313.0 Turn/Hazard Lights (Also Fuses 3, 6, 13, 14)
F3 7.5A	6100.0 Central Body Electronics (ZKE) (Also Fuses 5, 15, 17, 30, 44, 47) 6300.0 Light Switch Details (Also Fuses 2, 4, 5, 24) 6301.0 Lamp Monitor (LKM) (Also Fuses 1, 2, 4, 5, 7, 10, 11, 13, 14, 15) 6312.0 Headlights/Fog Lights (Also Fuses 2, 5, 7, 10, 11, 13, 14, 37) 6313.0 Turn/Hazard Lights (Also Fuses 2, 6, 13, 14)
F4 7.5A	6300.0 Light Switch Details (Also Fuses 2, 3, 5, 24) 6301.0 Lamp Monitor (LKM) (Also Fuses 1, 2, 3, 5, 7, 10, 11, 13, 14, 15) 6314.0 Park/Tail/Underhood Lights (Also Fuses 5, 15, 20)
F5 10A	6100.0 Central Body Electronics (ZKE) (Also Fuses 3, 15, 17, 30, 44, 47) 6300.0 Light Switch Details (Also Fuses 2, 3, 4, 24) 6301.0 Lamp Monitor (LKM) (Also Fuses 1, 2, 3, 4, 7, 10, 11, 13, 14, 15) 6312.0 Headlights/Fog Lights (Also Fuses 2, 3, 7, 10, 11, 13, 14, 37) 6314.0 Park/Tail/Underhood Lights (Also Fuses 4, 15, 20) 6320.0 License/Trunk Lights (Also Fuses 15, 21) 6330.0 ZKE Interior Lights (Also Fuses 15, 17, 21, 30, 44) 6332.0 Glove Box Light/Cigar Lighter/Charging Plug (Also Fuses 18, 21, 26)
F6 7.5A	6313.0 Turn/Hazard Lights (Also Fuses 2, 3, 13, 14)
F7 15A	6301.0 Lamp Monitor (LKM) (Also Fuses 1, 2, 3, 4, 5, 10, 11, 13, 14, 15) 6312.0 Headlights/Fog Lights (Also Fuses 2, 3, 5, 10, 11, 13, 14, 37)



FUSE CHARTS

FUSE	CIRCUIT PROTECTED
F9 15A	6133.0 Horn
	6450.1 Integrated Climate Regulation (IHKR) (Also Fuses 19, 20, 24, 29, 46)
F10 7.5A	6301.0 Lamp Monitor (LKM) (Also Fuses 1, 2, 3, 4, 5, 7, 11, 13, 14, 15)
	6312.0 Headlights/Fog Lights (Also Fuses 2, 3, 5, 7, 11, 13, 14, 37)
F11 7.5A	6301.0 Lamp Monitor (LKM) (Also Fuses 1, 2, 3, 4, 5, 7, 10, 13, 14, 15)
	6312.0 Headlights/Fog Lights (Also Fuses 2, 3, 5, 7, 10, 13, 14, 37)
F12 15A	5116.0 Power Mirrors
	6169.0 Windshield Washer Jet Heaters
	6322.0 Back Up Lights
F13 7.5A	6301.0 Lamp Monitor (LKM) (Also Fuses 1, 2, 3, 4, 5, 7, 10, 11, 14, 15)
	6312.0 Headlights/Fog Lights (Also Fuses 2, 3, 5, 7, 10, 11, 14, 37)
	6313.0 Turn/Hazard Lights (Also Fuses 2, 3, 6, 13,)
F14 7.5A	6301.0 Lamp Monitor (LKM) (Also Fuses 1, 2, 3, 4, 5, 7, 10, 11, 13, 15)
	6312.0 Headlights/Fog Lights (Also Fuses 2, 3, 5, 7, 10, 11, 13, 37)
	6313.0 Turn/Hazard Lights (Also Fuses 2, 3, 6, 13,)
F15 7.5A	6100.0 Central Body Electronics (ZKE) (Also Fuses 3, 5, 17, 30, 44, 47)
	6160.0 ZKE Windshield Wiper Control (SWS) (Also Fuse 44)
	6164.0 ZKE Windshield Wiper Pressure Control (ADV) (Also Fuses 22, 44)
	6200.0 Instrument Cluster/Check Control (K/CC) (Also Fuses 1, 17, 20)
	6301.0 Lamp Monitor (LKM) (Also Fuses 1, 2, 3, 4, 5, 7, 10, 11, 13, 14)
	6314.0 Park/Tail/Underhood Lights (Also Fuses 4, 5, 20)
	6320.0 License/Trunk Lights (Also Fuses 5, 21)
	6325.0 Brake Lights (Also Fuse 1)
	6330.0 ZKE Interior Lights (Also Fuses 5, 17, 21, 30, 44)
6581.0 On Board Computer (BCIV) (Also Fuses 17, 20)	
F16 30A	5203.0 Heated Seats



FUSE CHARTS

FUSE	CIRCUIT PROTECTED
F17 7.5A	1210.2 Injection Electronics (DME 1.3) (Also Fuse 23) 1230.0 Charging System 1240.0 Start 1290.0 E-Box Fan (Also Fuse 28) 2460.0 Electronic Transmission Control (AEGS) 3450.0 Antilock Brake System (ABS) (Also Fuse 1) 5120.0 ZKE Door Lock Heating (TSH) (Also Fuse 30) 5133.0 ZKE Power Windows (FH) (Also Fuses 30, 31, 47) 5410.0 ZKE Sunroof (SHD) (Also Fuses 30, 31, 47) 6100.0 Central Body Electronics (ZKE) (Also Fuses 3, 5, 15, 30, 44, 47) 6200.0 Instrument Cluster/Check Control (K/CC) (Also Fuses 1, 15, 20) 6330.0 ZKE Interior Lights (IB) (Also Fuses 5, 15, 21, 30, 44) 6571.0 Cruise Control (Tempomat) (Also Fuse 1) 6581.0 On Board Computer (BCIV) (Also Fuses 15, 20)
F18 15A	6332.0 Glove Box Light/Cigar Lighter/Charging Plug (Also Fuses 5, 21, 26) 6510.0 Radio/CD Player (Provisions) (Also Fuse 41) 6561.0 Cellular Telephone (Provisions) (Also Fuses 31 and 48)
F19 30A	6450.1 Integrated Climate Regulation (IHKR) (Also Fuses 9, 20, 24, 29, 46)
F20 7.5A	6200.0 Instrument Cluster/Check Control (K/CC) (Also Fuses 1, 15, 17) 6314.0 Park/Tail/Underhood Lights (Also Fuses 4, 5, 15) 6450.1 Integrated Climate Regulation (IHKR) (Also Fuses 9, 19, 24, 29, 46) 6581.0 On Board Computer (BCIV) (Also Fuses 15, 17)
F21 7.5A	6320.0 License/Trunk Lights (Also Fuses 5, 15) 6330.0 ZKE Interior Lights (IB) (Also Fuses 5, 15, 17, 30, 44) 6332.0 Glove Box Light/Cigar Lighter/Charging Plug (Also Fuses 5, 18, 26)
F22 30A	6164.0 ZKE Windshield Wiper Pressure Control (ADV) (Also Fuses 15, 44)



FUSE CHARTS

FUSE	CIRCUIT PROTECTED
F23 7.5A	1210.2 Injection Electronics (DME 1.3) (Also Fuse 17)
F24 15A	6300.0 Light Switch Details (Also Fuses 2, 3, 4, 5) 6450.1 Integrated Climate Regulation (IHKR) (Also Fuses 9, 19, 20, 29, 46)
F25 30A	6454.0 Auxiliary Fan (Also Fuse 29)
F26 30A	6332.0 Glove Box Light/Cigar Lighter/Charging Plug , (Also Fuses 5, 18, 21)
F28 15A	1290.0 E-Box Fan (Also Fuse 17) 3240.0 Power Assist Steering
F29 7.5A	6450.1 Integrated Climate Regulation (IHKR) (Also Fuses 9, 19, 20, 24, 46) 6454.0 Auxiliary Fan (Also Fuse 25)
F30 7.5A	5120.0 ZKE Door Lock Heating (TSH) (Also Fuse 17) 5126.0 ZKE Central Locking (ZV) (Also Fuses 31, 47) 5133.0 ZKE Power Windows (FH) (Also Fuses 17, 31, 47) 5410.0 ZKE Sunroof (SHD) (Also Fuses 17, 31, 47) 6100.0 Central Body Electronics (ZKE) (Also Fuses 3, 5, 15, 17, 44, 47) 6330.0 ZKE Interior Lights (Also Fuses 5, 15, 17, 21, 44)
F31 7.5A	5126.0 ZKE Central Locking (ZV) (Also Fuses 30, 47) 5133.0 ZKE Power Windows (FH) (Also Fuses 17, 30, 47) 5410.0 ZKE Sunroof (SHD) (Also Fuses 17, 30, 47) 6561.0 Cellular Telephone (Provisions) (Also Fuses 18, 48)
F32 7.5A	NOT USED
F37 5A	NOT USED
F40 15A	NOT USED
F41 30A	6510.0 Radio/CD Player (Provisions) (Also Fuse 18)



FUSE CHARTS

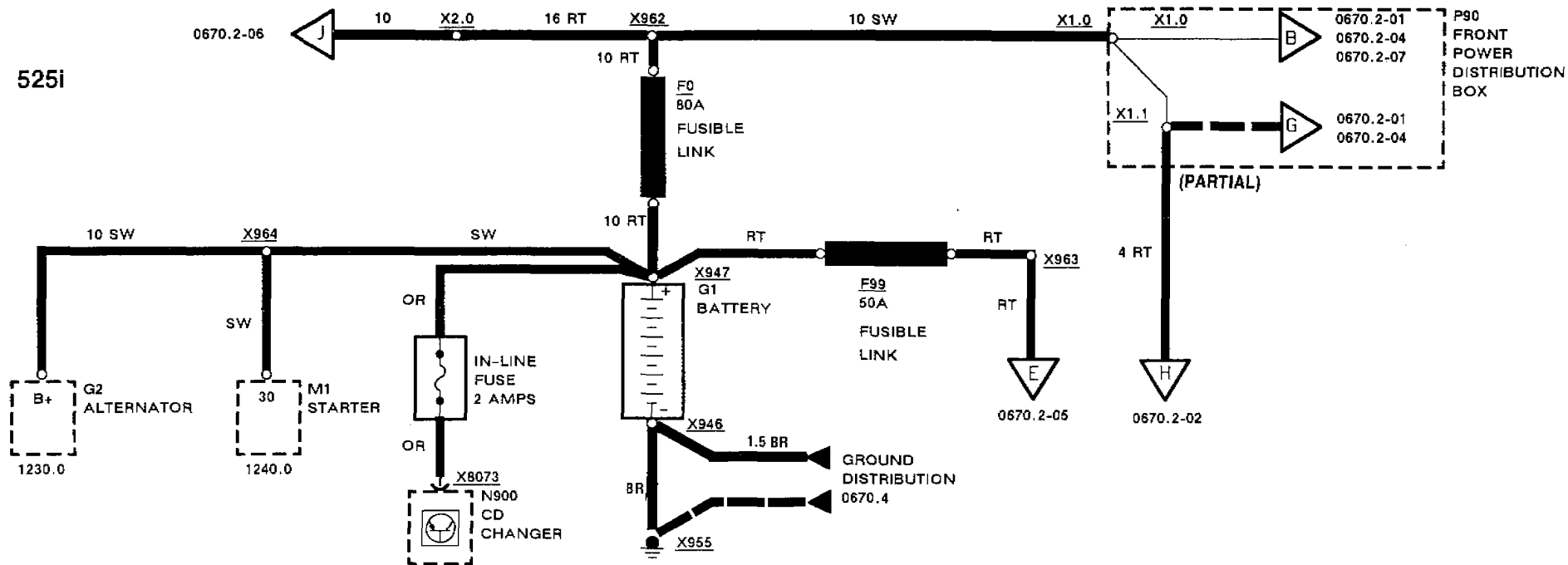
FUSE	CIRCUIT PROTECTED	
F42 30A	5200.0	Power Seats (Also Fuse 43)
F43 30A	5200.0	Power Seats (Also Fuse 42)
F44 30A	6100.0	Central Body Electronics (ZKE) (Also Fuses 3, 5, 15, 17, 30, 47)
	6160.0	ZKE Windshield Wiper Control (SWS) (Also Fuse 15)
	6164.0	ZKE Windshield Wiper Pressure Control (ADV) (Also Fuses 15, 22)
	6330.0	ZKE Interior Lights (IB) (Also Fuses 5, 15, 17, 30)
F46 30A	6450.1	Integrated Climate Regulation (IHKR) (Also Fuses 9, 19, 20, 24, 29)
F47 30A	5126.0	ZKE Central Locking (ZV) (Also Fuses 30, 31)
	5133.0	ZKE Power Windows (FH) (Also Fuses 17, 30, 31)
	5410.0	ZKE Sunroof (SHD) (Also Fuses 17, 30, 31)
	6100.0	Central Body Electronics (ZKE) (Also Fuses 3, 5, 15, 17, 30, 44)
F48 15A	6561.0	Cellular Telephone (Provisions) (Also Fuses 18, 31)
F49	NOT USED	



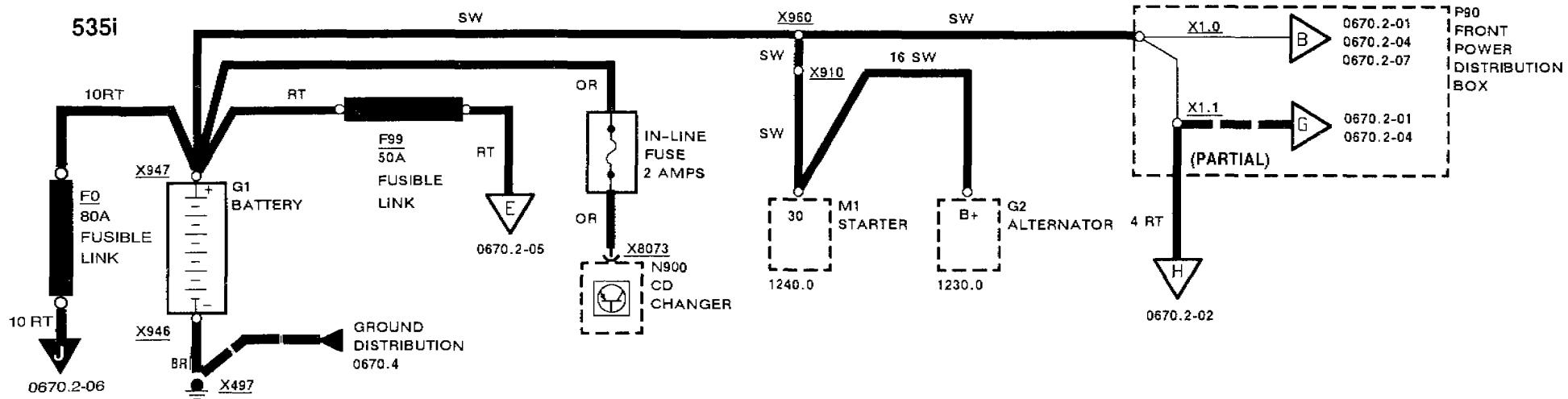
POWER DISTRIBUTION

FRONT POWER DISTRIBUTION BOX

525i



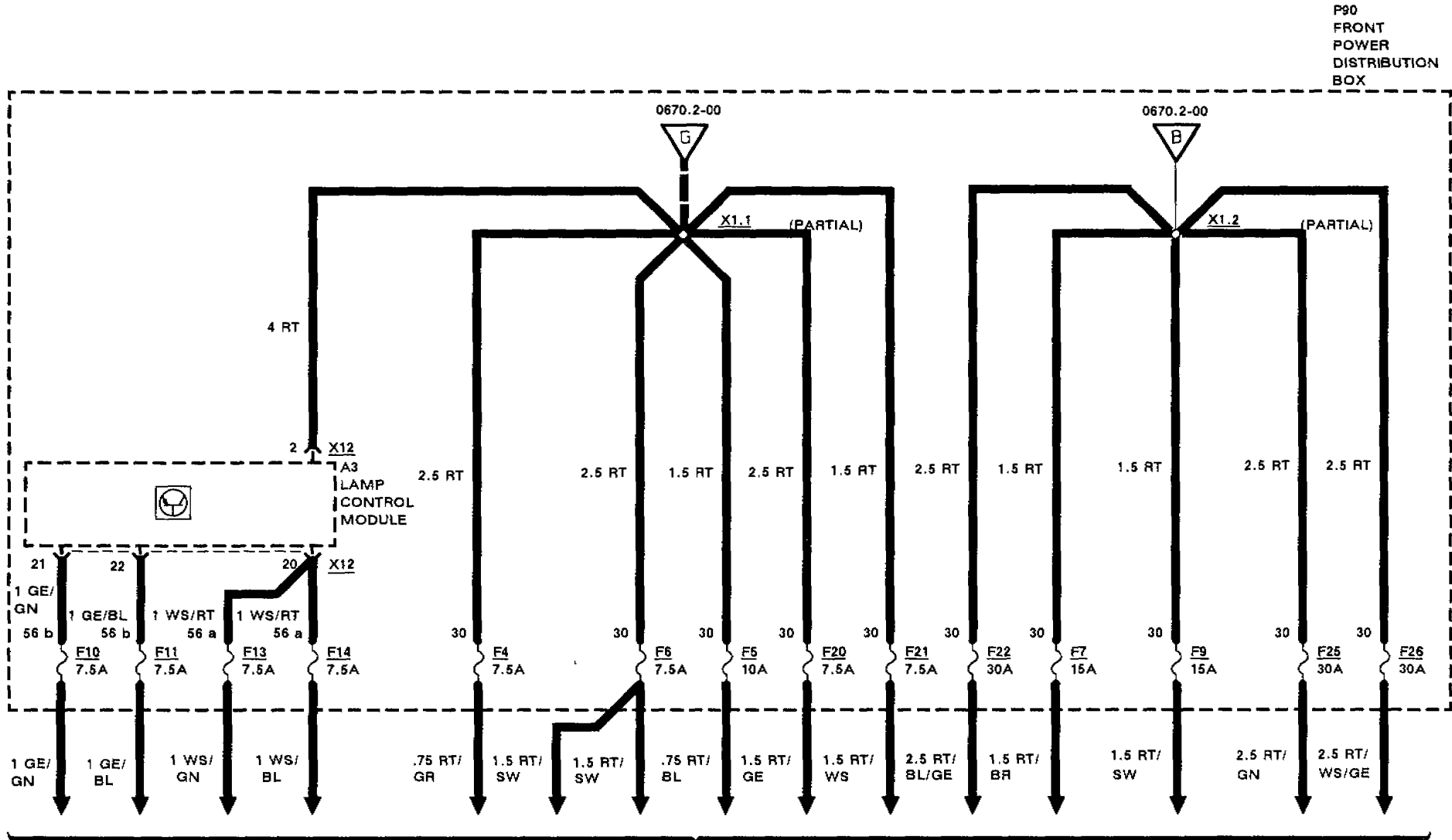
535i





POWER DISTRIBUTION

FRONT POWER DISTRIBUTION BOX



FUSE
DETAILS
0670.3

P90
FRONT
POWER
DISTRIBUTION
BOX



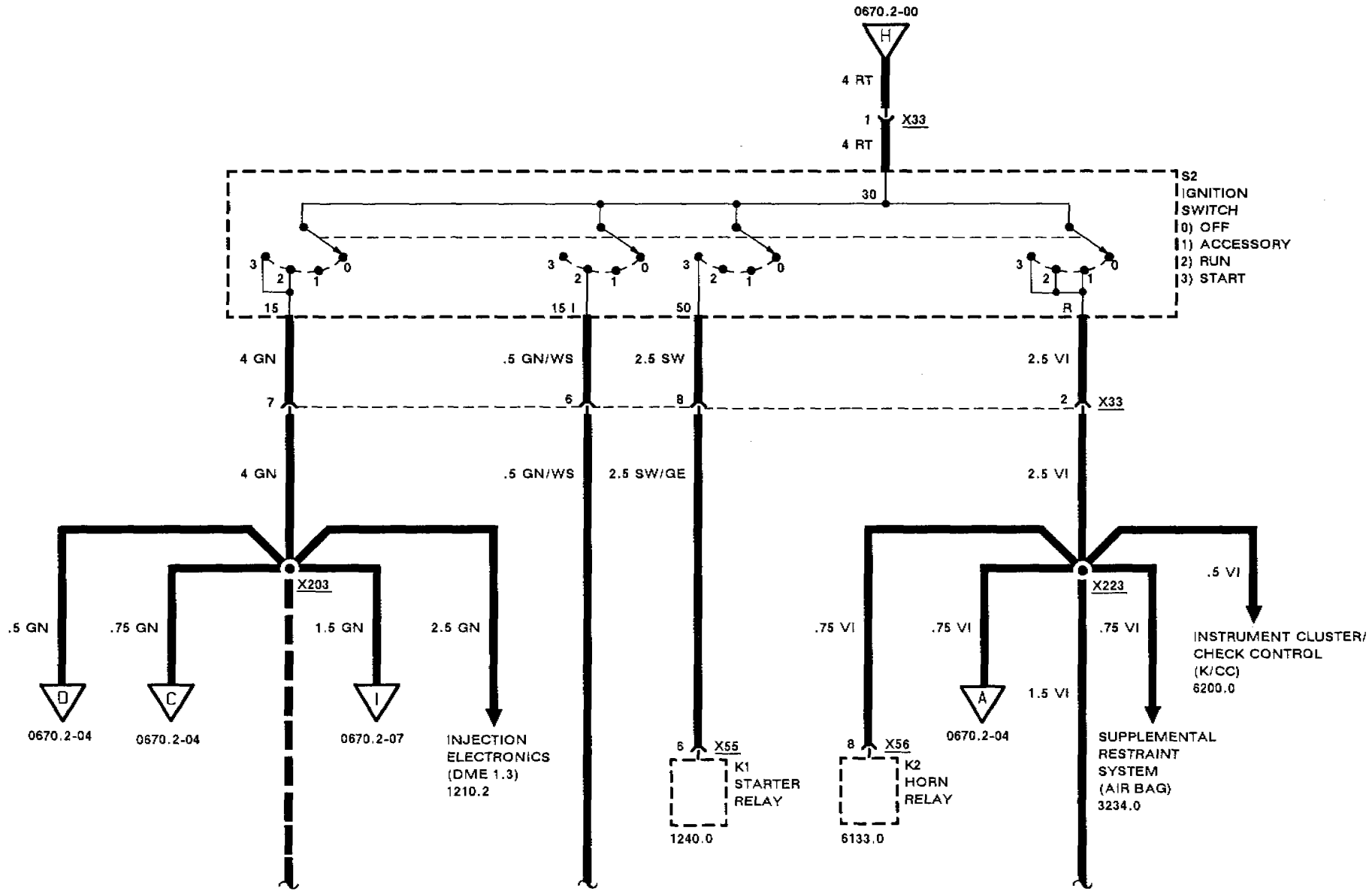
POWER DISTRIBUTION

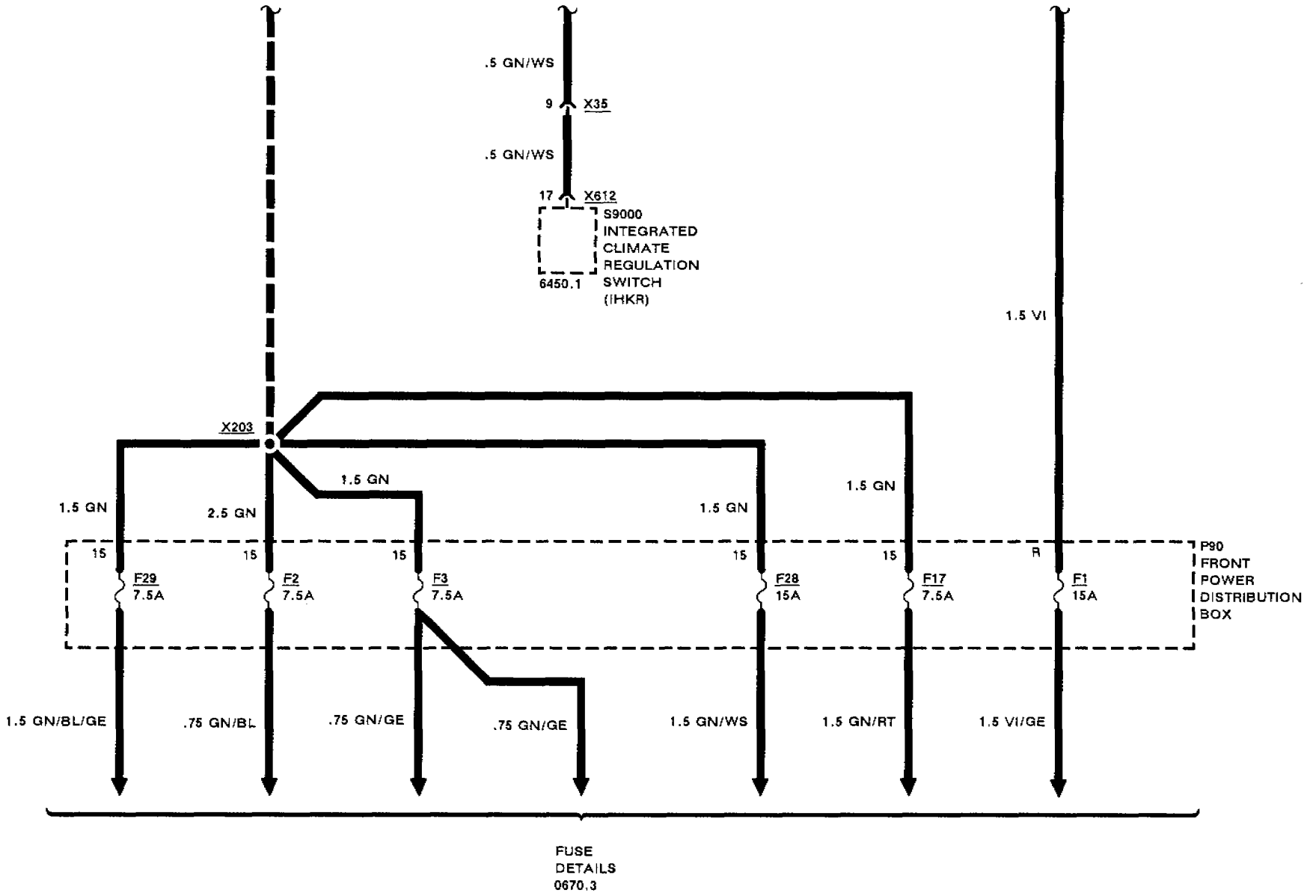
FRONT POWER DISTRIBUTION BOX

2/89

0670.2-02

1989

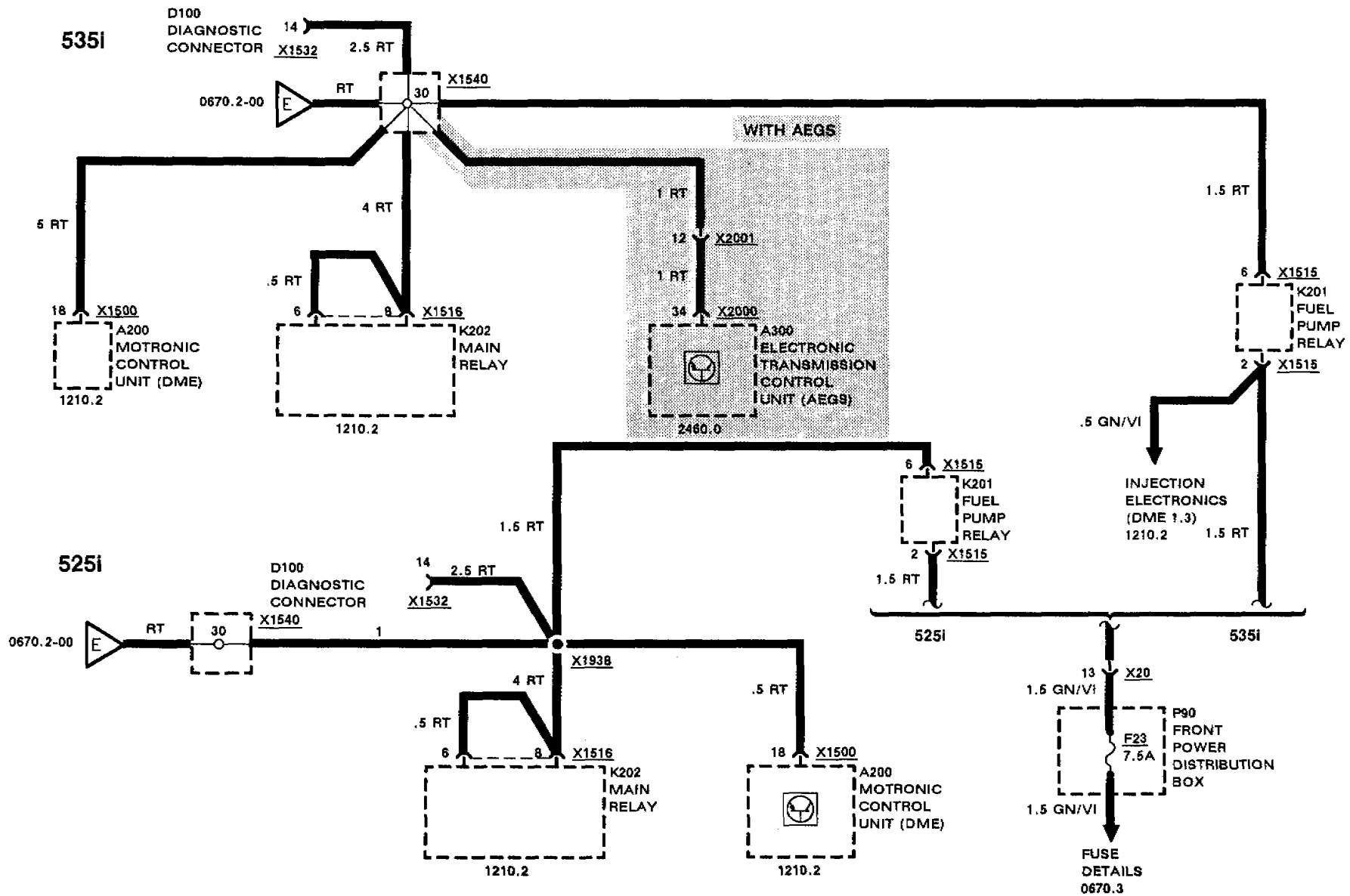






POWER DISTRIBUTION

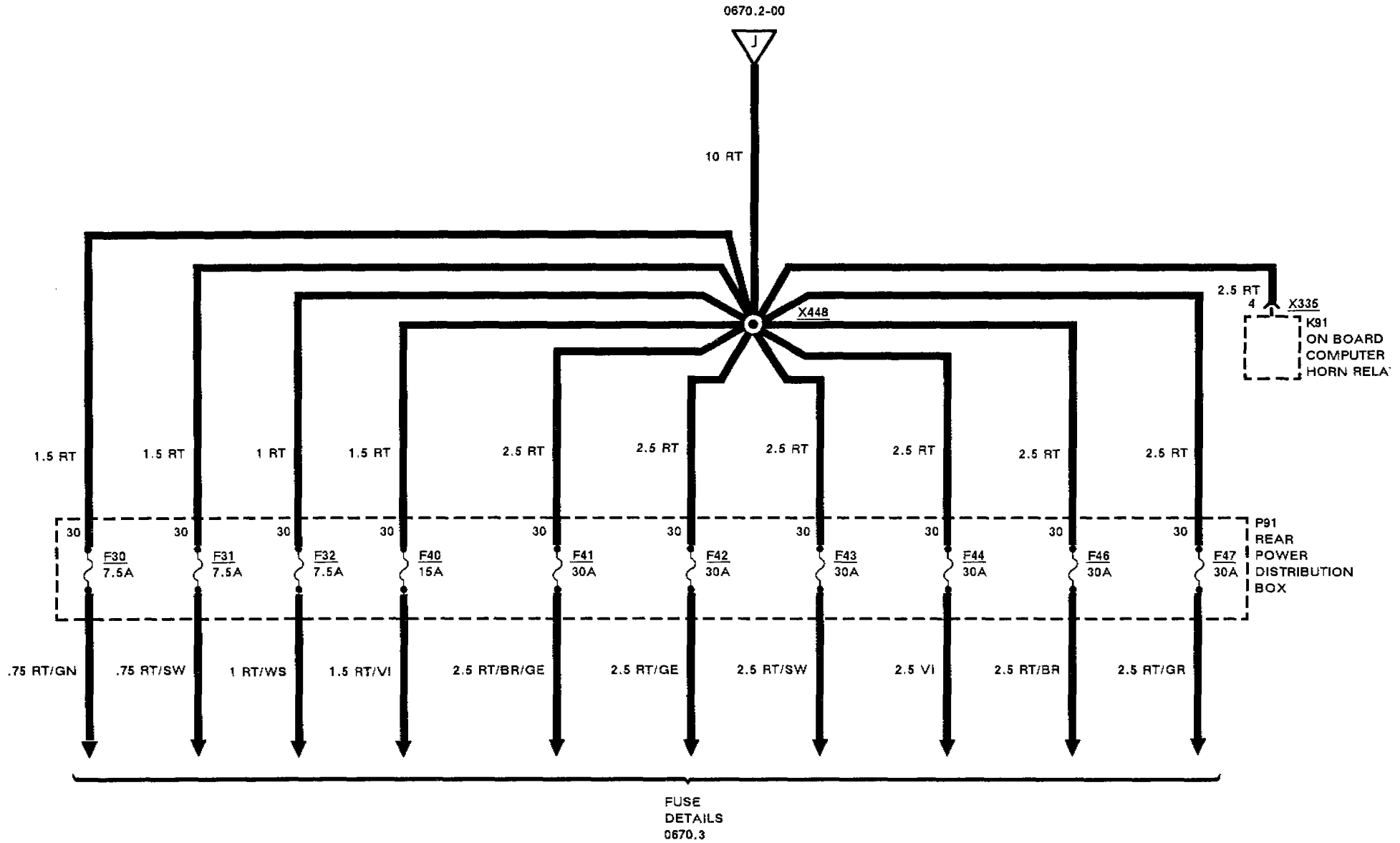
FRONT POWER DISTRIBUTION BOX





POWER DISTRIBUTION

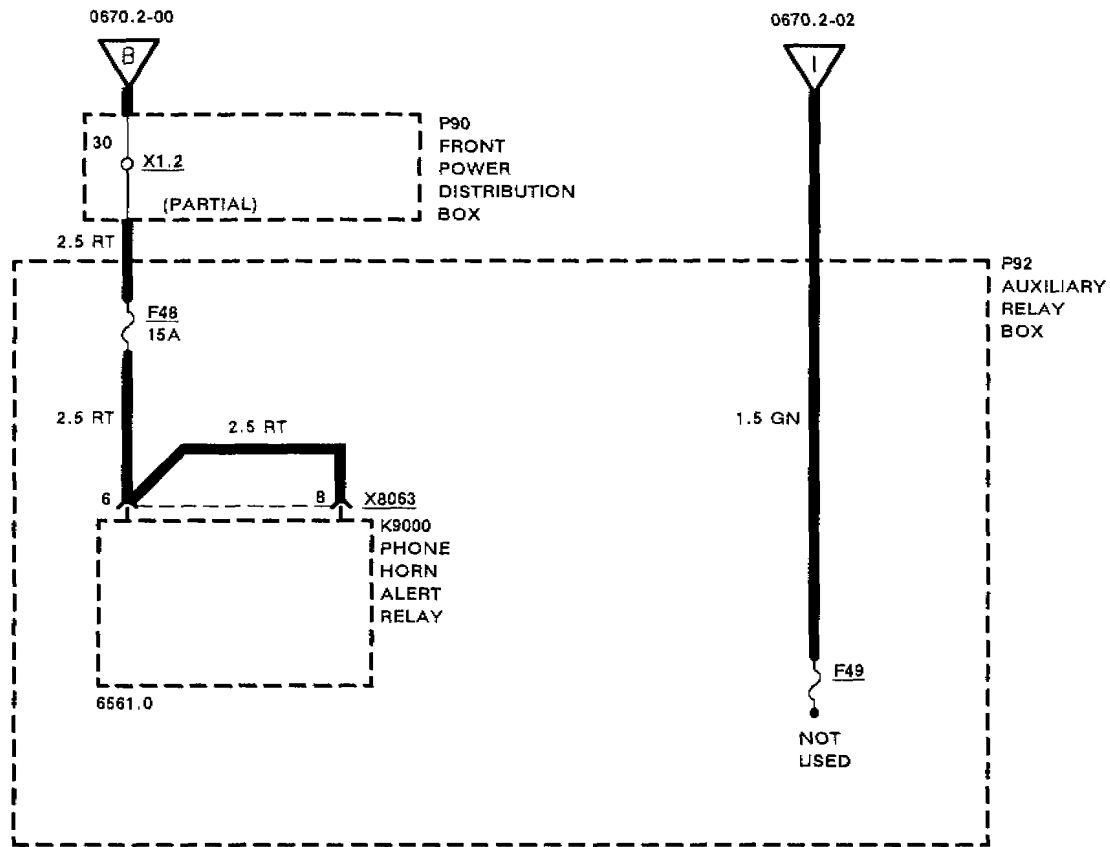
REAR POWER DISTRIBUTION BOX





POWER DISTRIBUTION

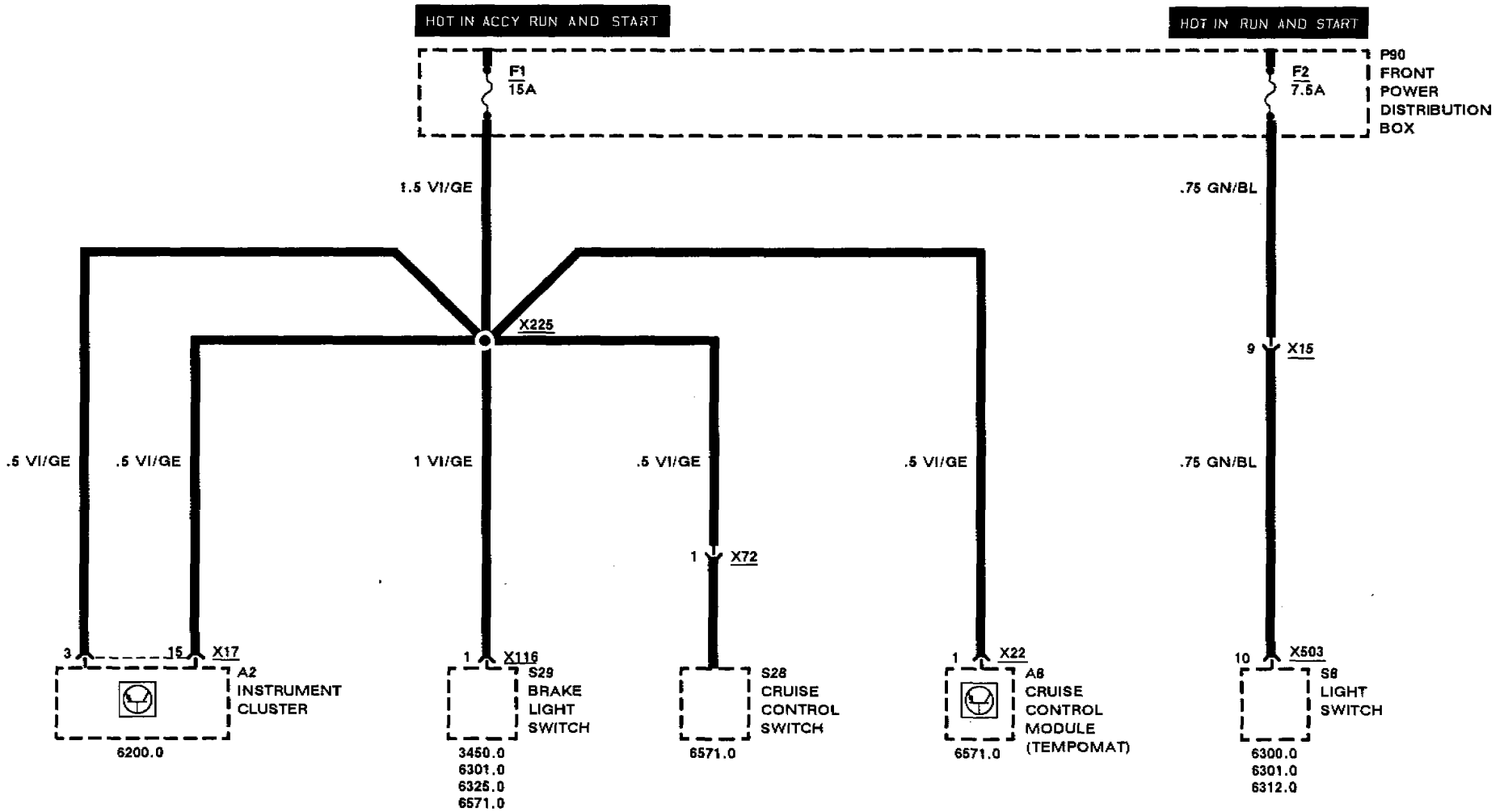
AUXILIARY RELAY BOX





FUSE DETAILS

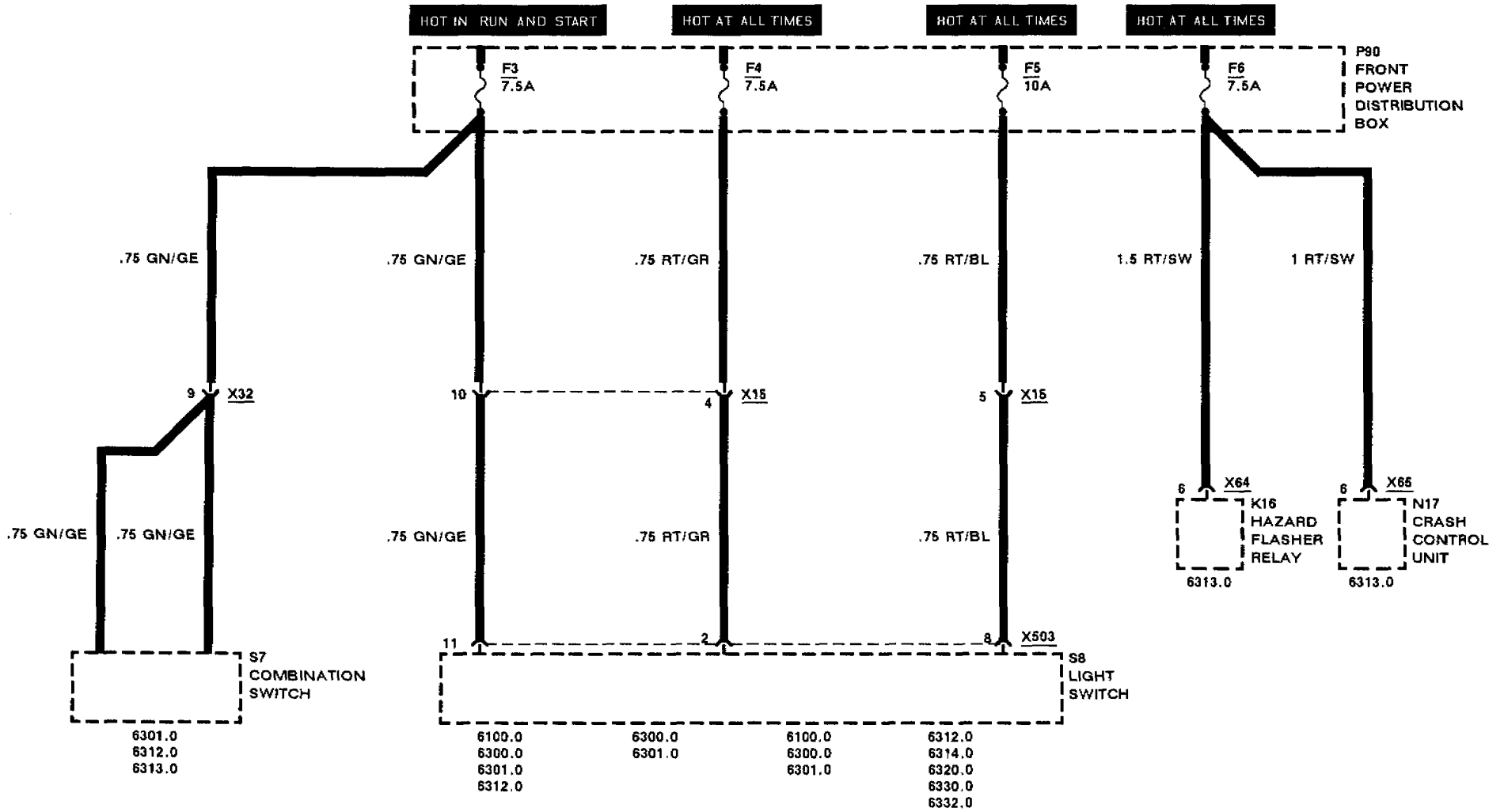
FUSES 1 AND 2





FUSE DETAILS

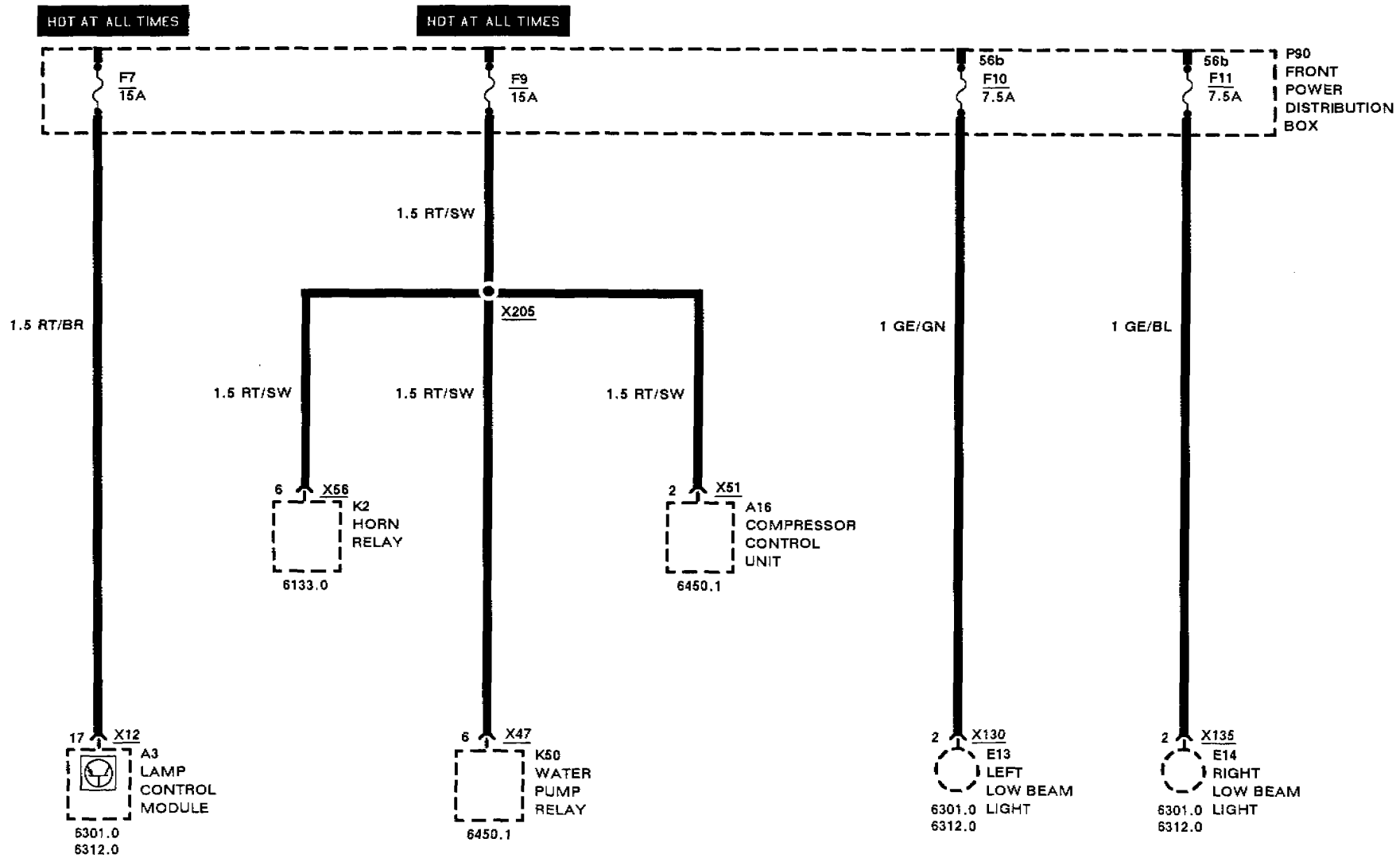
FUSES 3, 4, 5 & 6





FUSE DETAILS

FUSES 7, 9, 10 AND 11

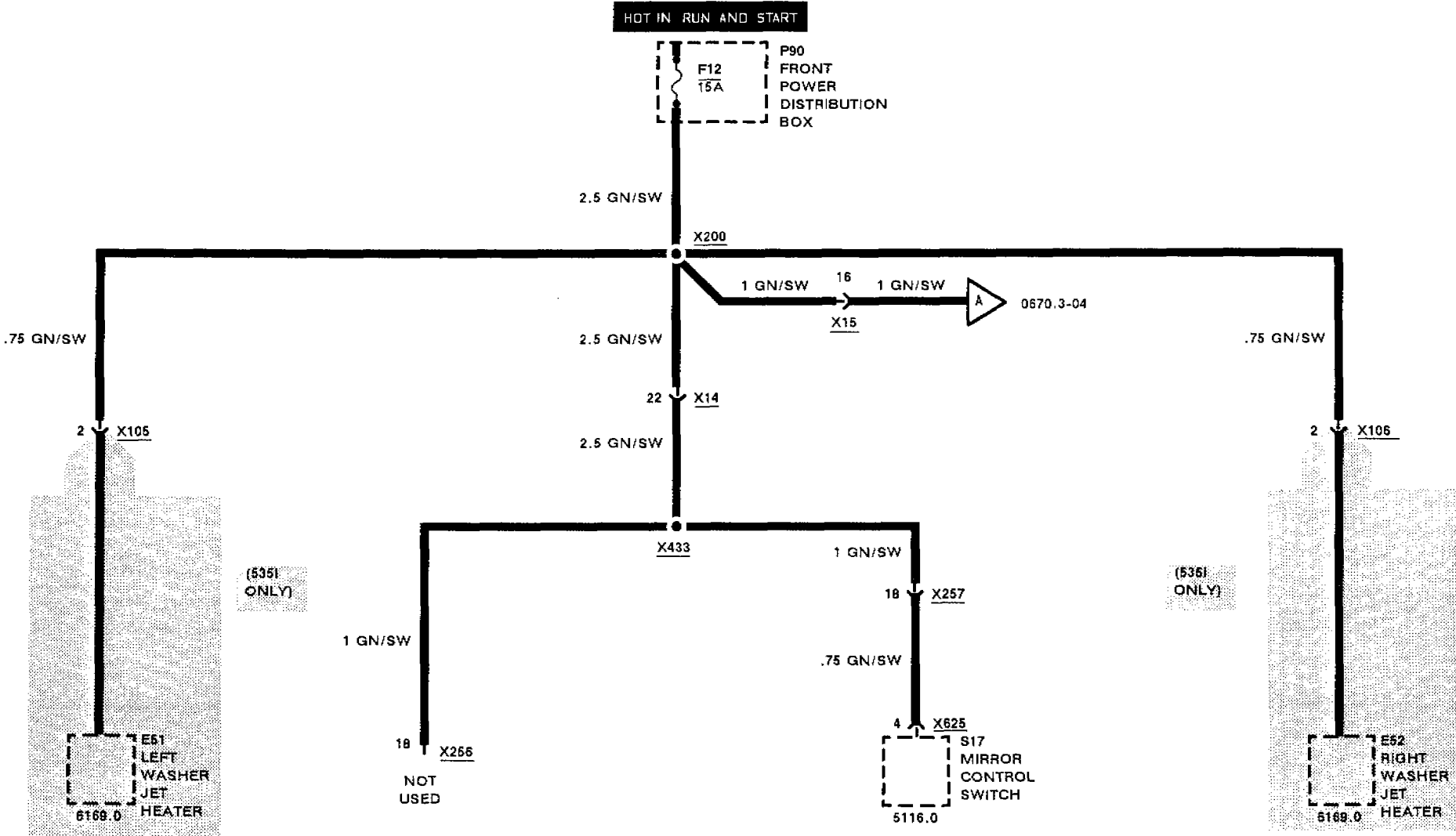
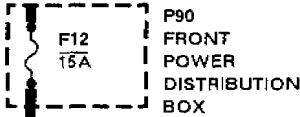




FUSE DETAILS

FUSE 12

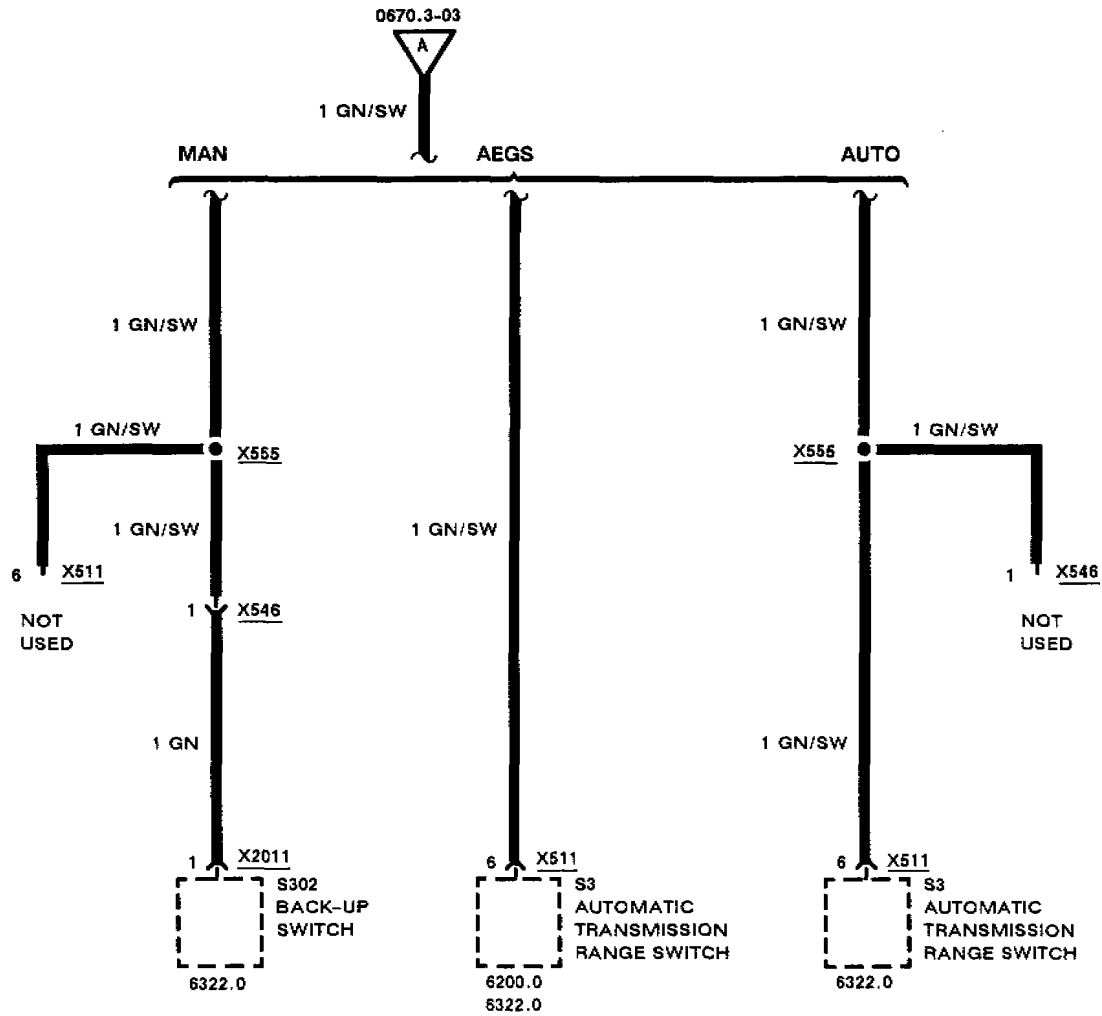
HOT IN RUN AND START





FUSE DETAILS

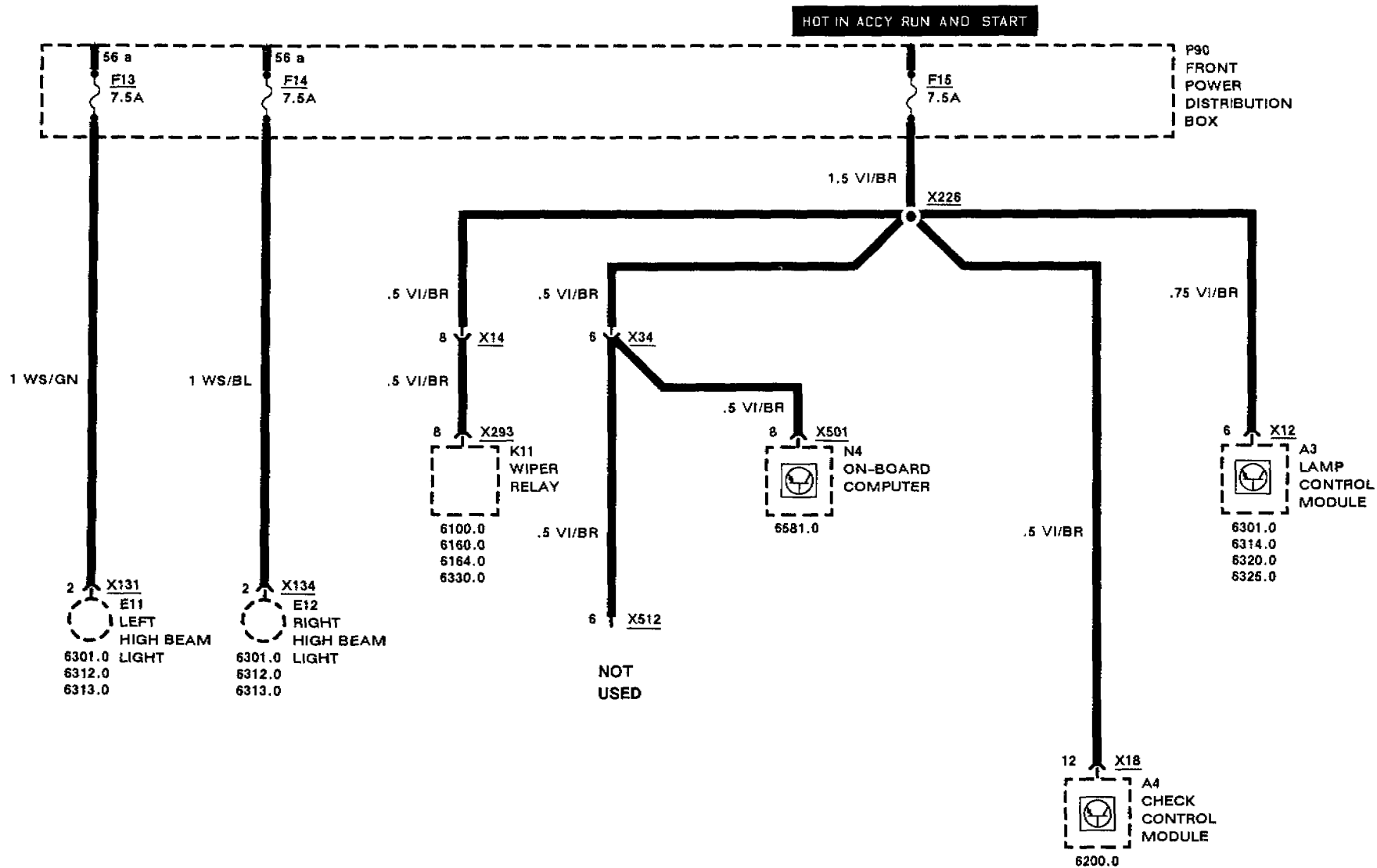
FUSE 12





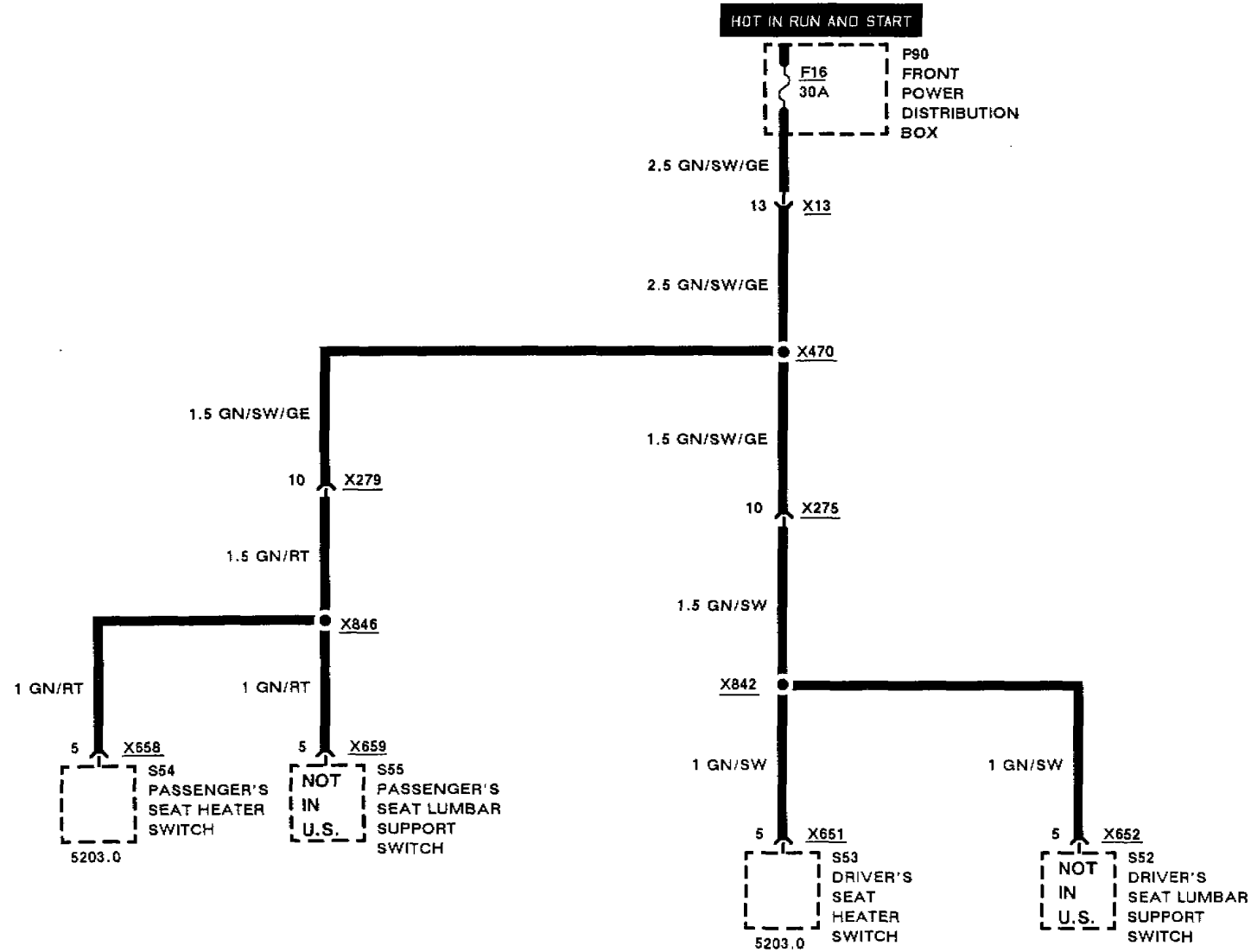
FUSE DETAILS

FUSES 13,14 AND 15



BMW
5 FUSE DETAILS
FUSE 16

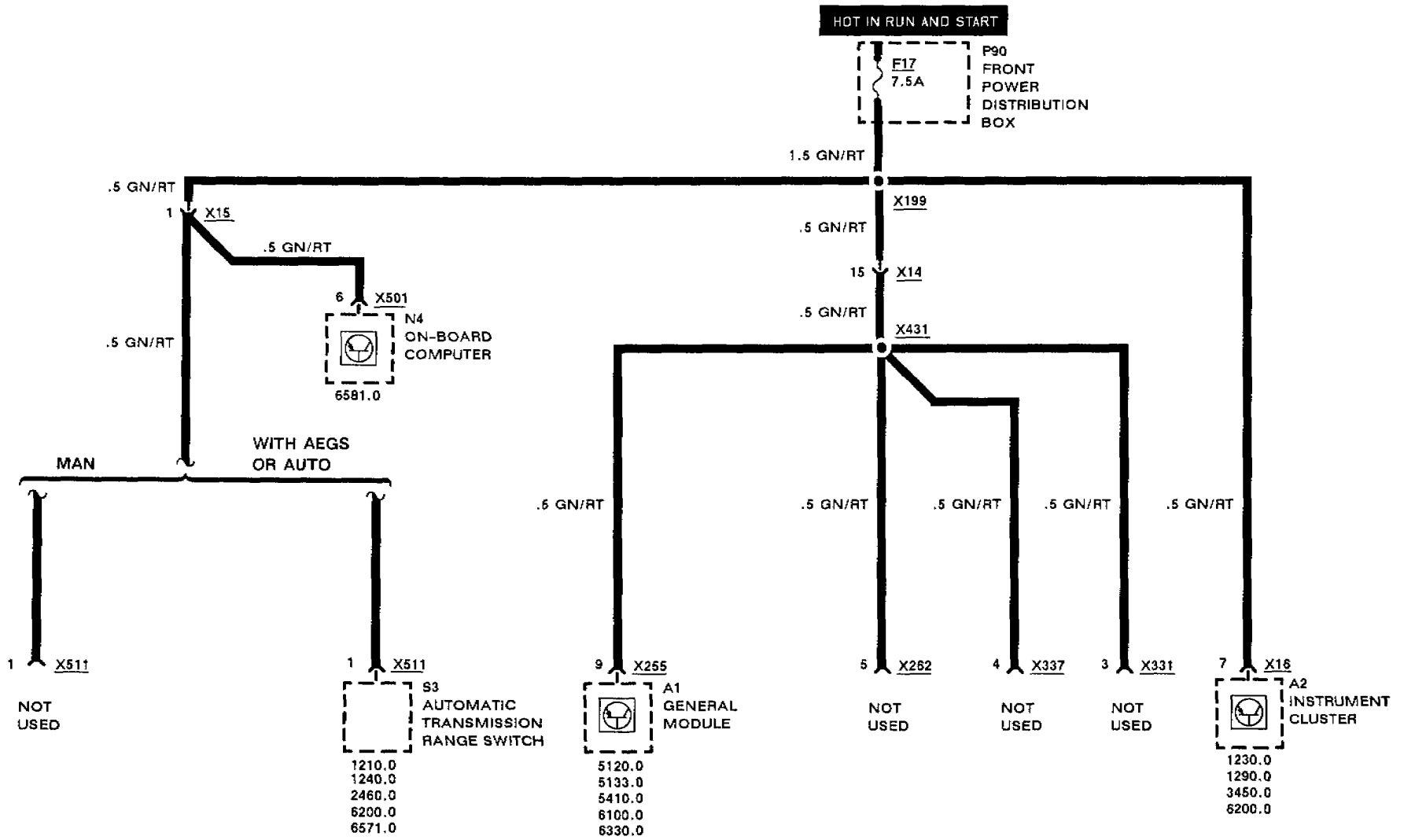
HOT IN RUN AND START





FUSE DETAILS

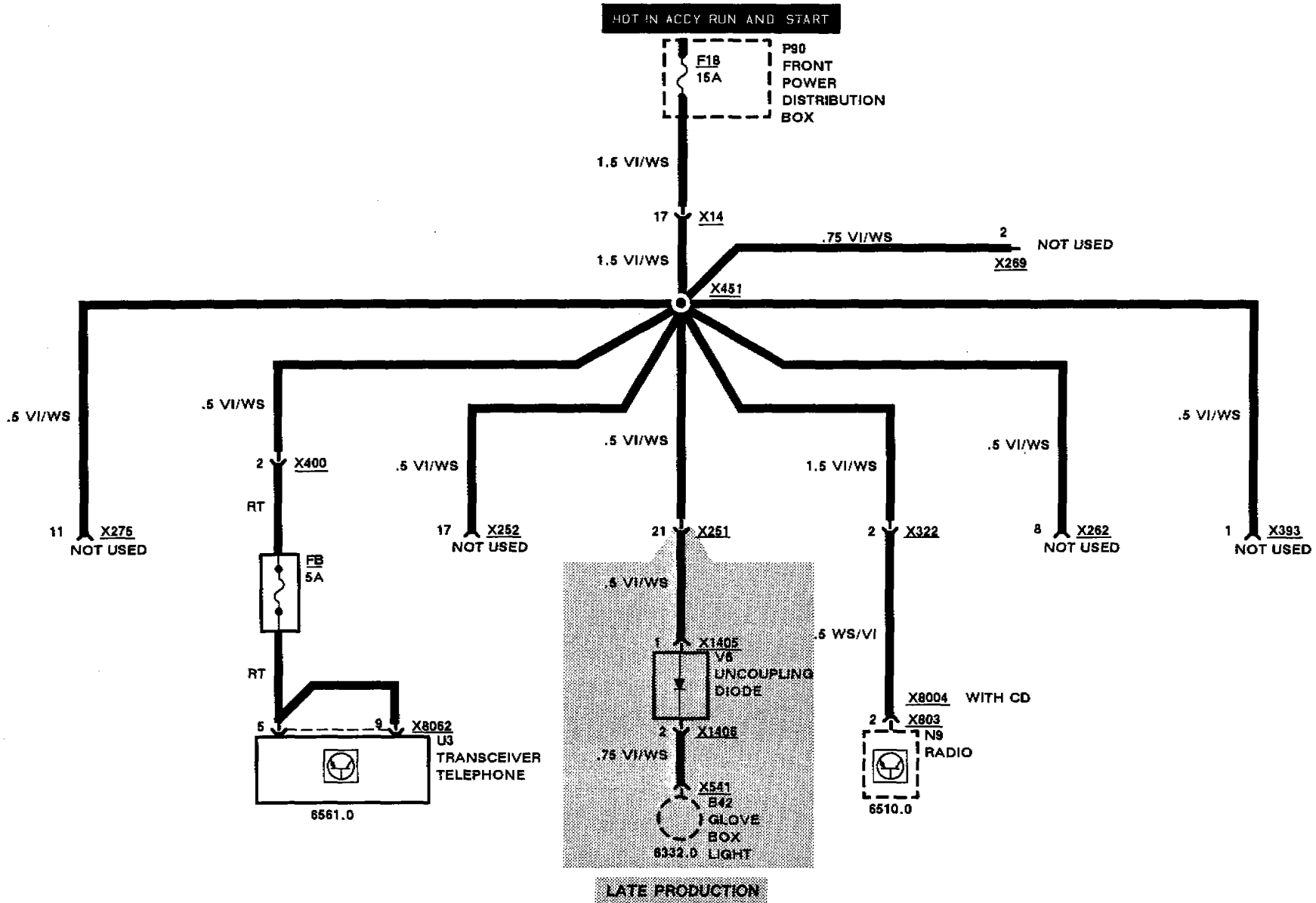
FUSE 17





FUSE DETAILS

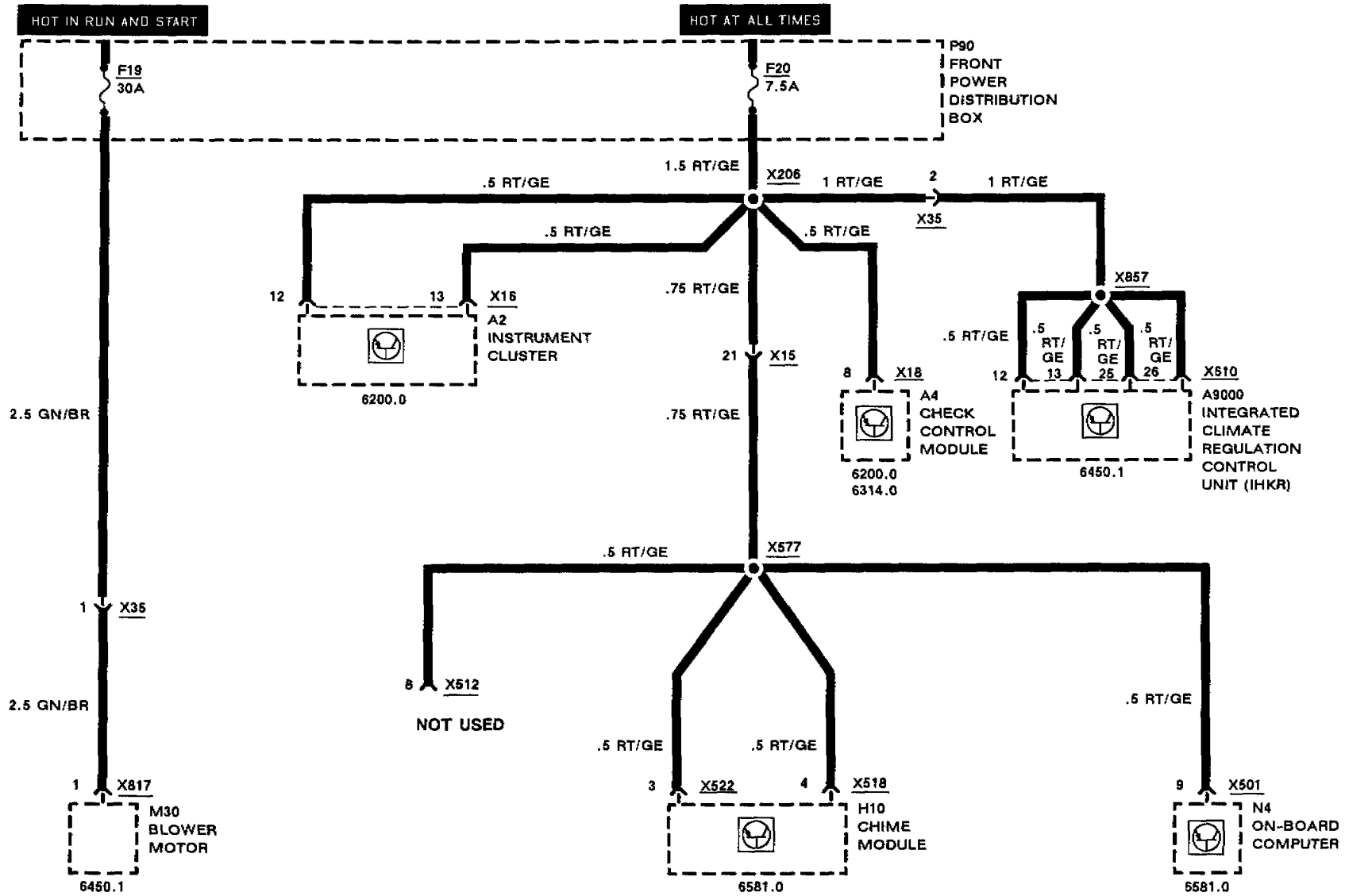
FUSE 18





FUSE DETAILS

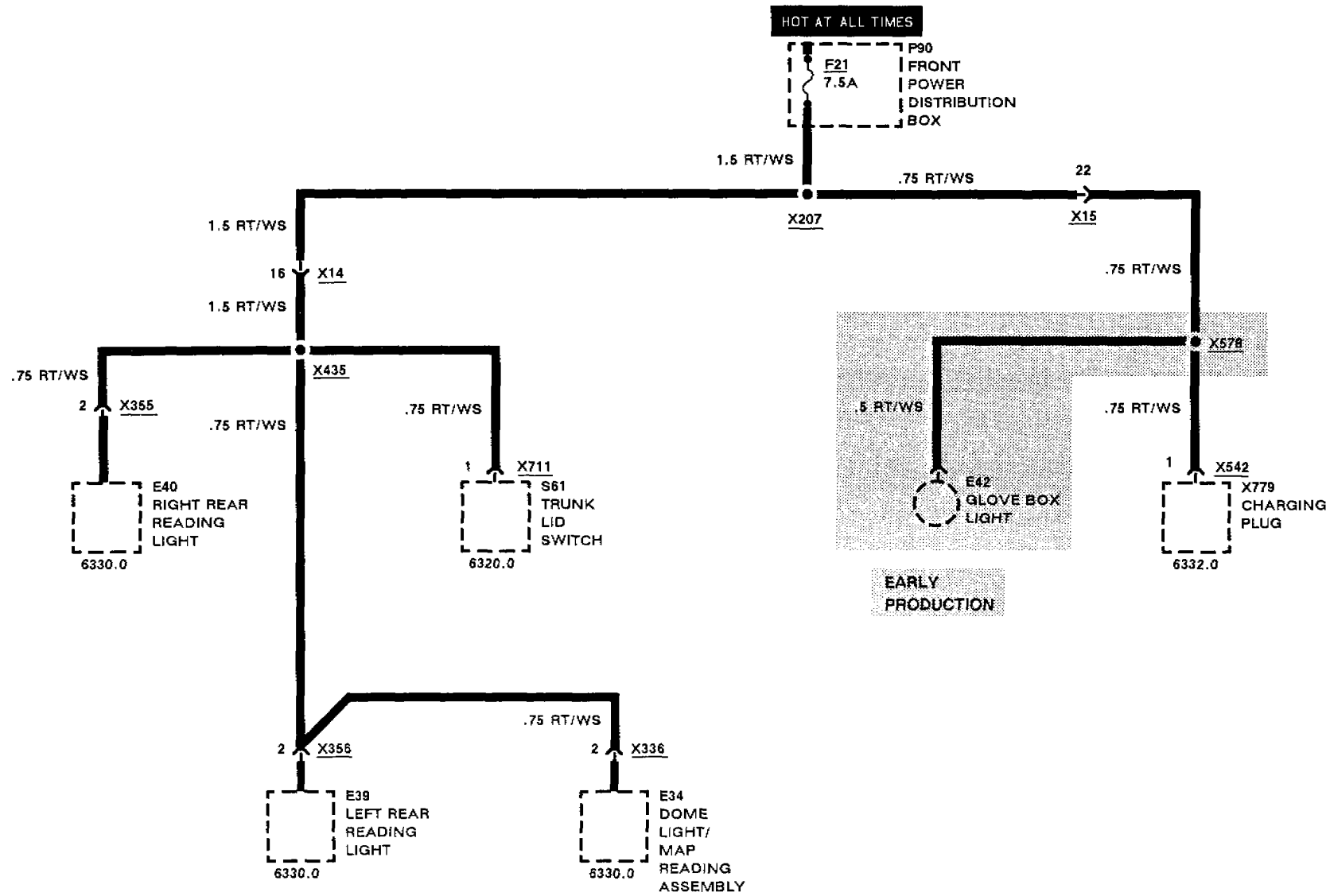
FUSES 19 AND 20





FUSE DETAILS

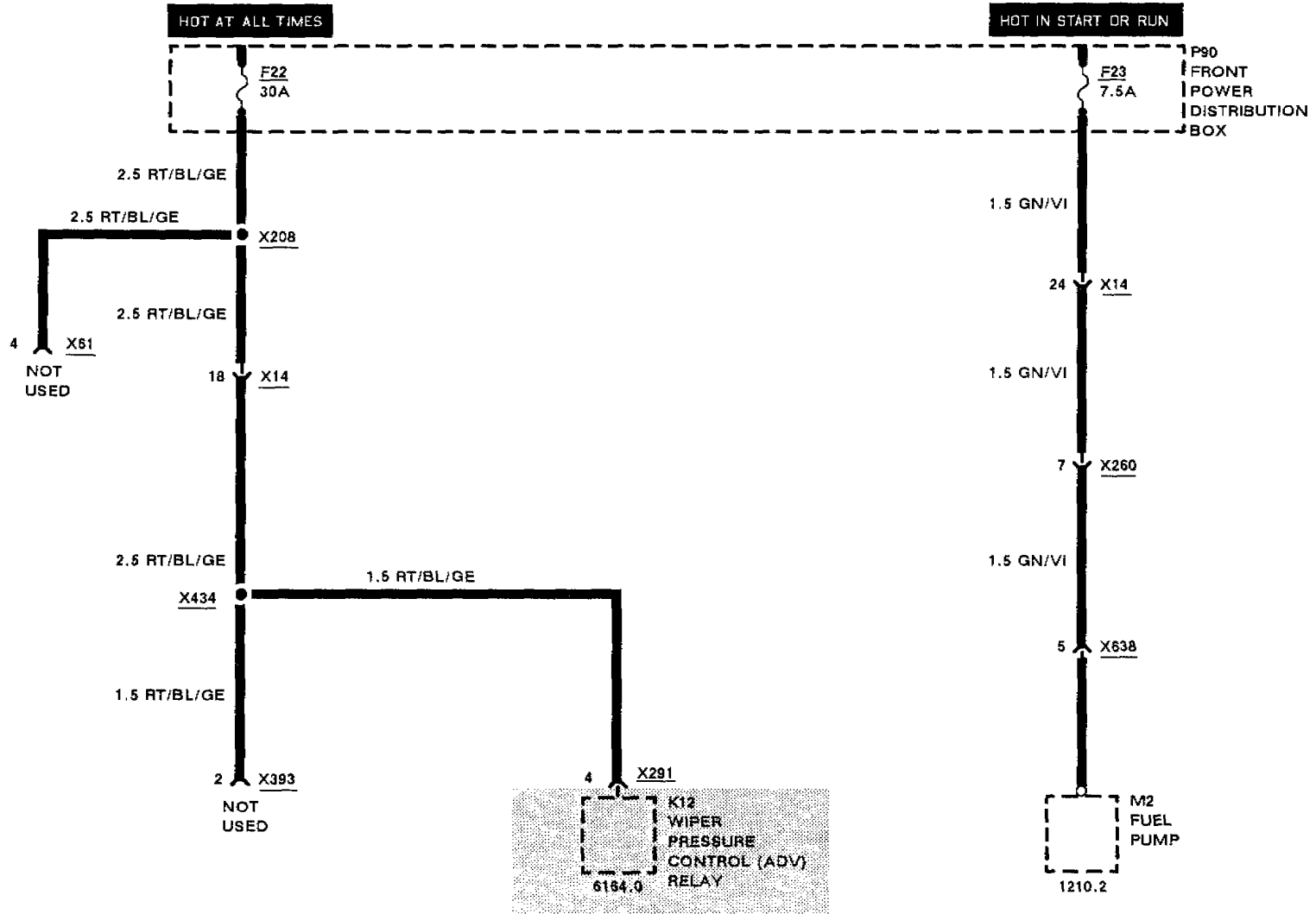
FUSE 21





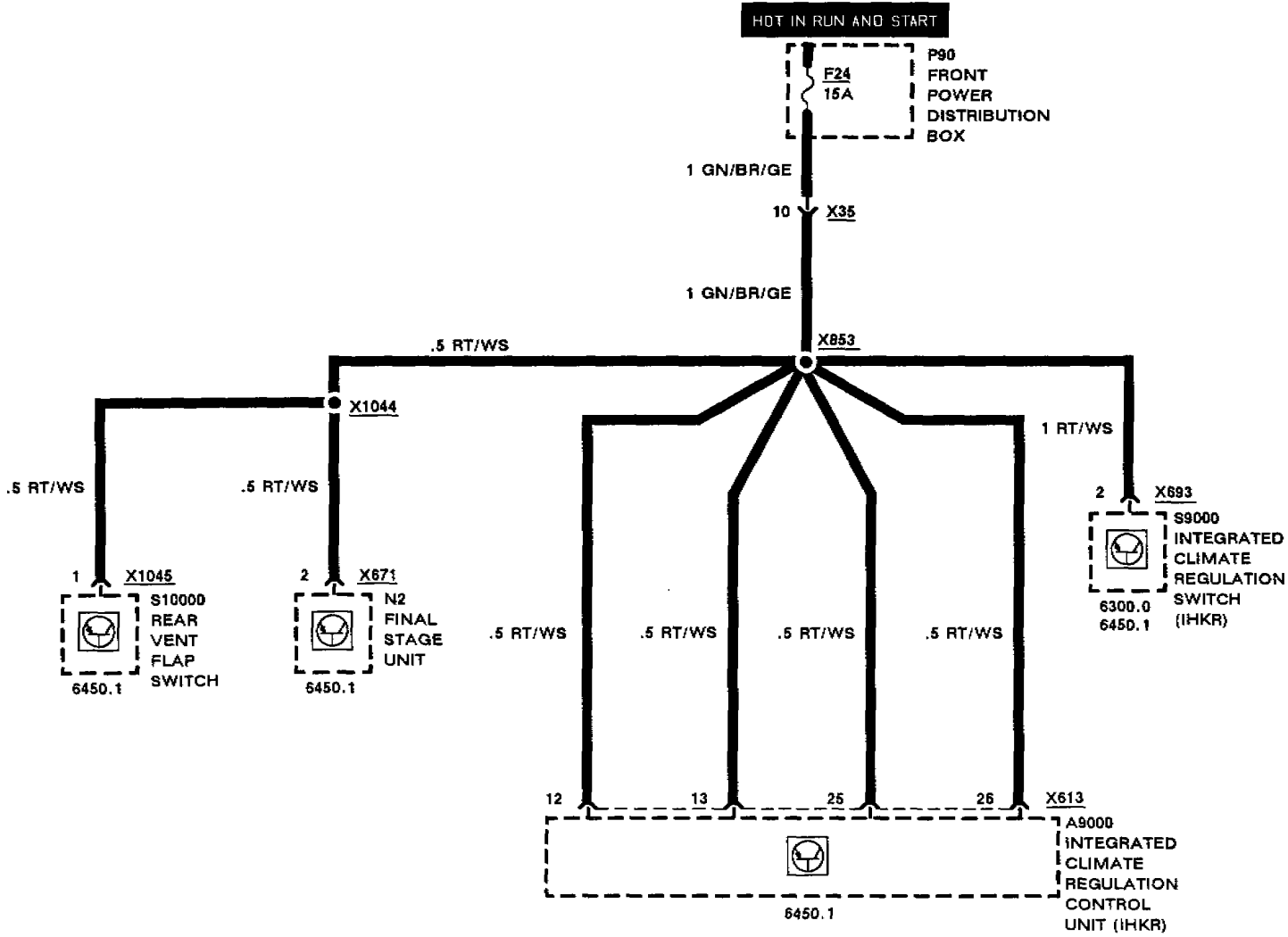
FUSE DETAILS

FUSES 22 AND 23



(5361 ONLY)

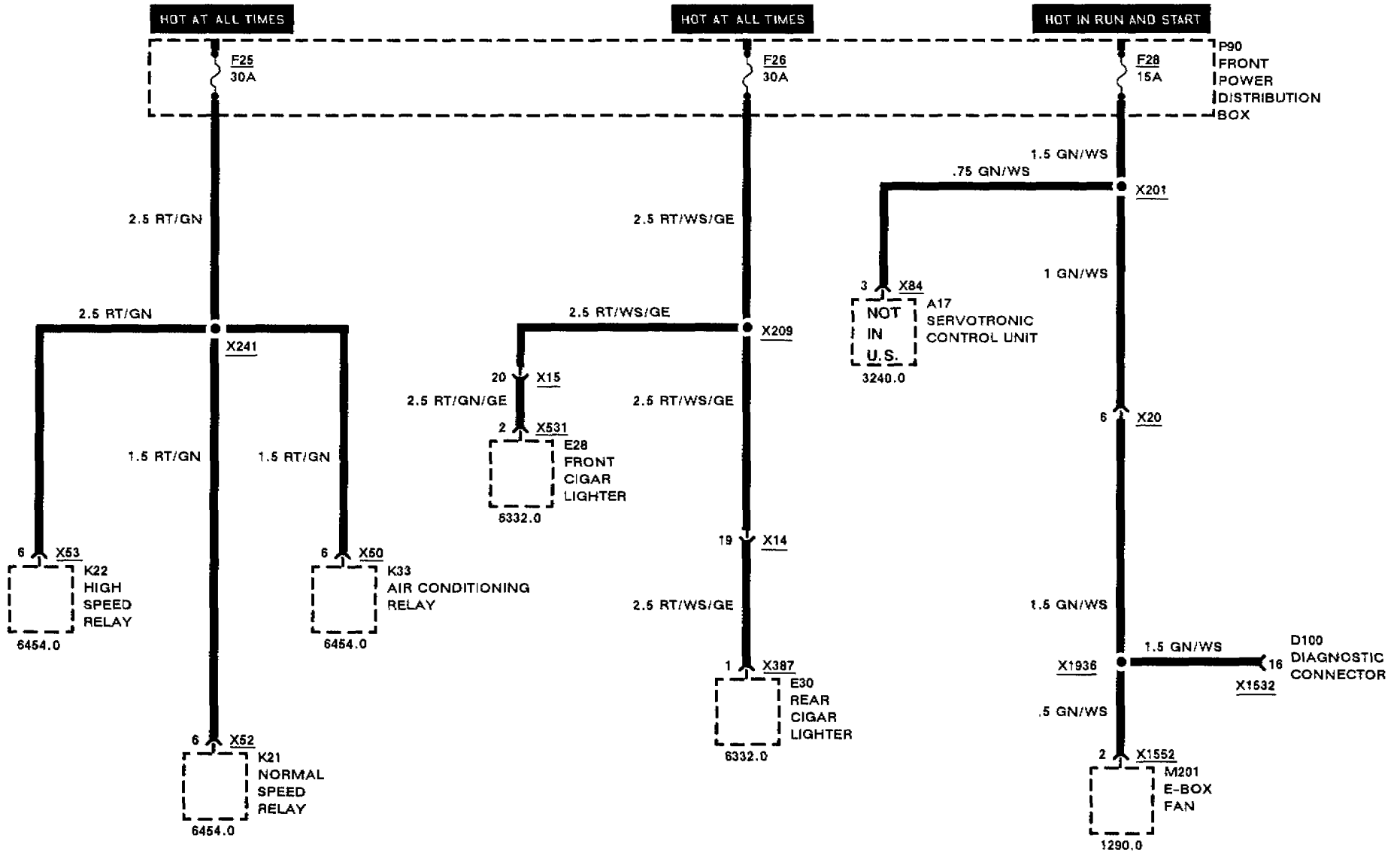
BMW
5 **FUSE DETAILS**
FUSE 24





FUSE DETAILS

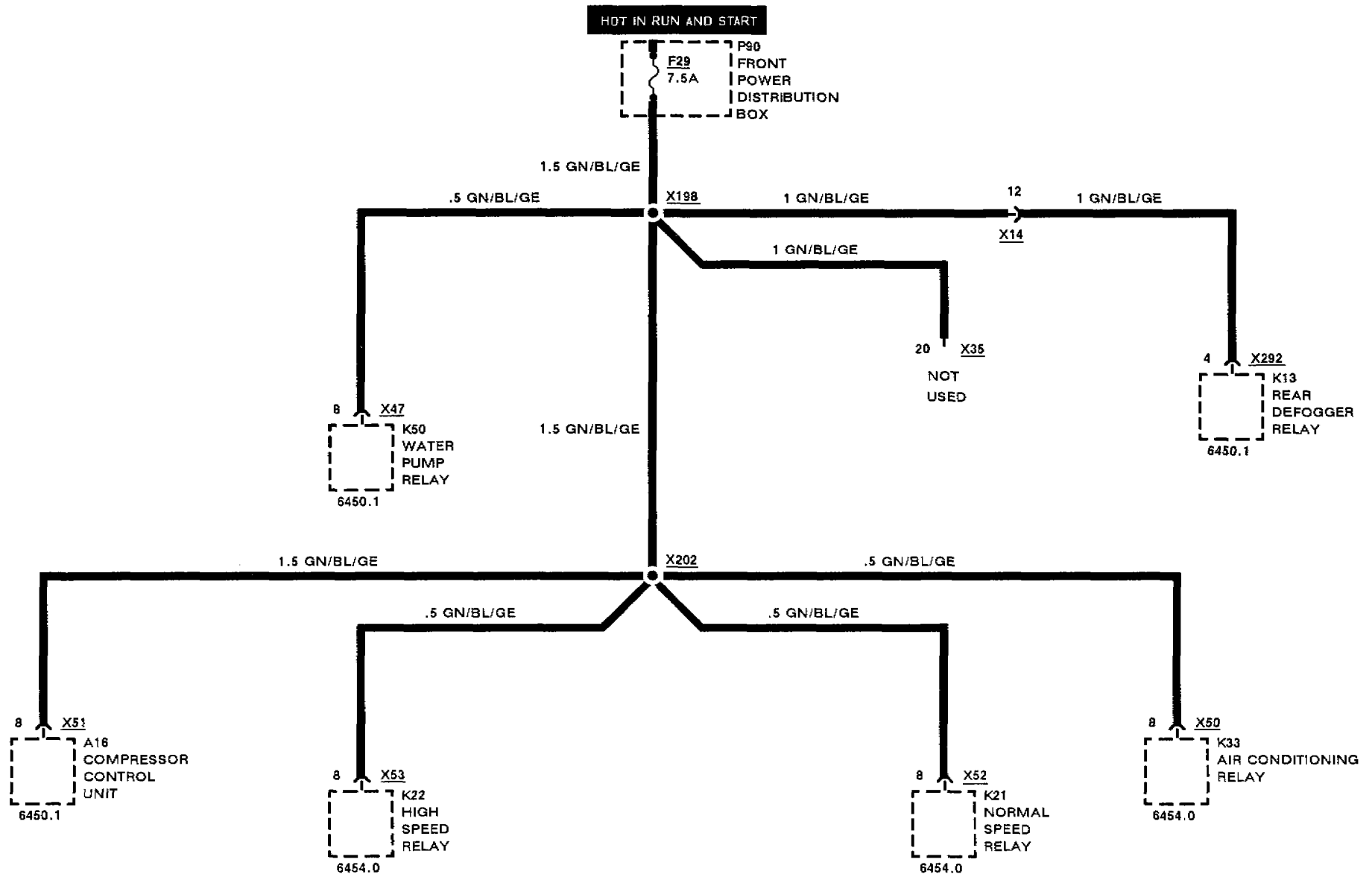
FUSES 25, 26 AND 28





FUSE DETAILS

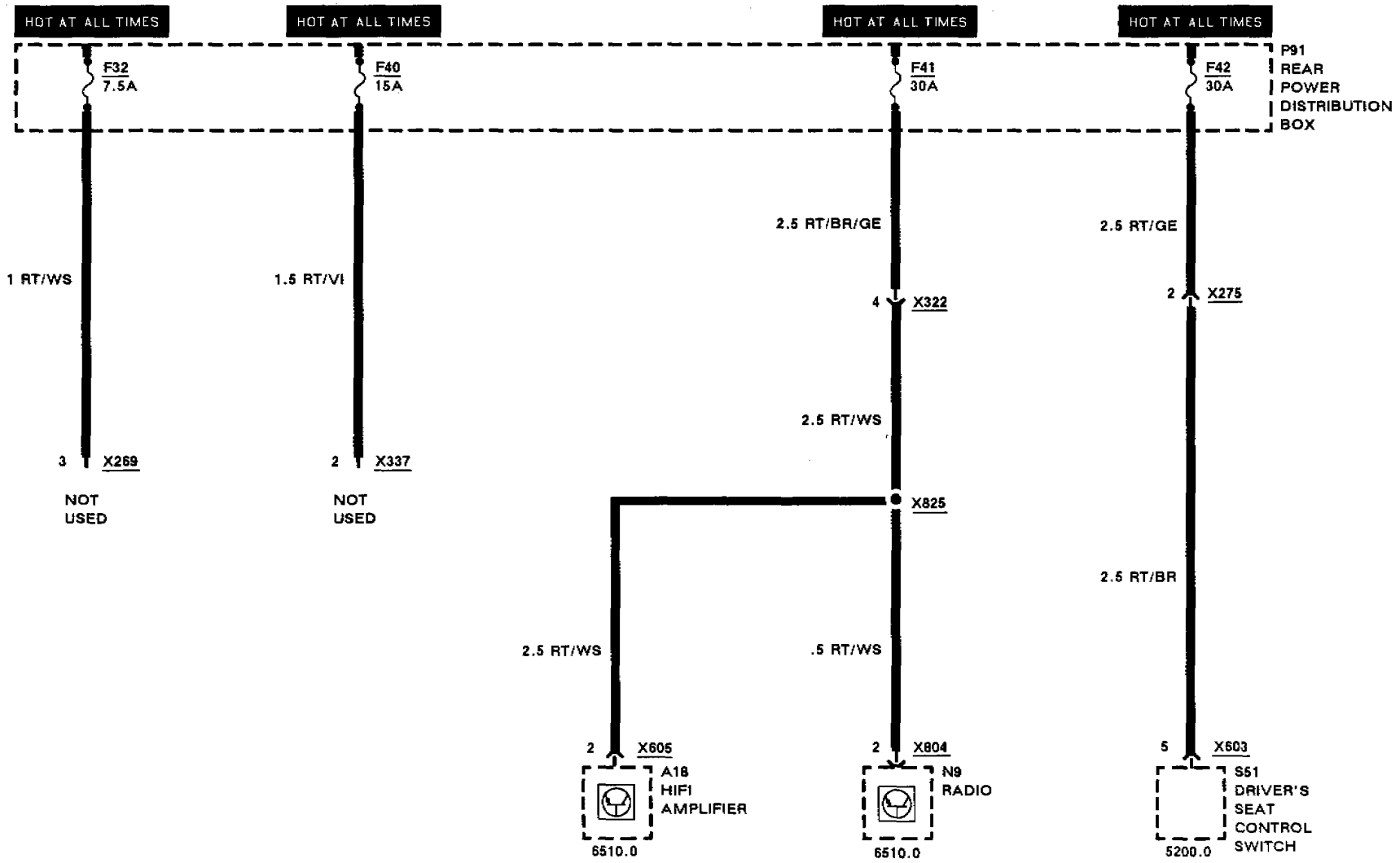
FUSE 29





FUSE DETAILS

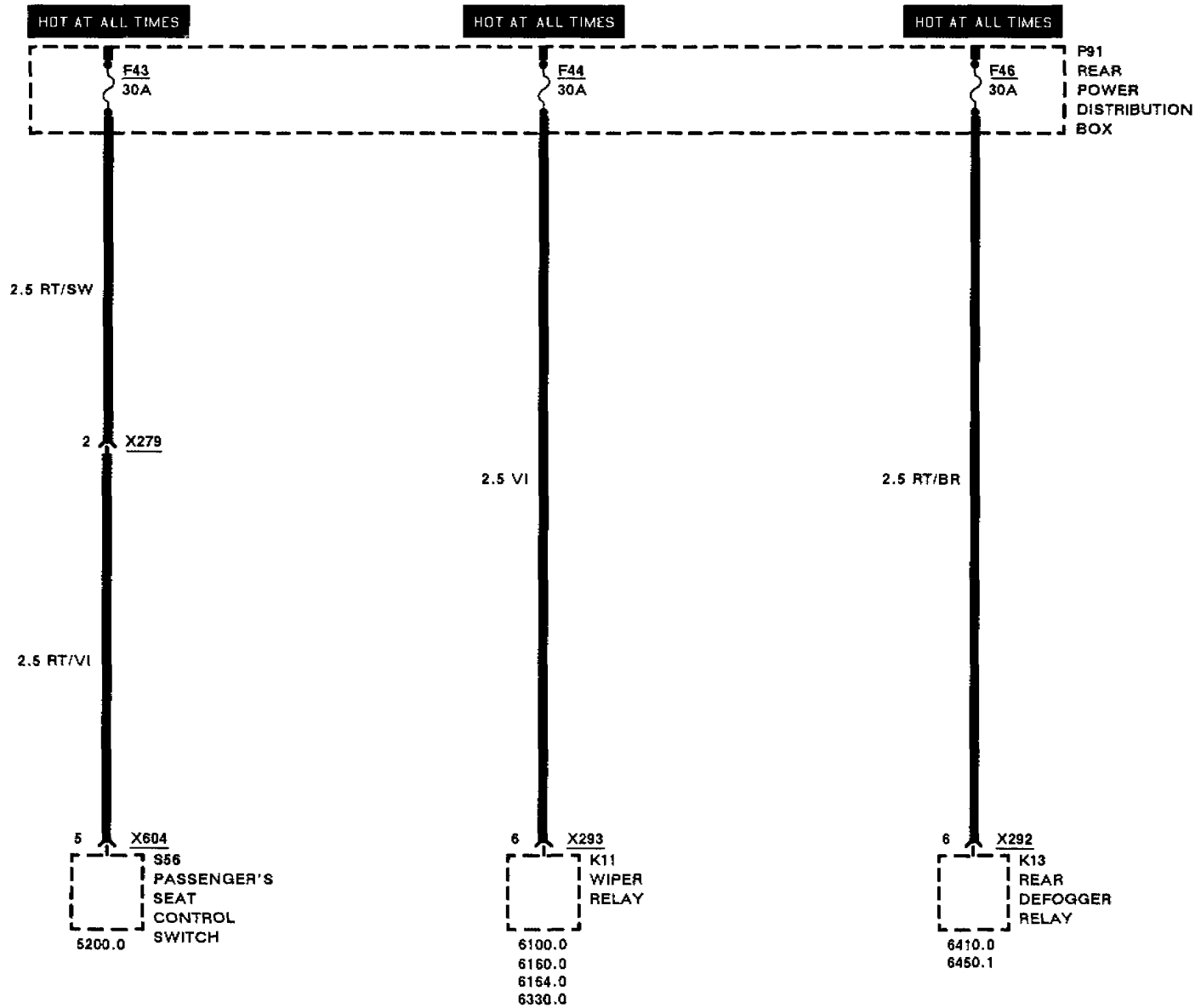
FUSES 32, 40, 41 AND 42





FUSE DETAILS

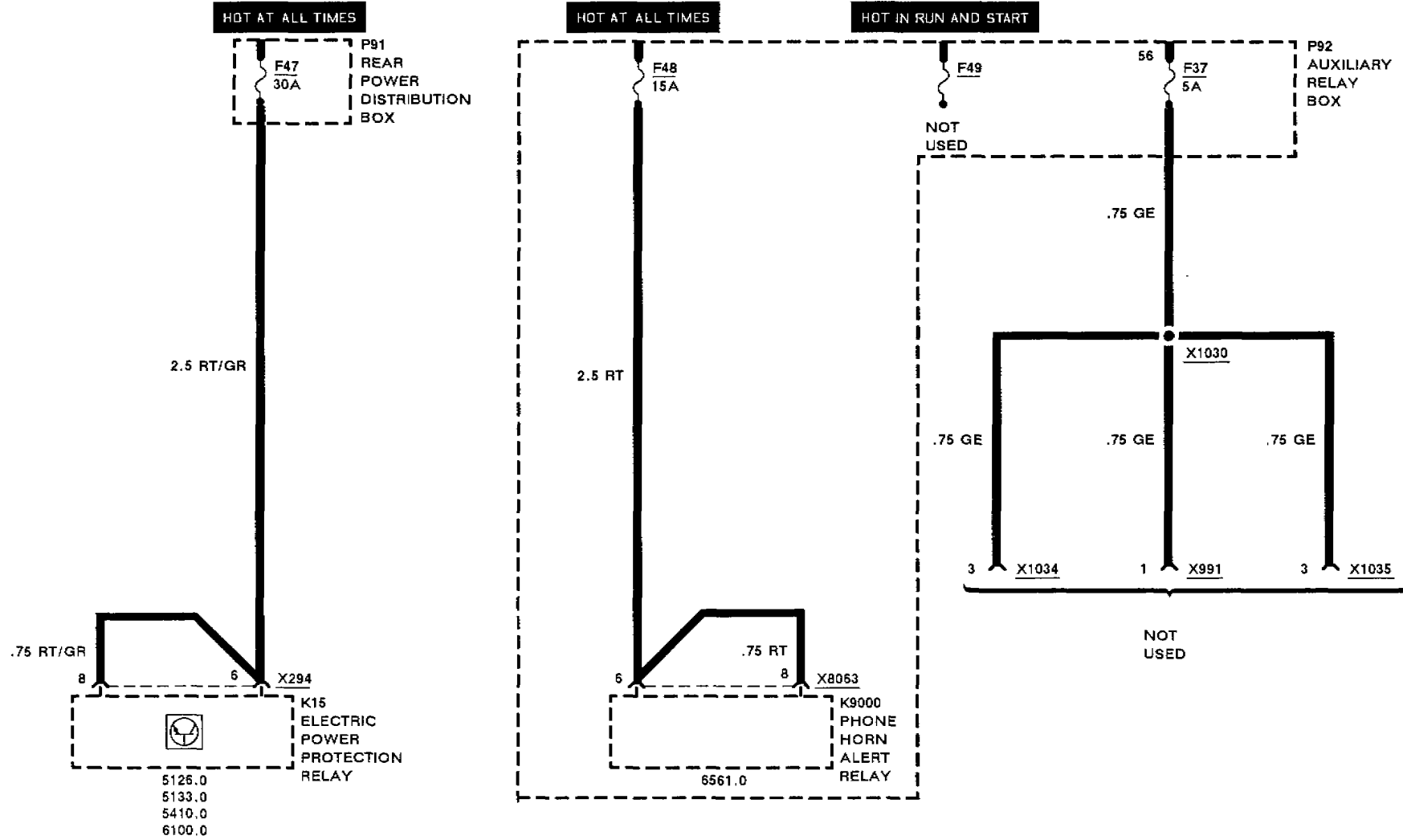
FUSES 43,44 AND 46





FUSE DETAILS

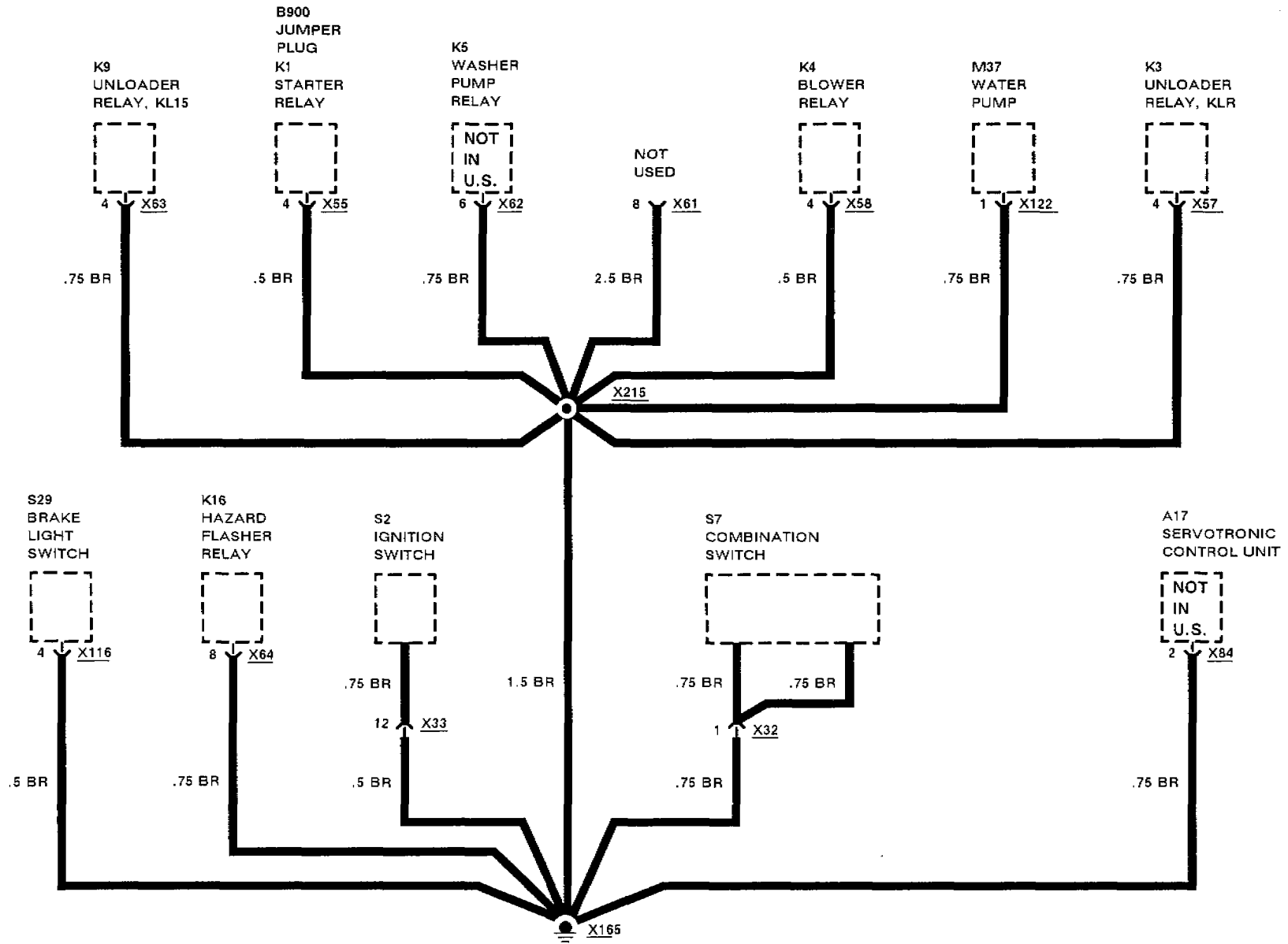
FUSES 37, 47, 48 AND 49





GROUND DISTRIBUTION

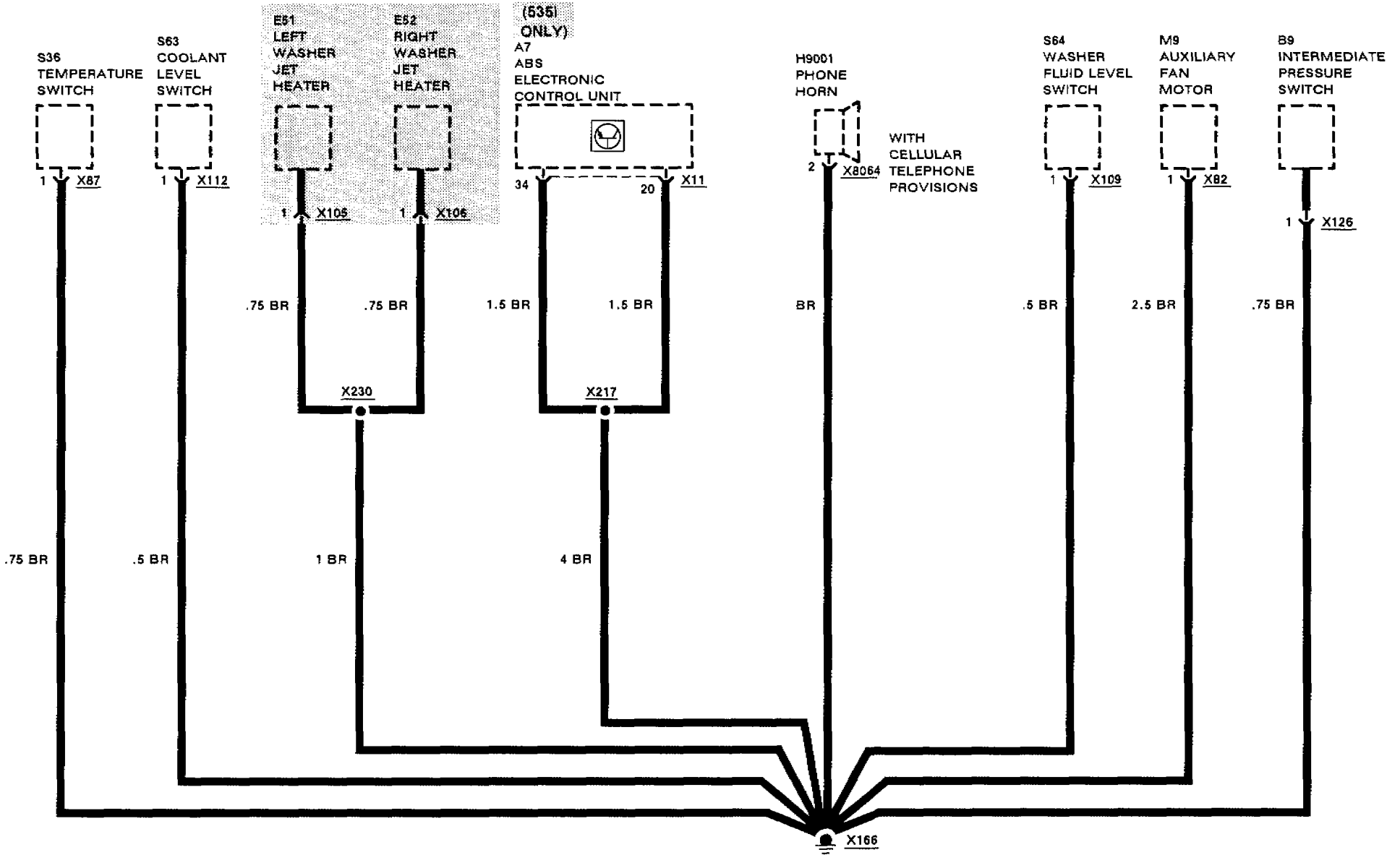
GROUND X165





GROUND DISTRIBUTION

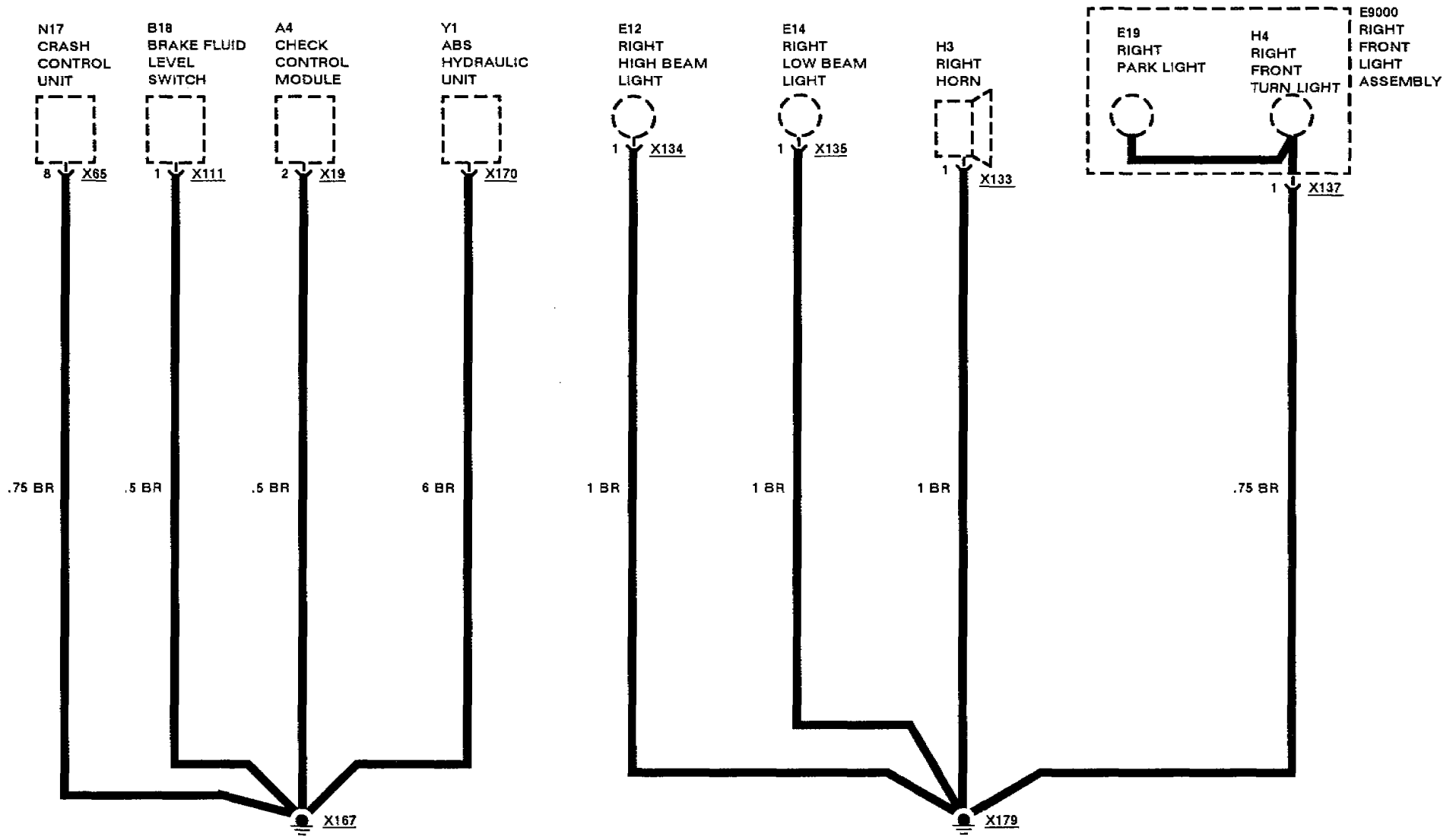
GROUND X166





GROUND DISTRIBUTION

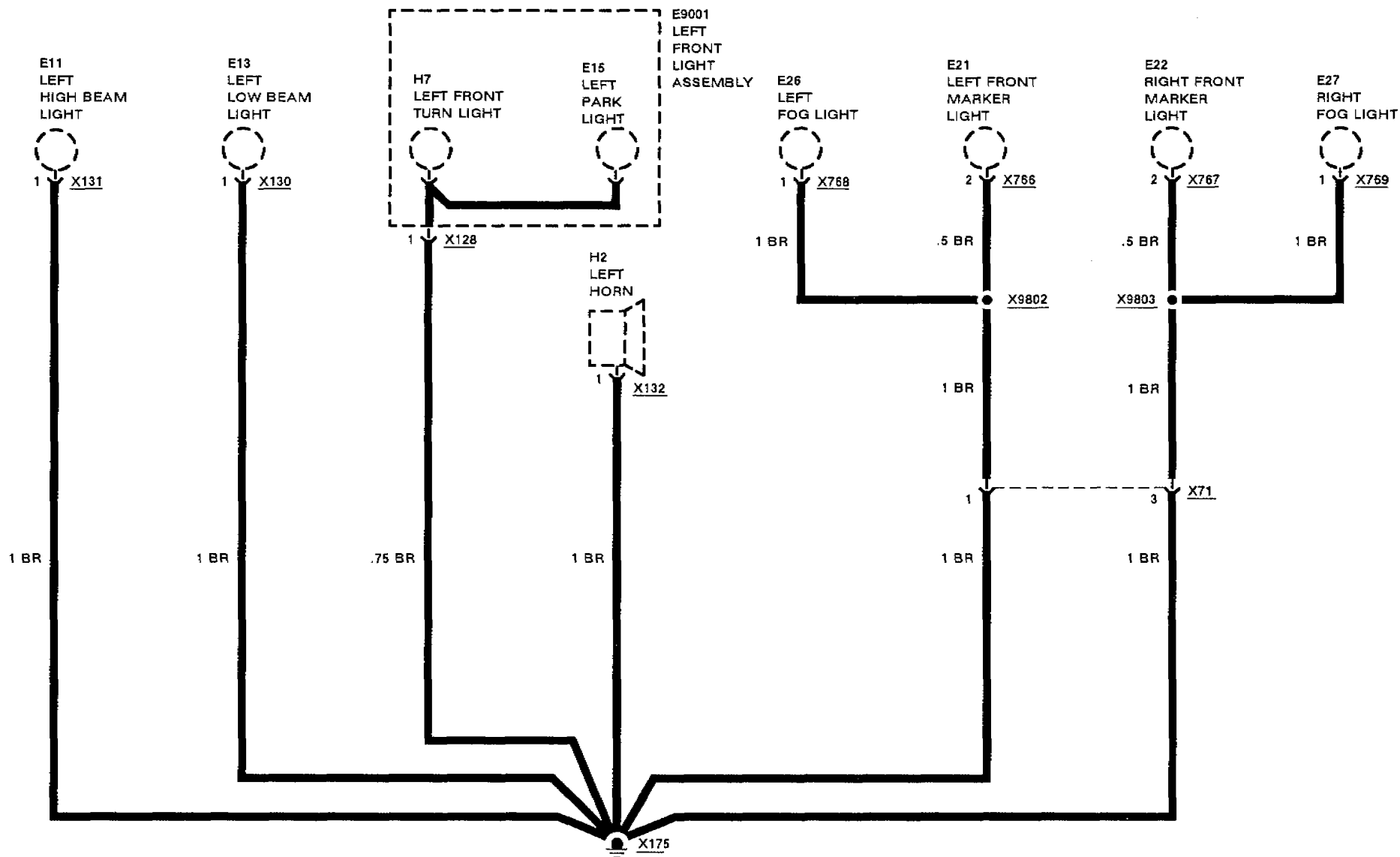
GROUNDS X167 AND X179





GROUND DISTRIBUTION

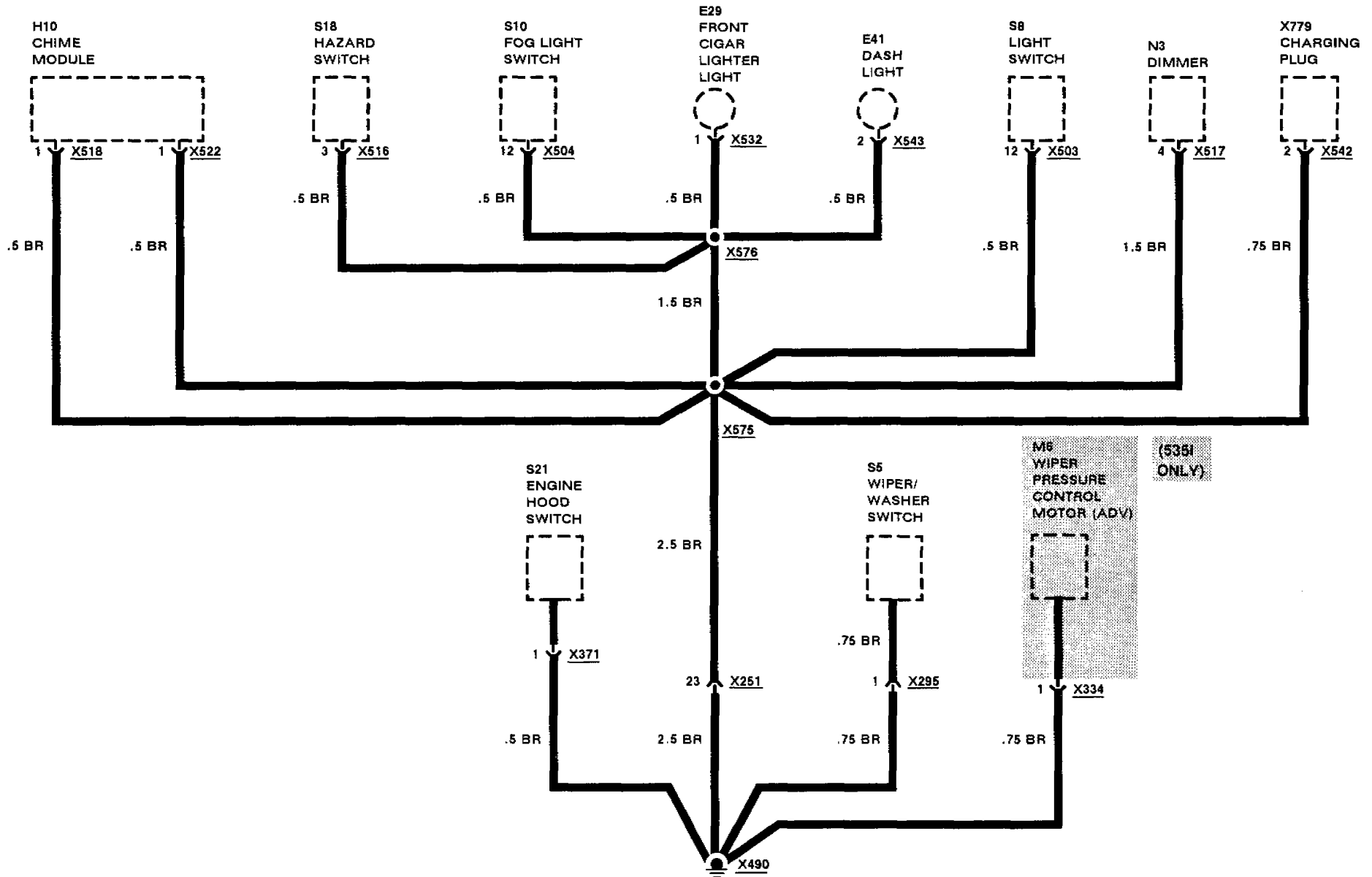
GROUND X175





GROUND DISTRIBUTION

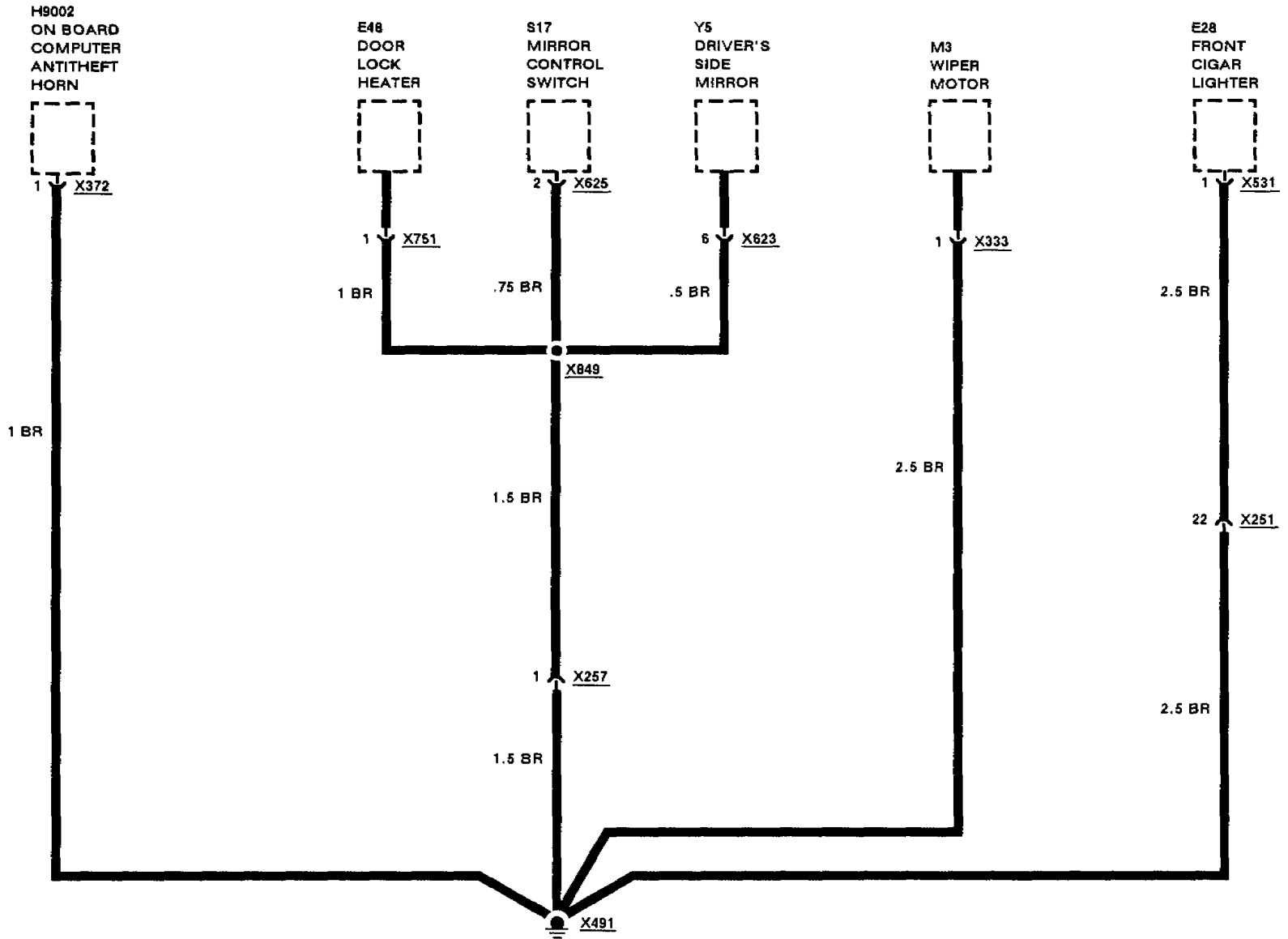
GROUND X490





GROUND DISTRIBUTION

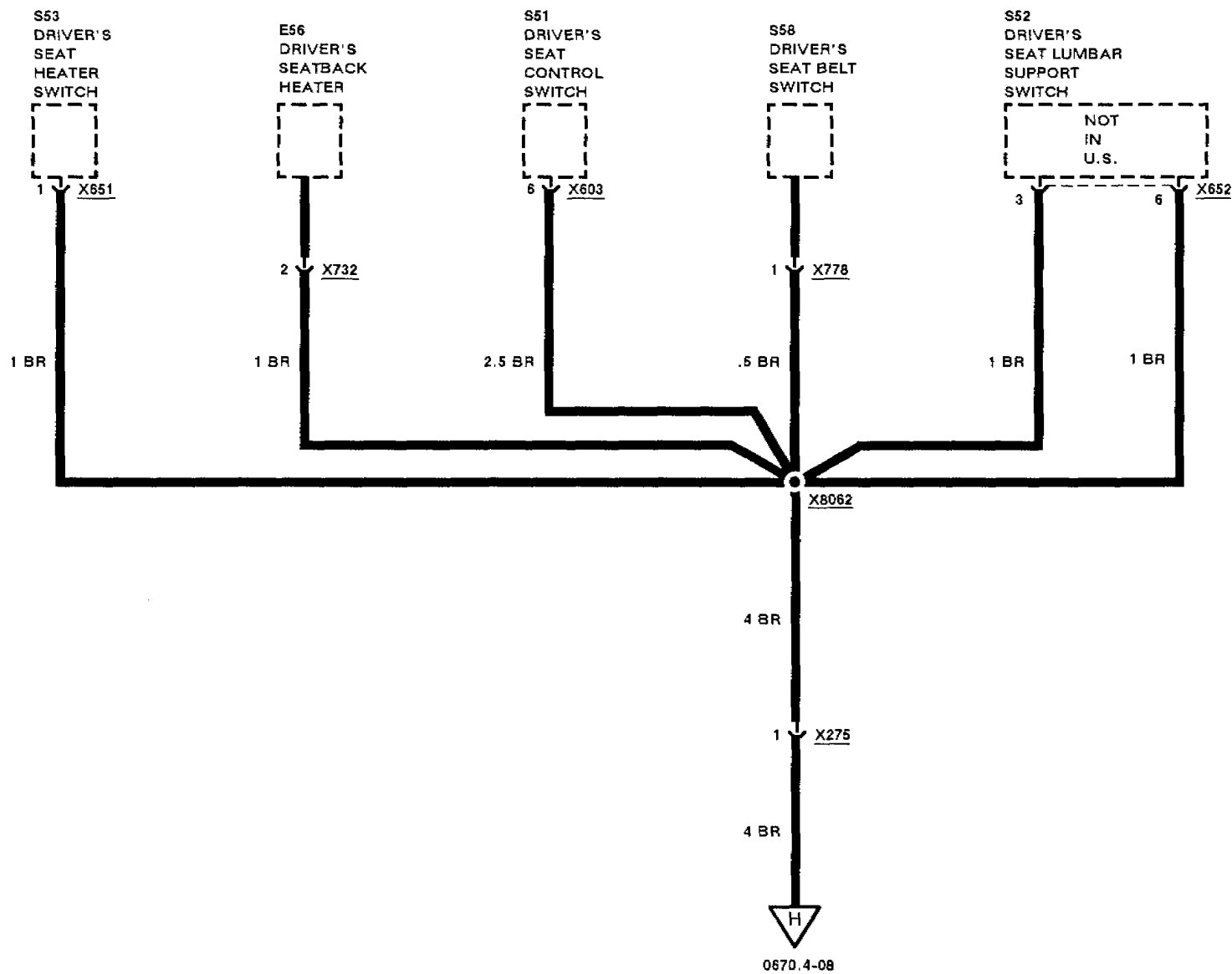
GROUND X491





GROUND DISTRIBUTION

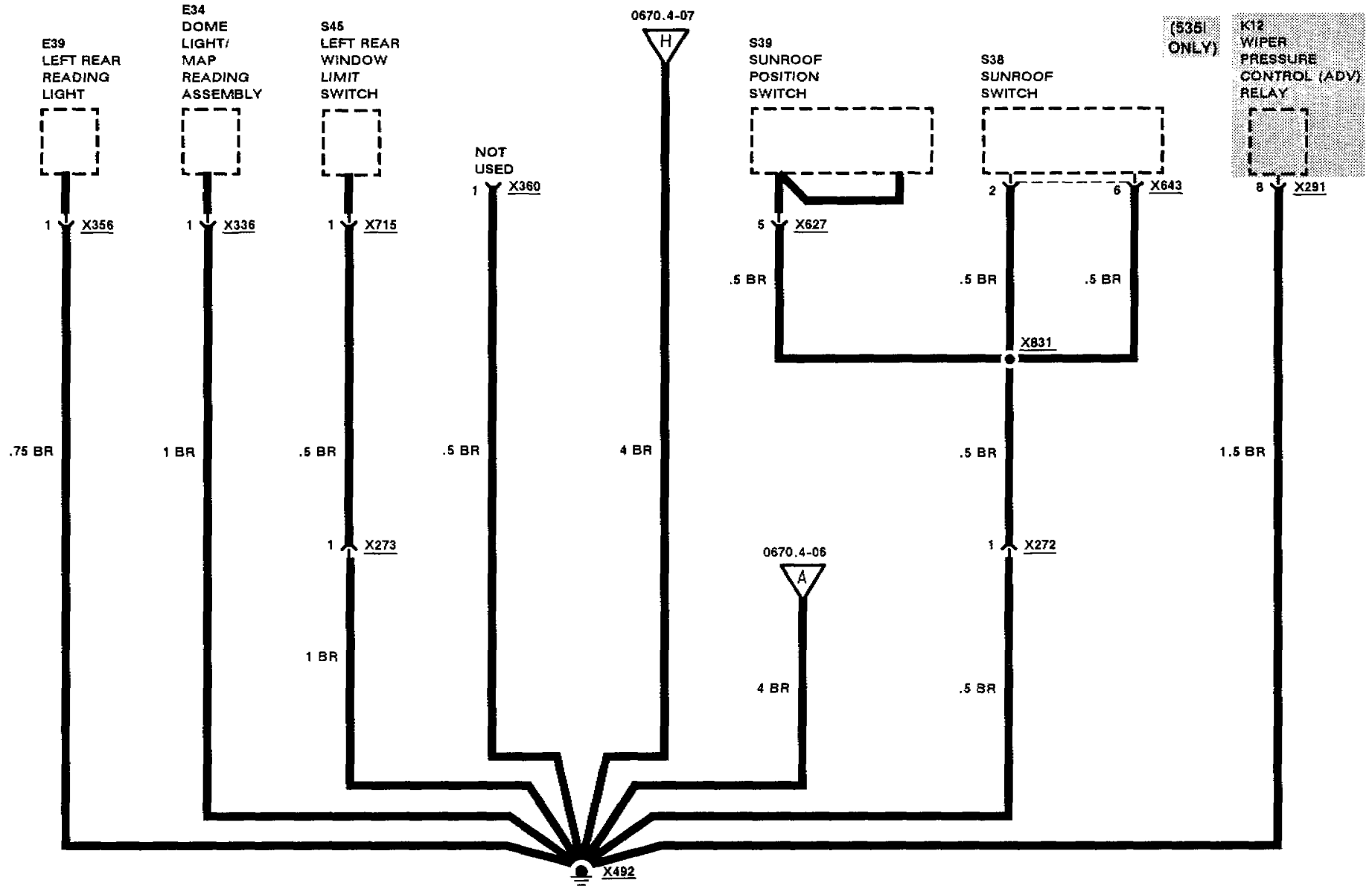
GROUND X492





GROUND DISTRIBUTION

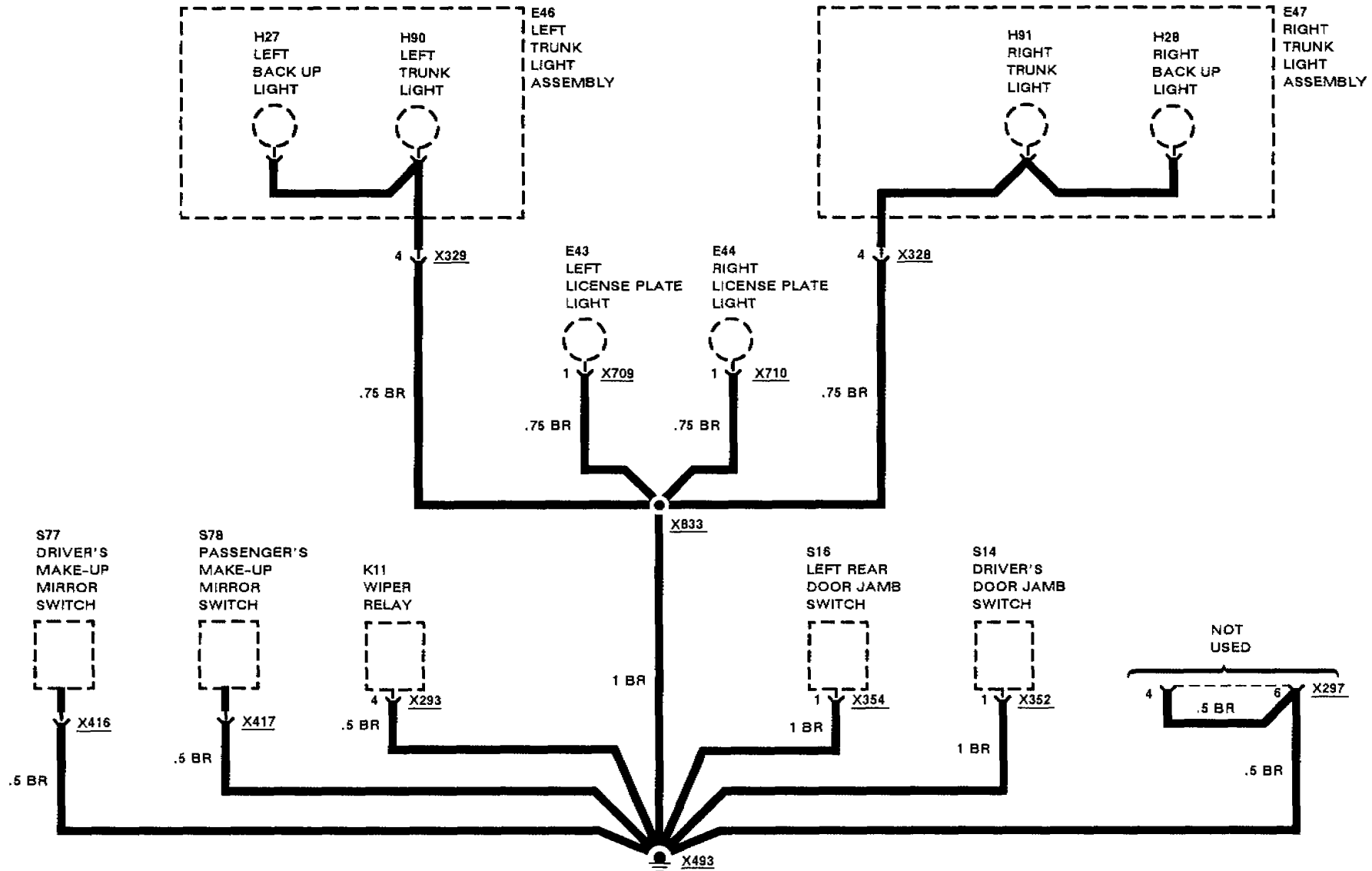
GROUND X492





GROUND DISTRIBUTION

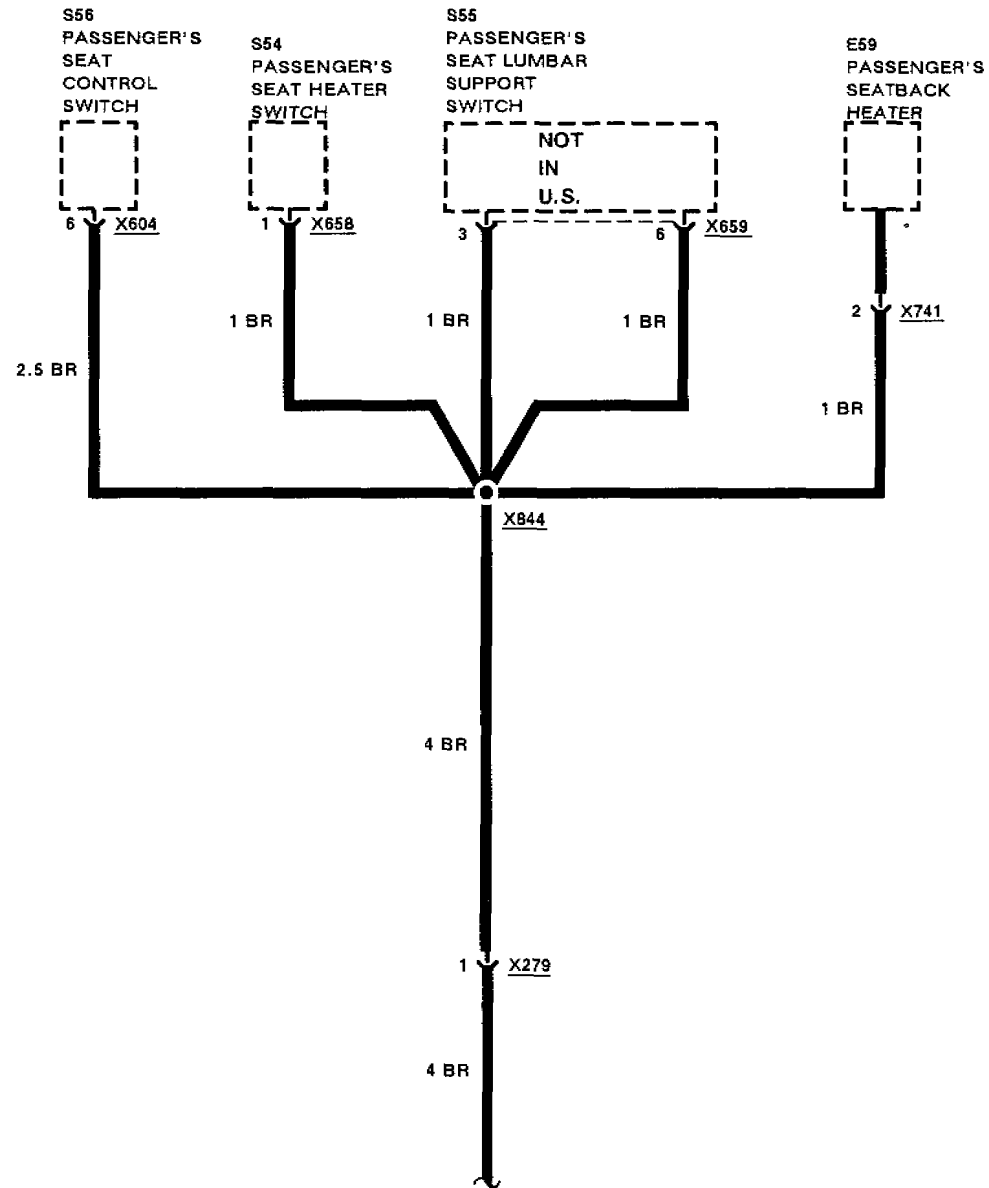
GROUND X493

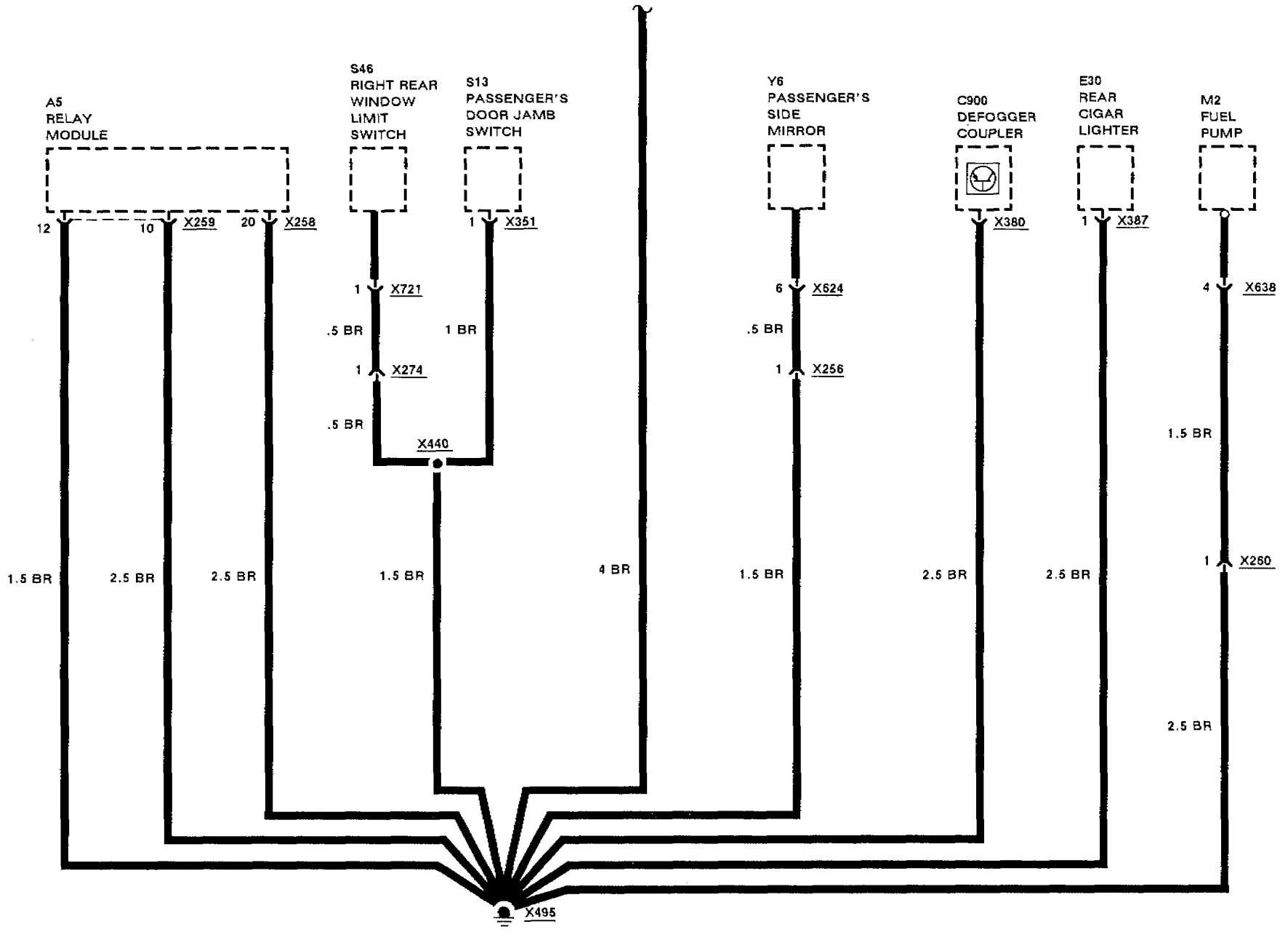




GROUND DISTRIBUTION

GROUND X495

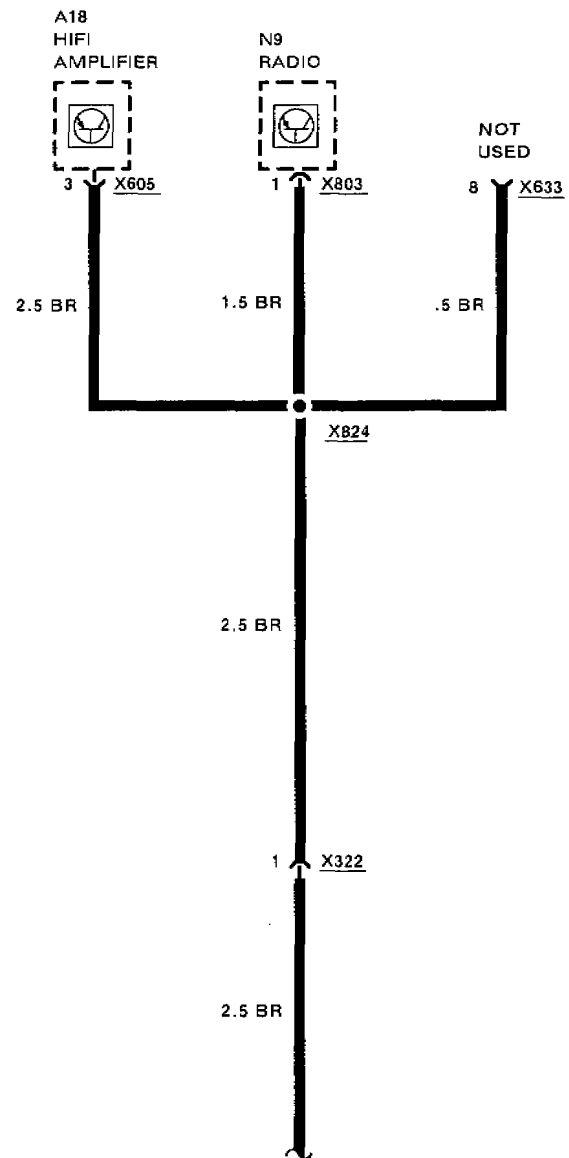
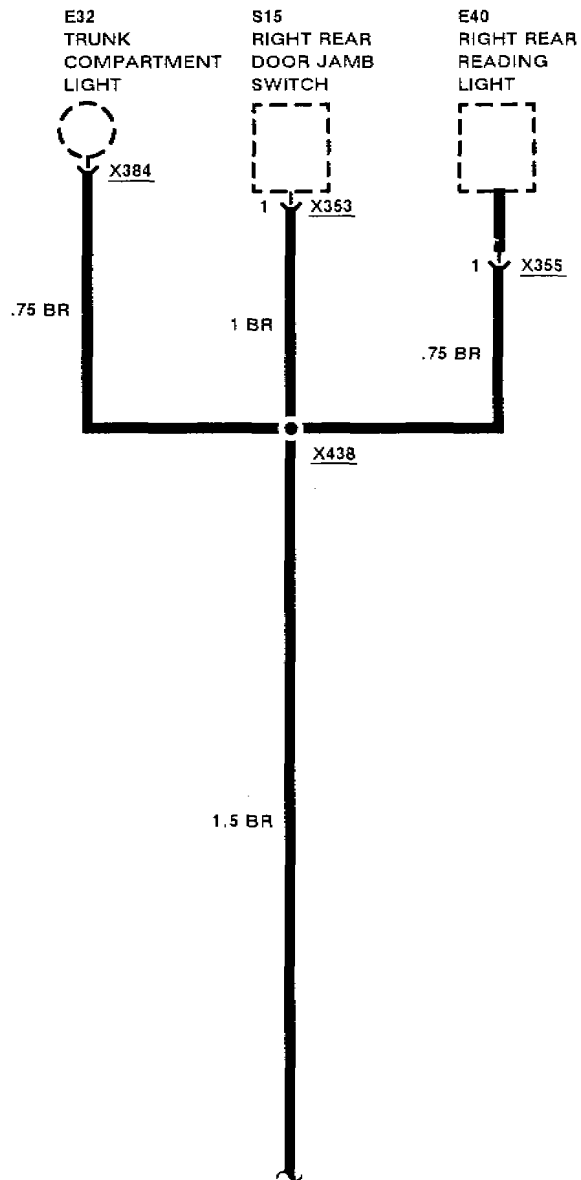


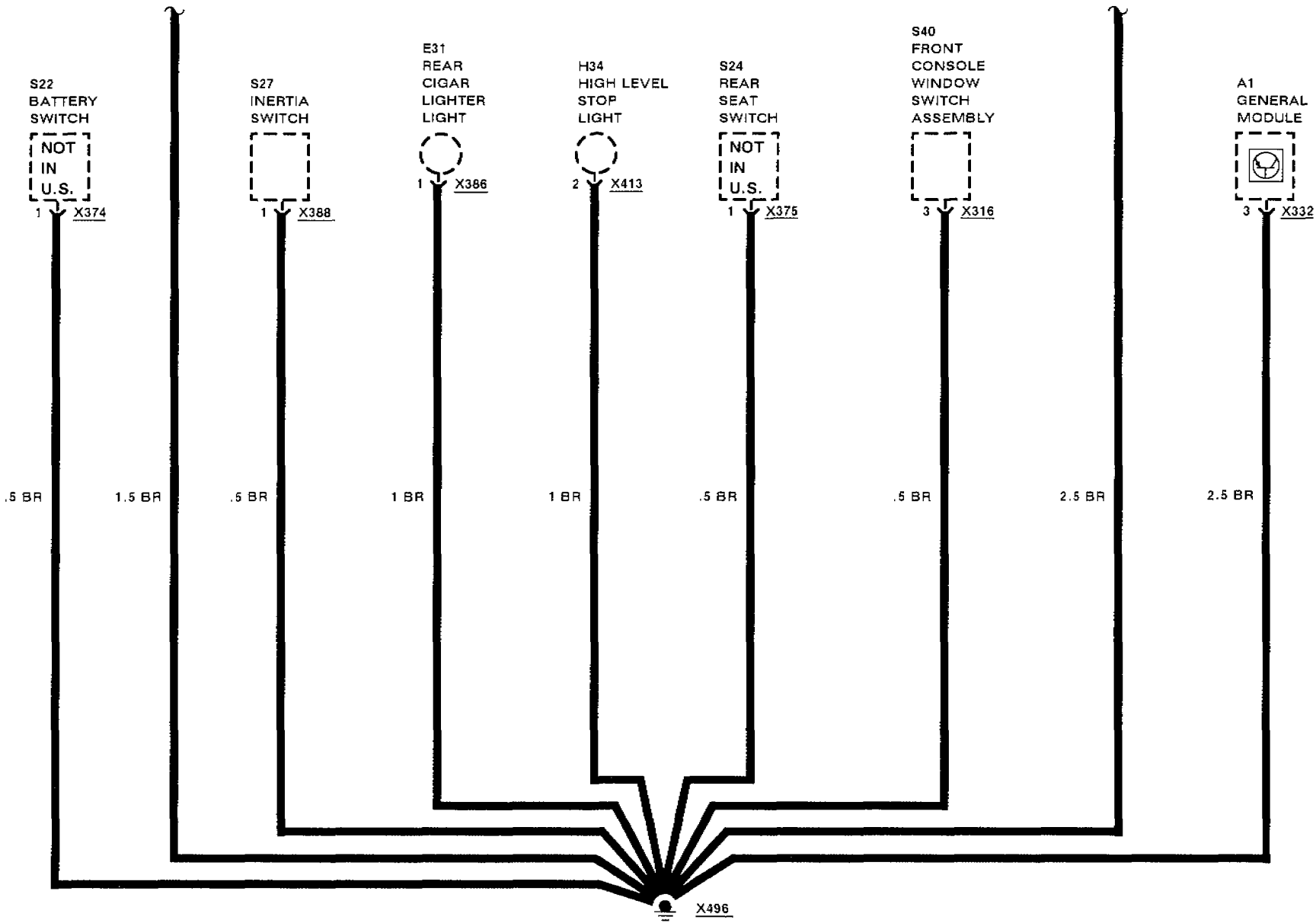




GROUND DISTRIBUTION

GROUND X496

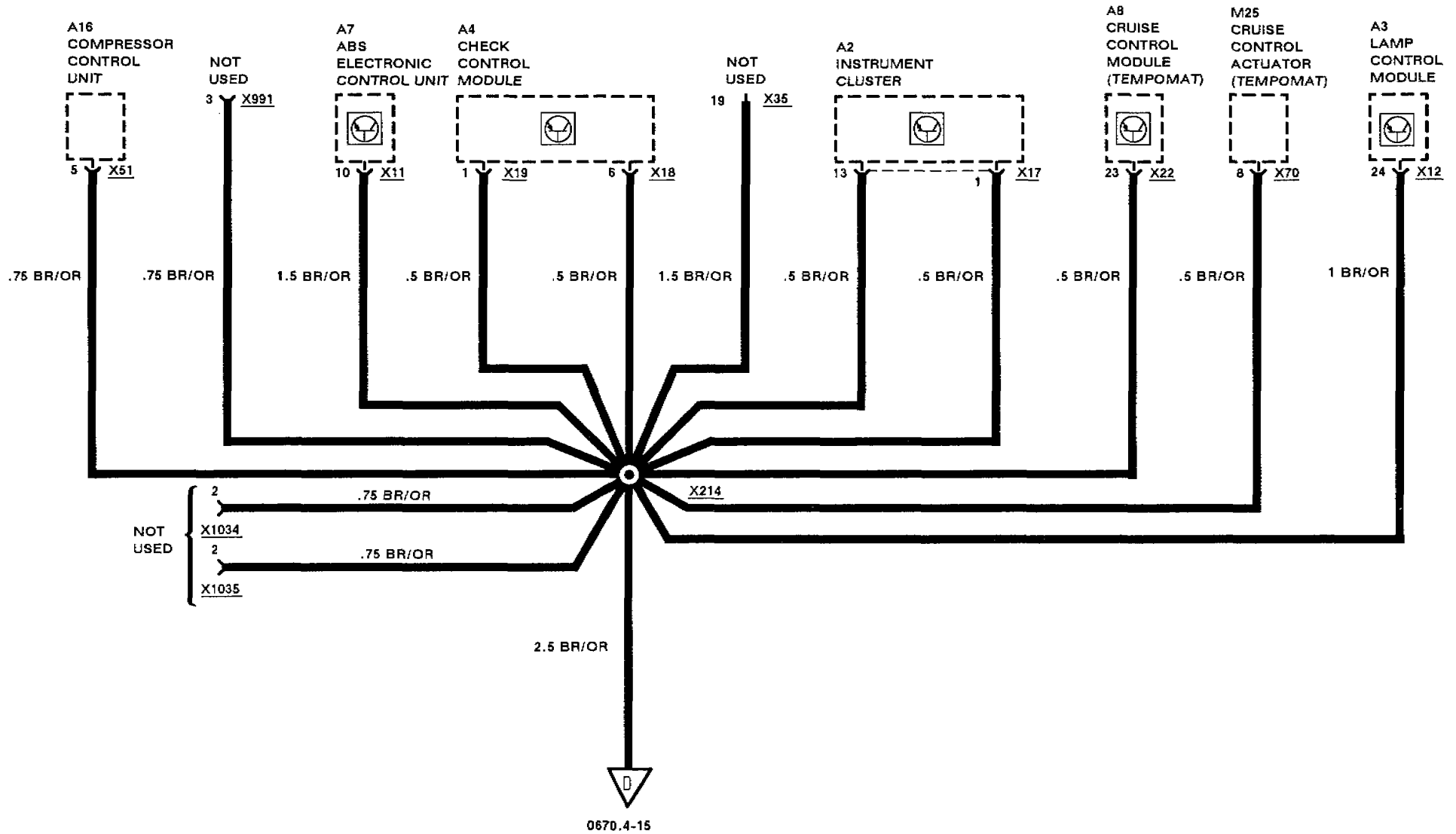






GROUND DISTRIBUTION

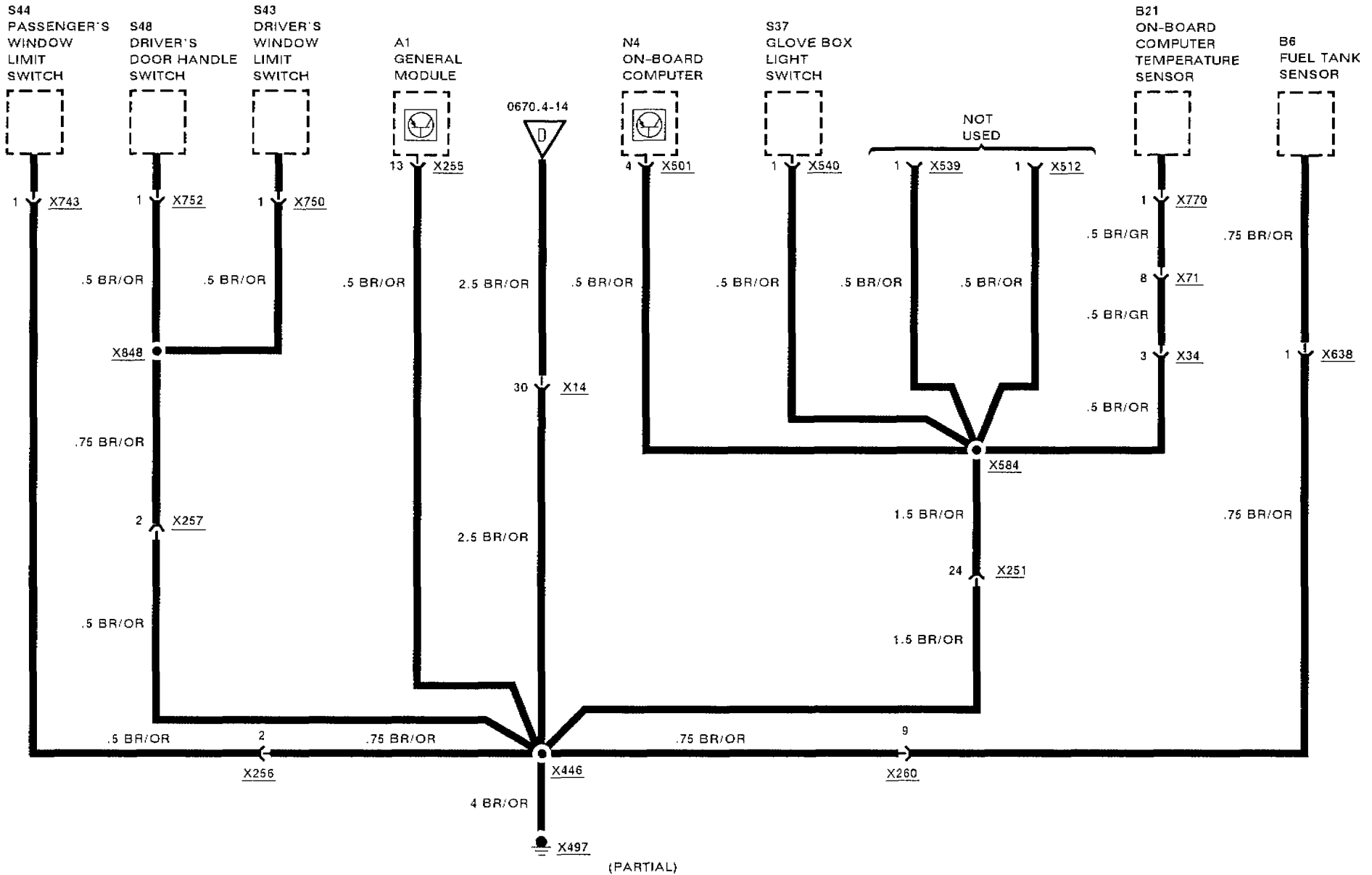
GROUND X497





GROUND DISTRIBUTION

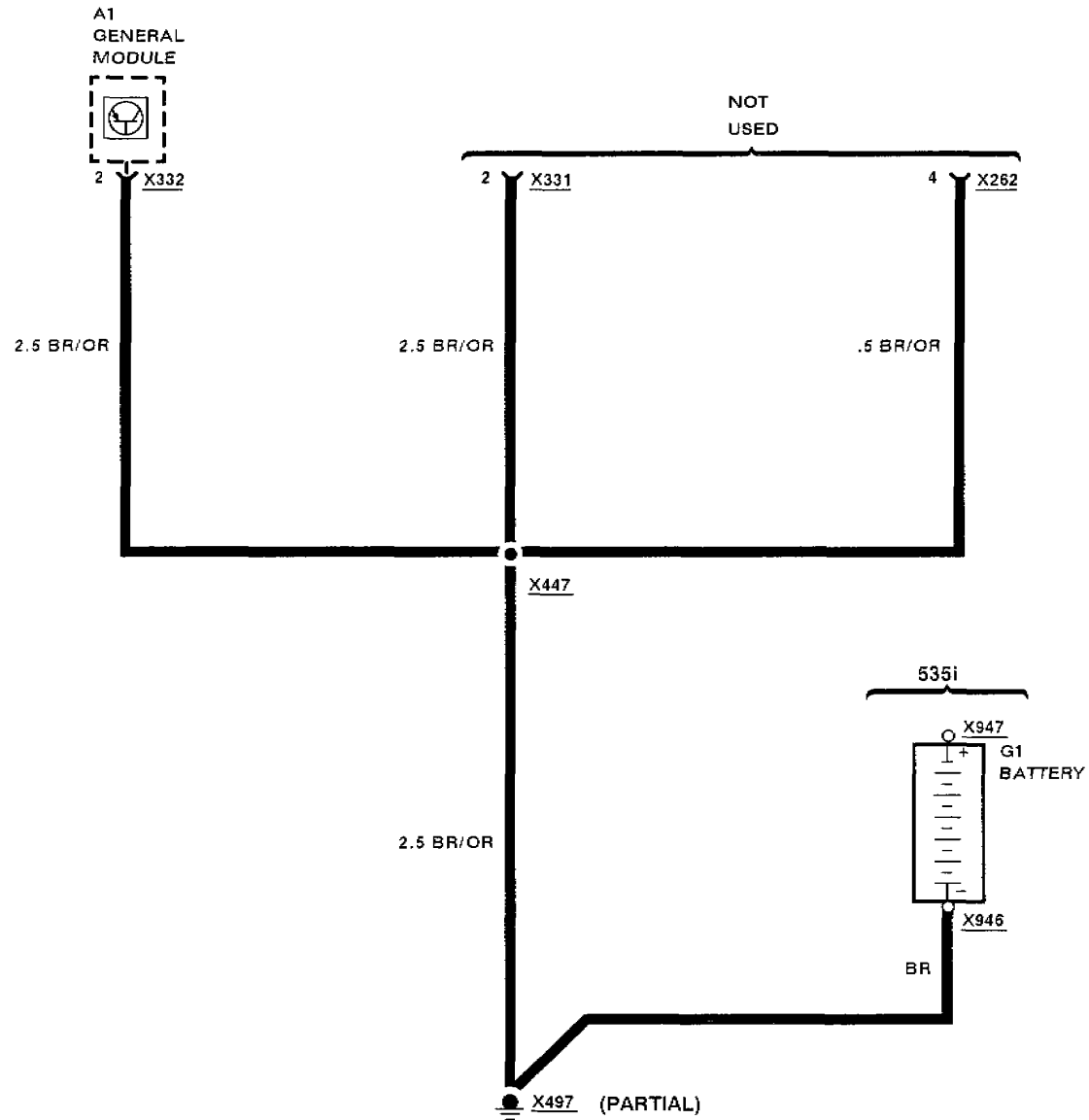
GROUND X497





GROUND DISTRIBUTION

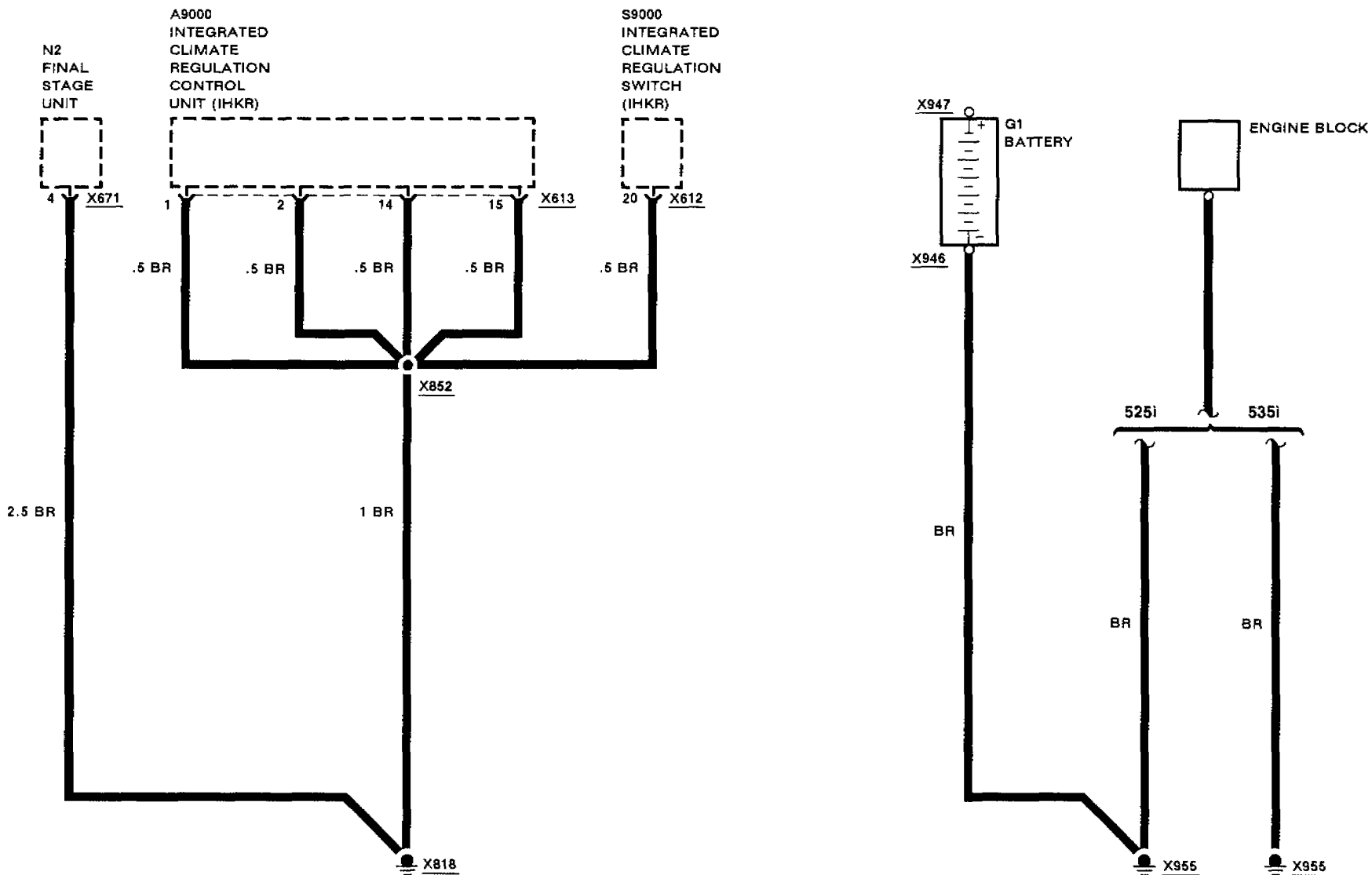
GROUND X497





GROUND DISTRIBUTION

GROUNDS X818 AND X955

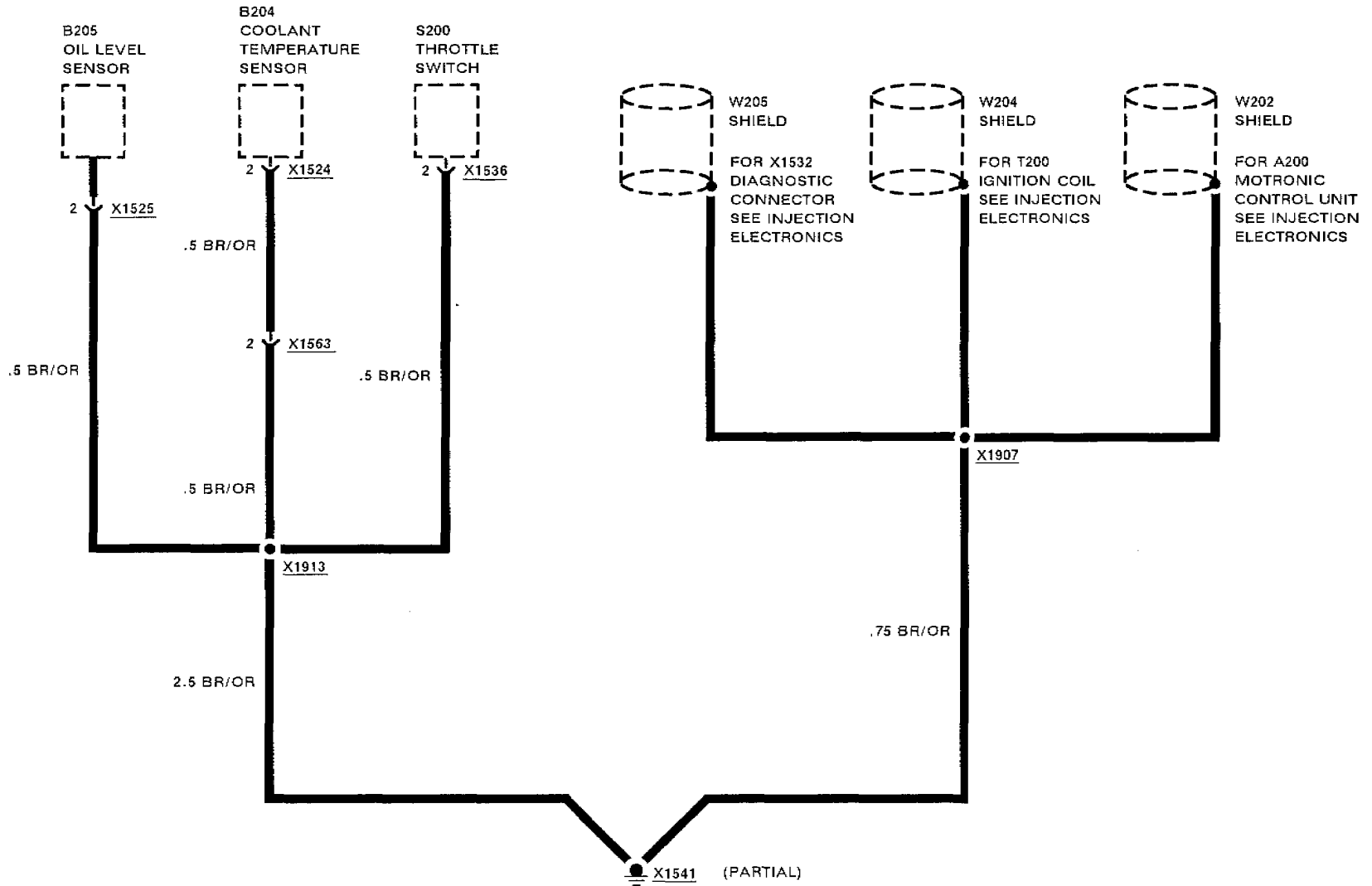




GROUND DISTRIBUTION

525i

GROUND X1541

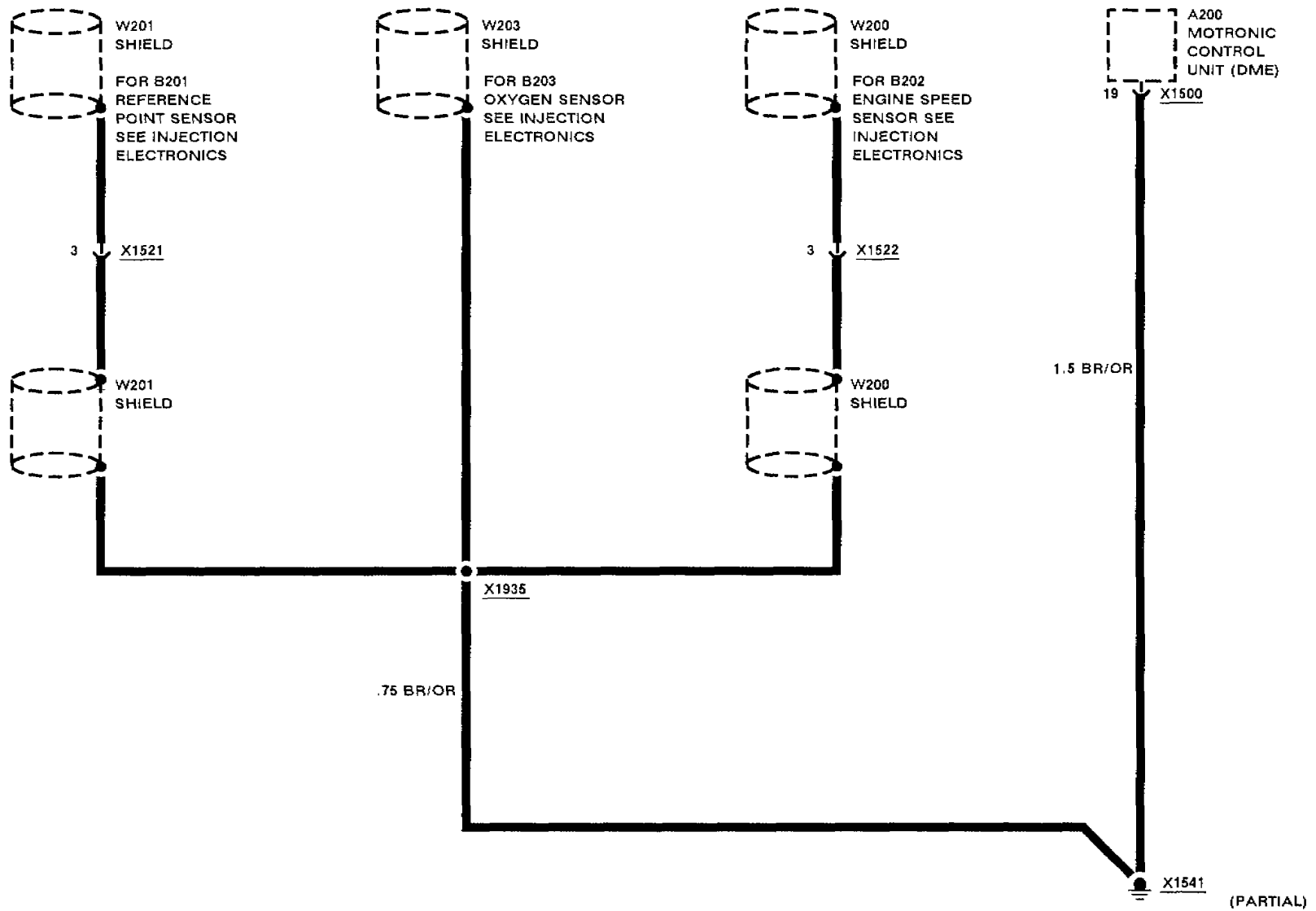




GROUND DISTRIBUTION

525i

GROUND X1541

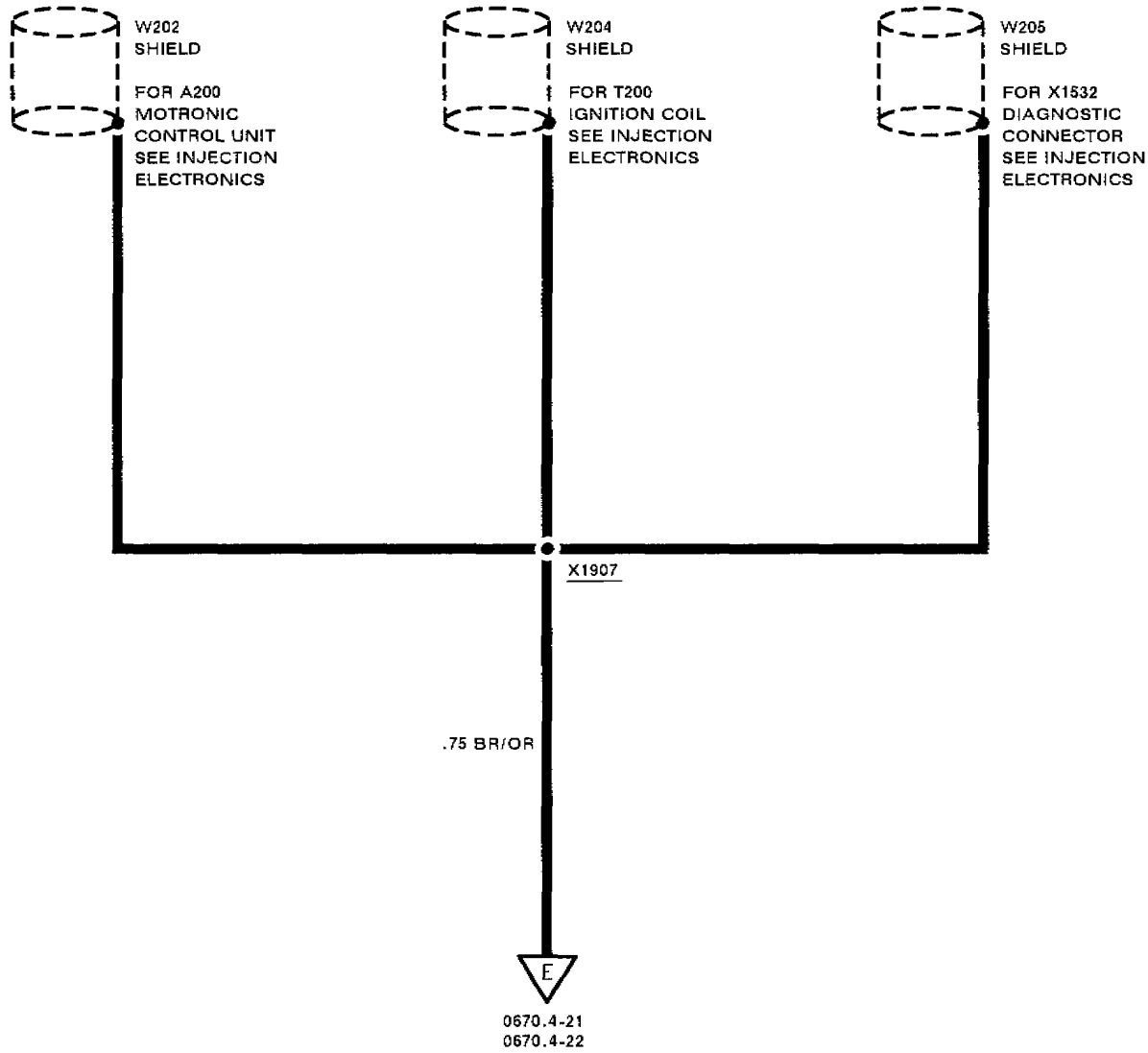




GROUND DISTRIBUTION

GROUND X1541

535i

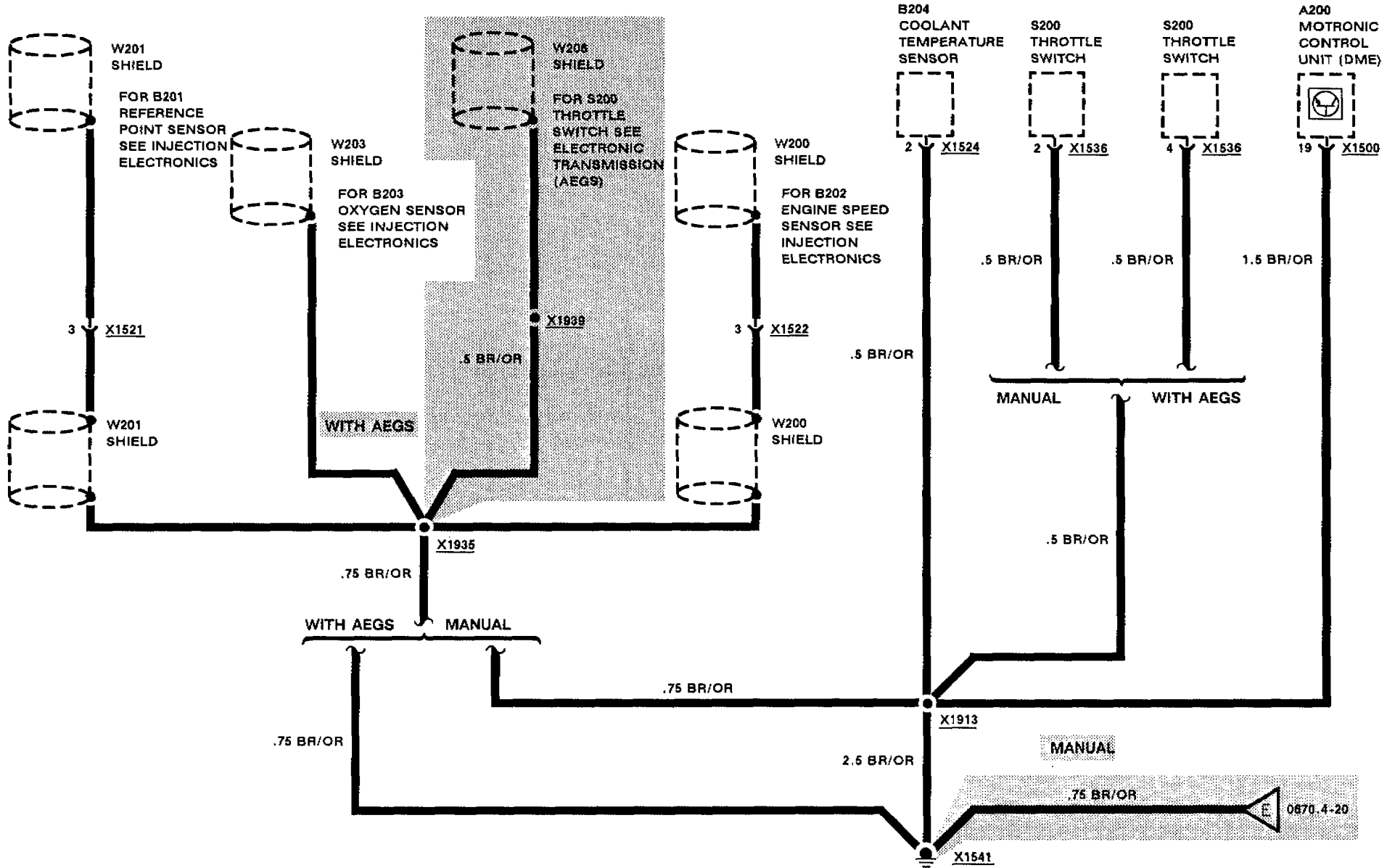




GROUND DISTRIBUTION

GROUND X1541

535i

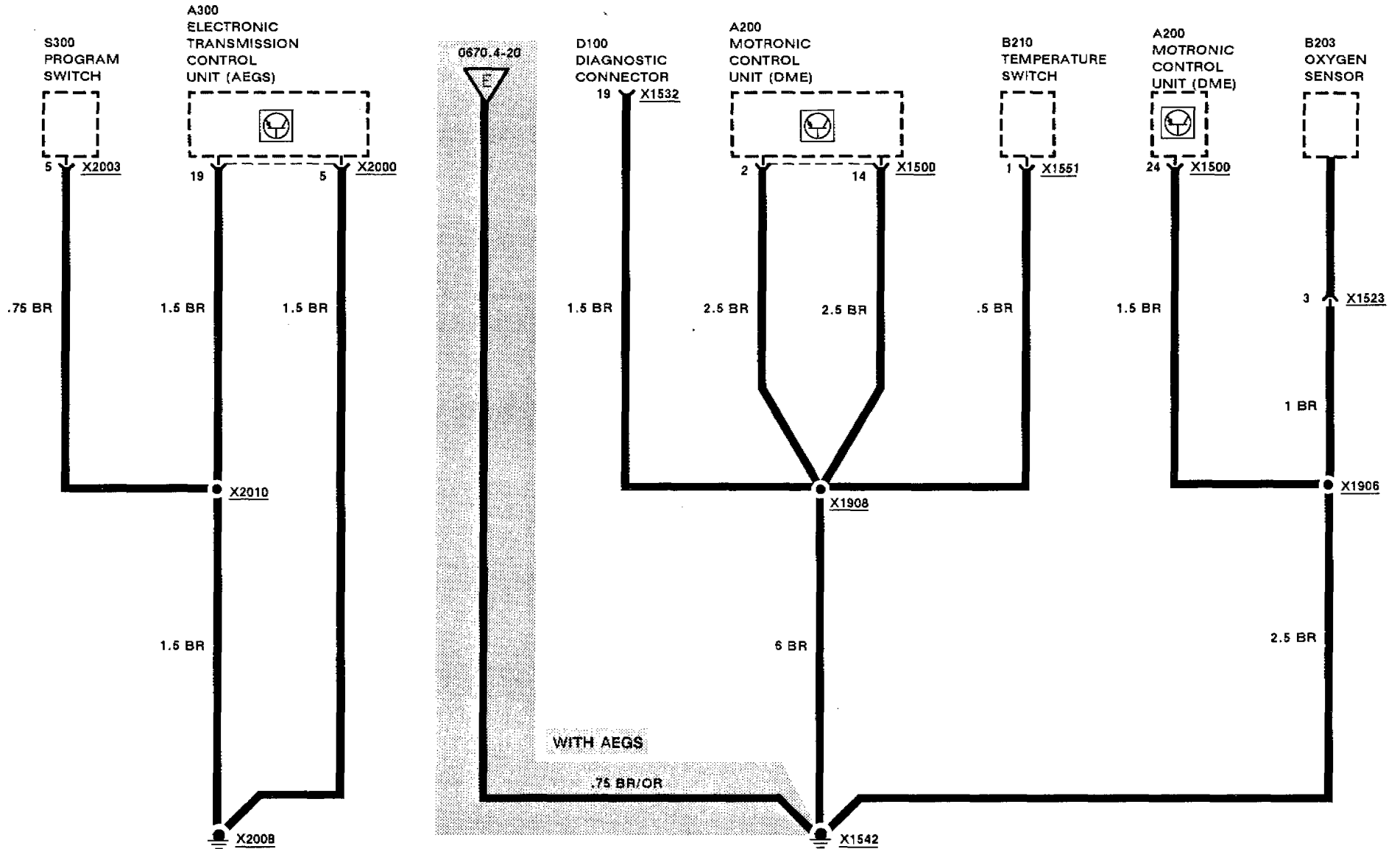




GROUND DISTRIBUTION

GROUNDS X1542 AND X2008

535i

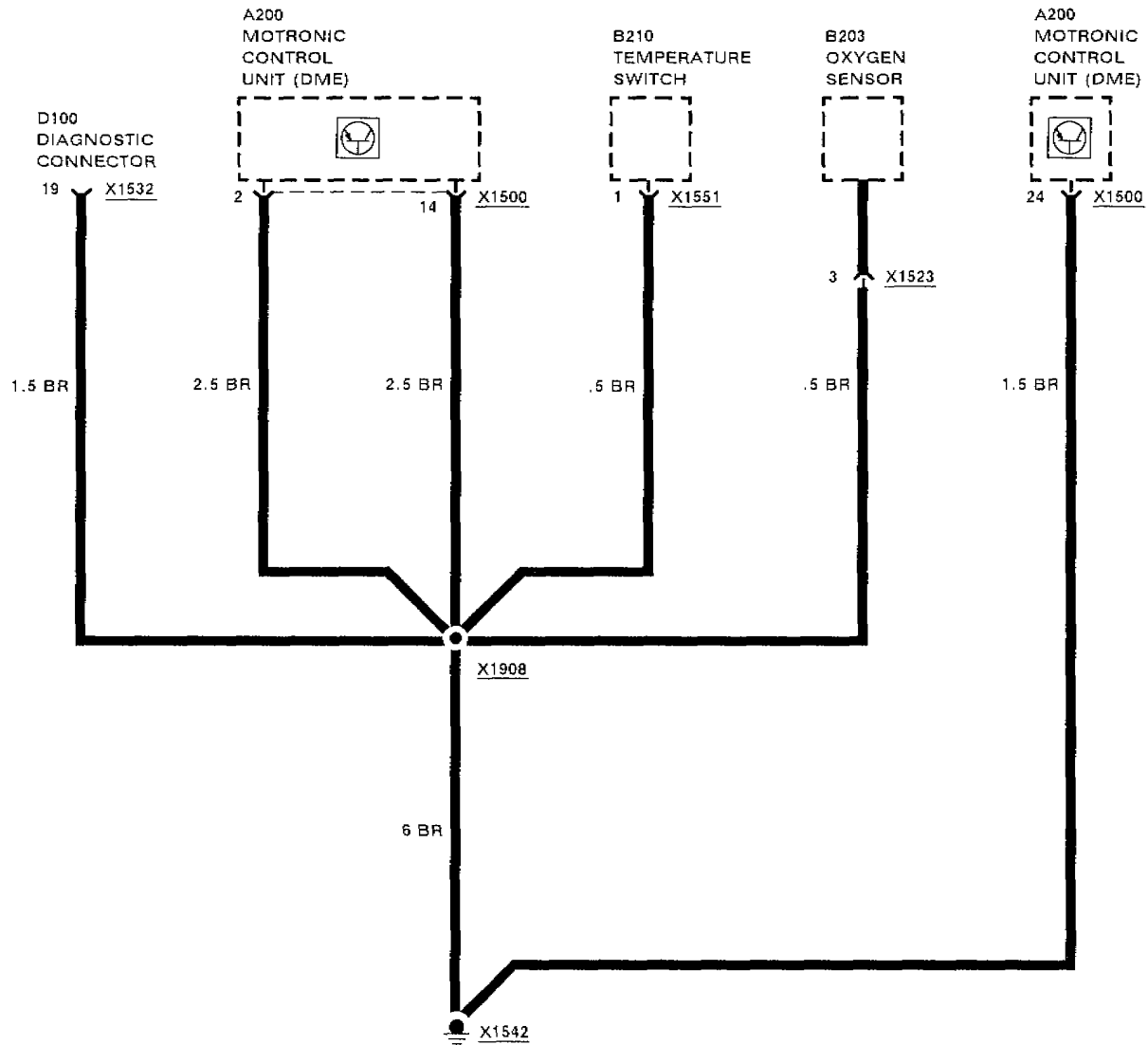




GROUND DISTRIBUTION

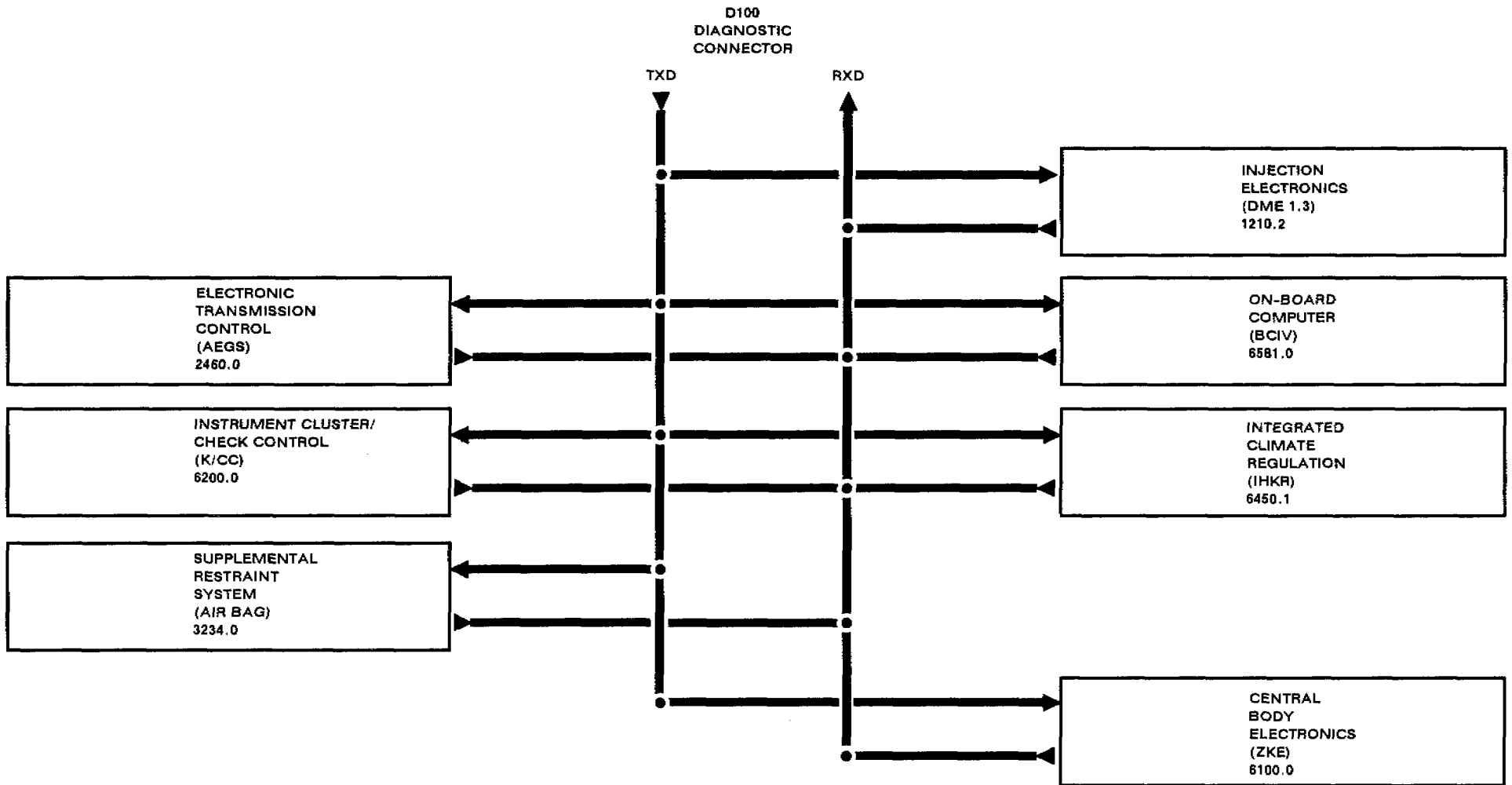
525i

GROUND X1542





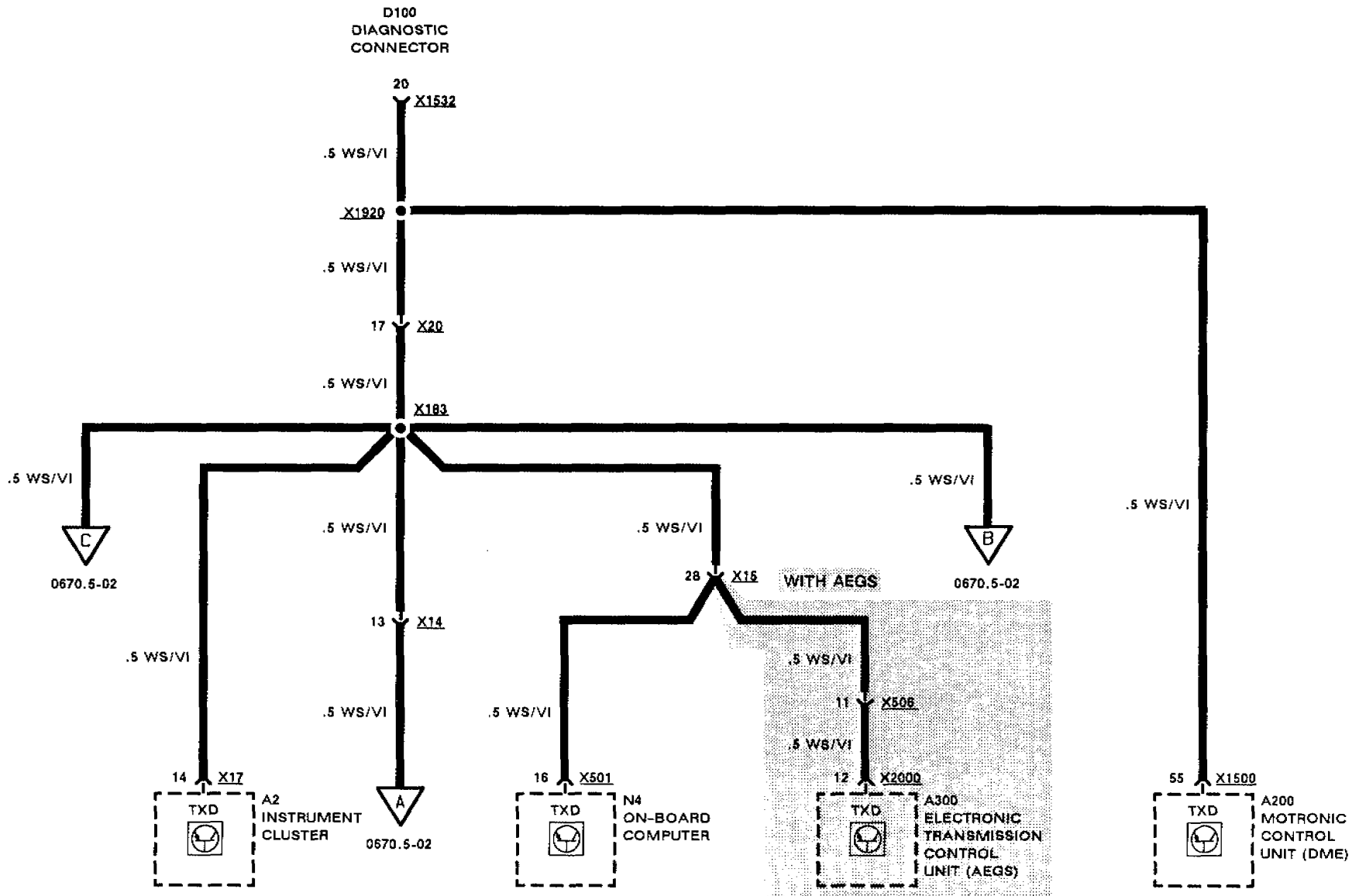
DIAGNOSTIC LINK BLOCK DIAGRAM





DIAGNOSTIC LINK

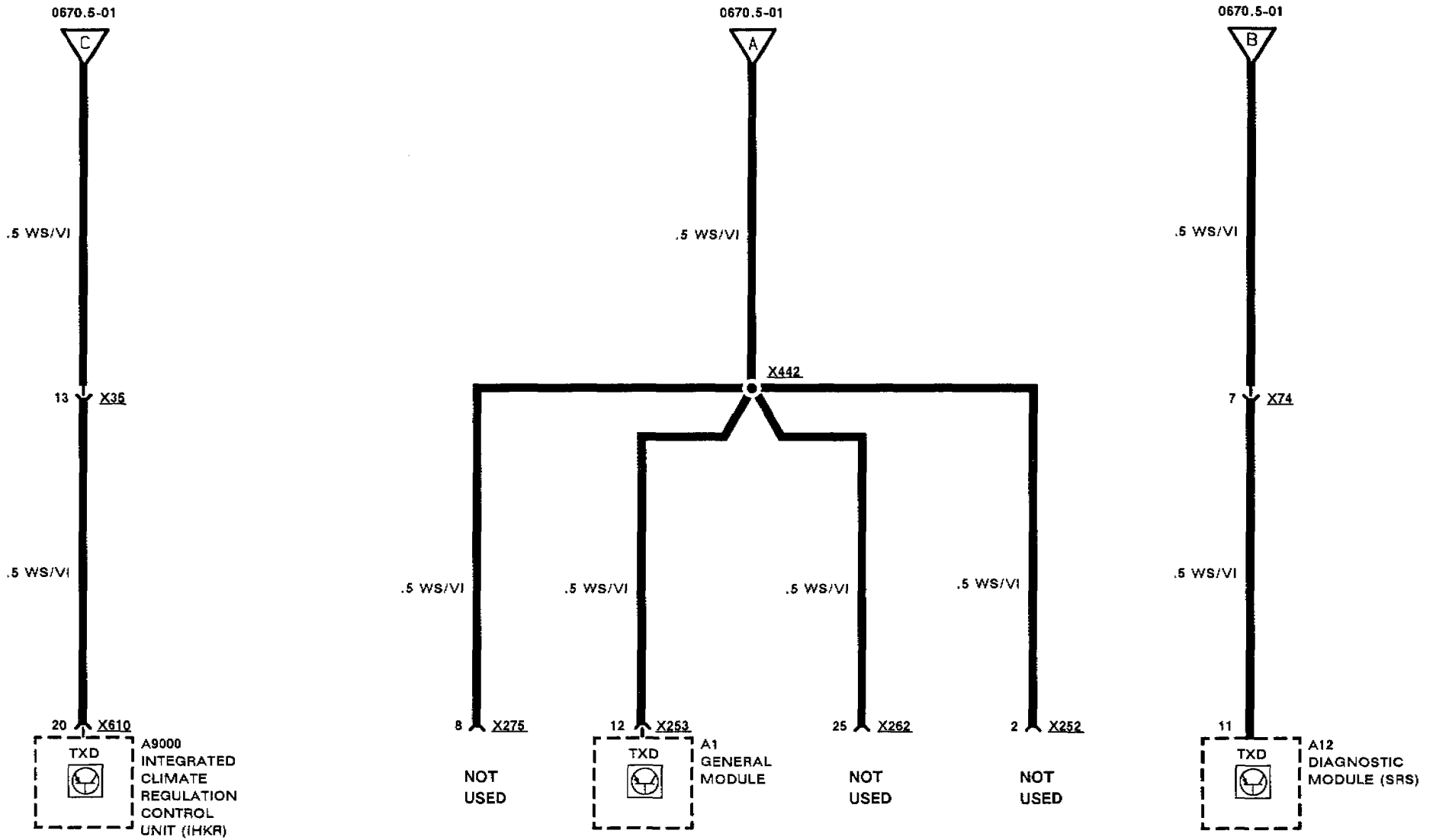
TXD





DIAGNOSTIC LINK

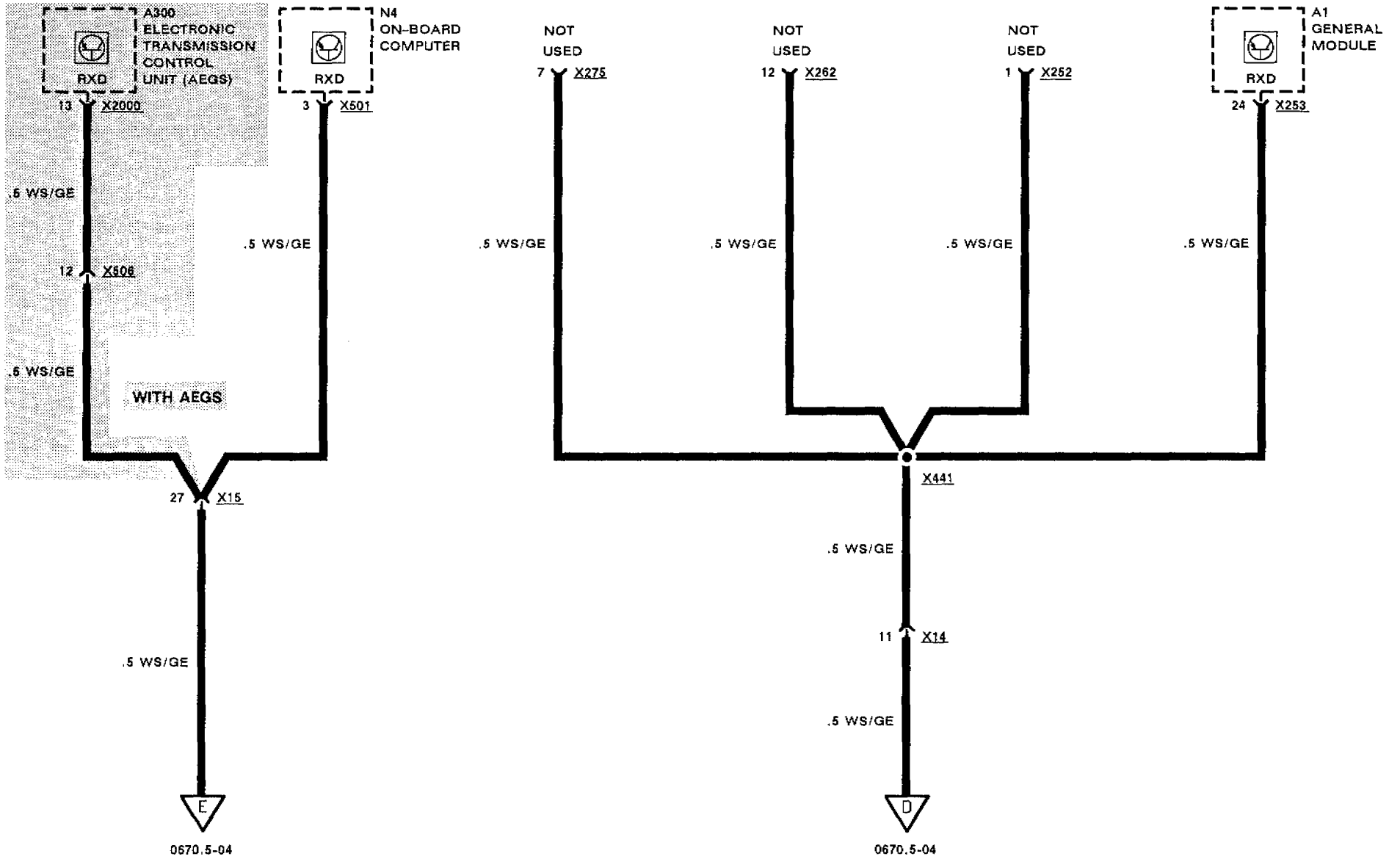
TXD



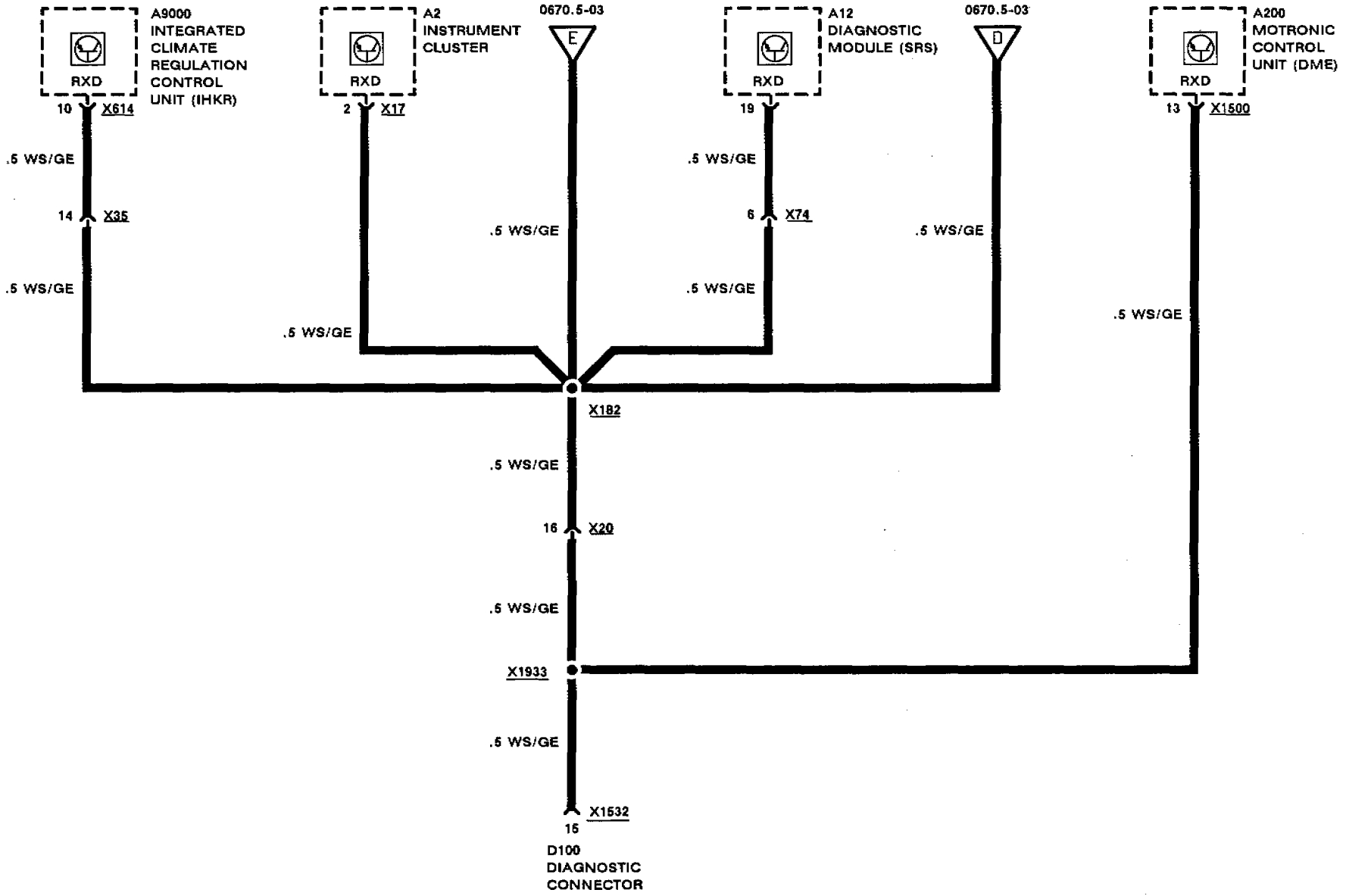


DIAGNOSTIC LINK

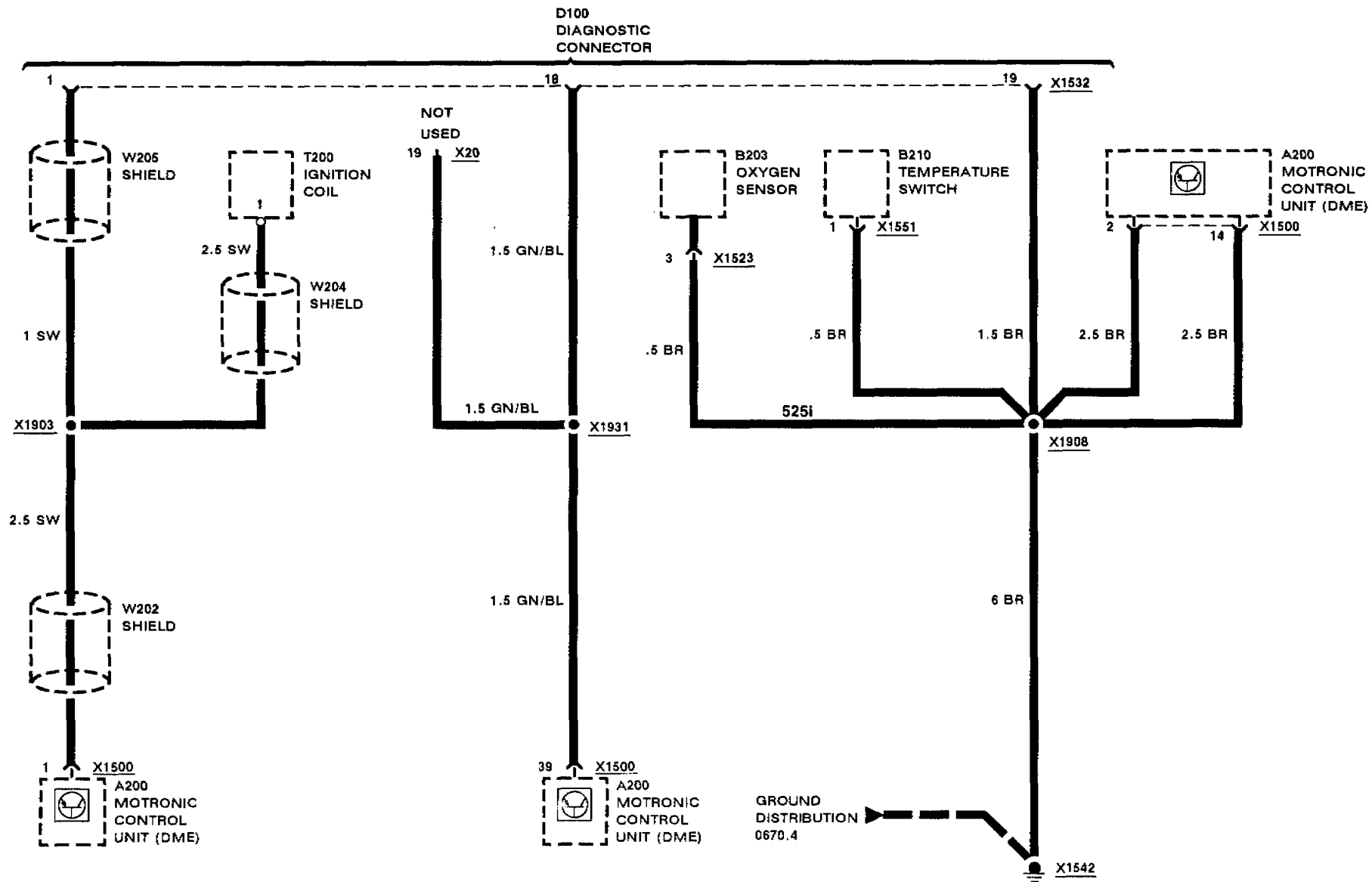
RXD



BMW 5 **DIAGNOSTIC LINK**
RXD

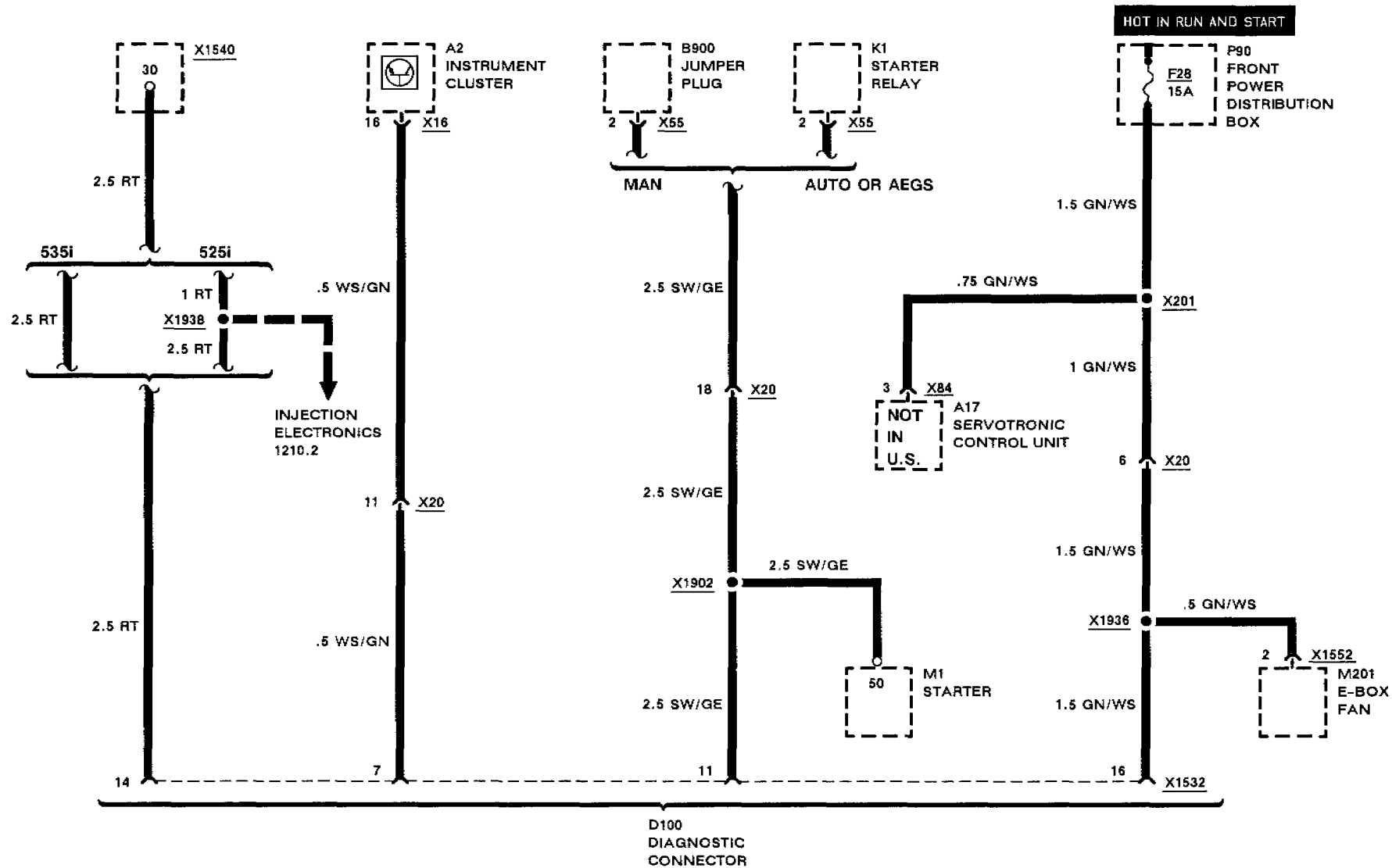


DIAGNOSTIC LINK



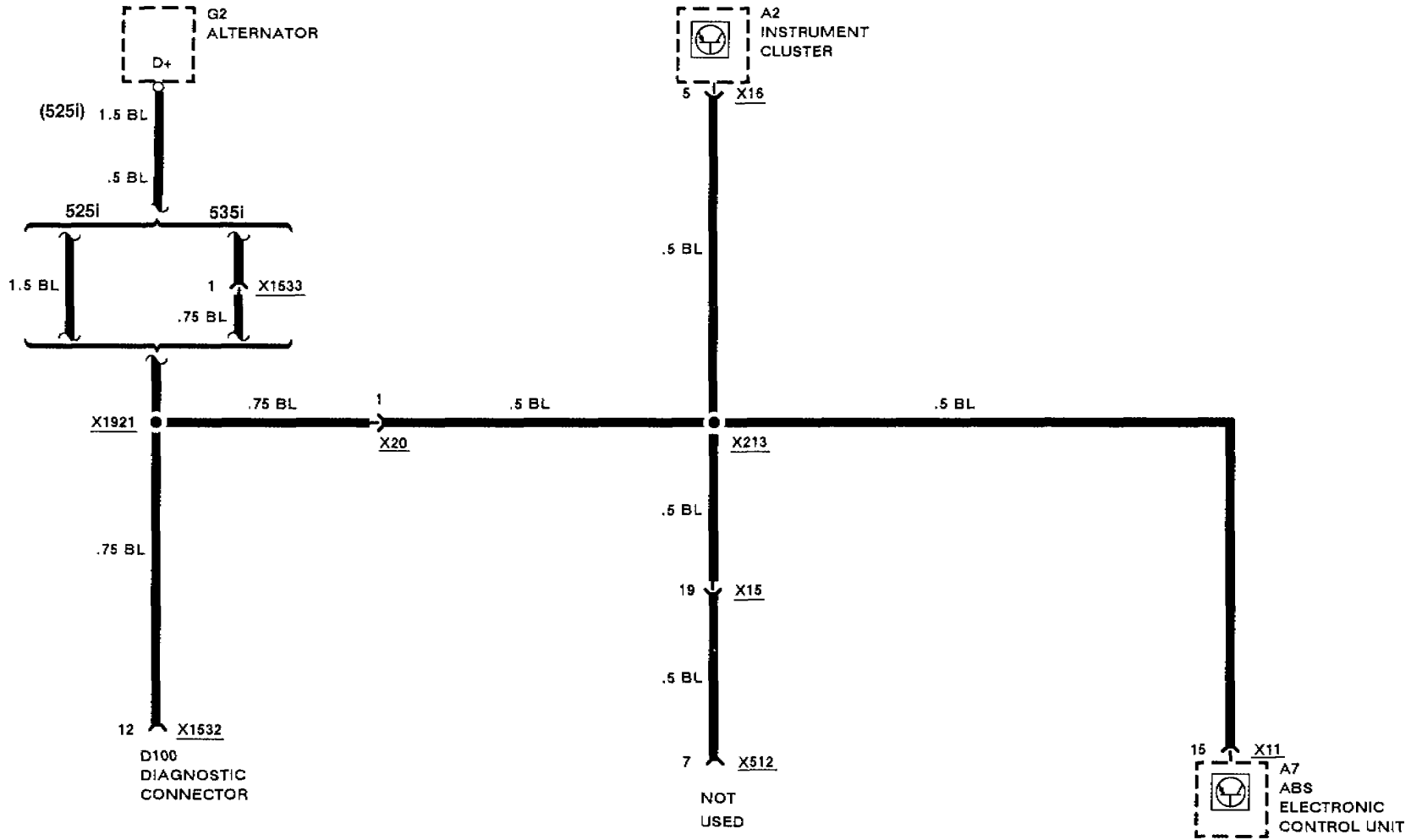


DIAGNOSTIC LINK





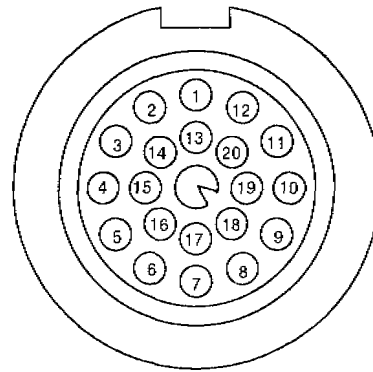
DIAGNOSTIC LINK





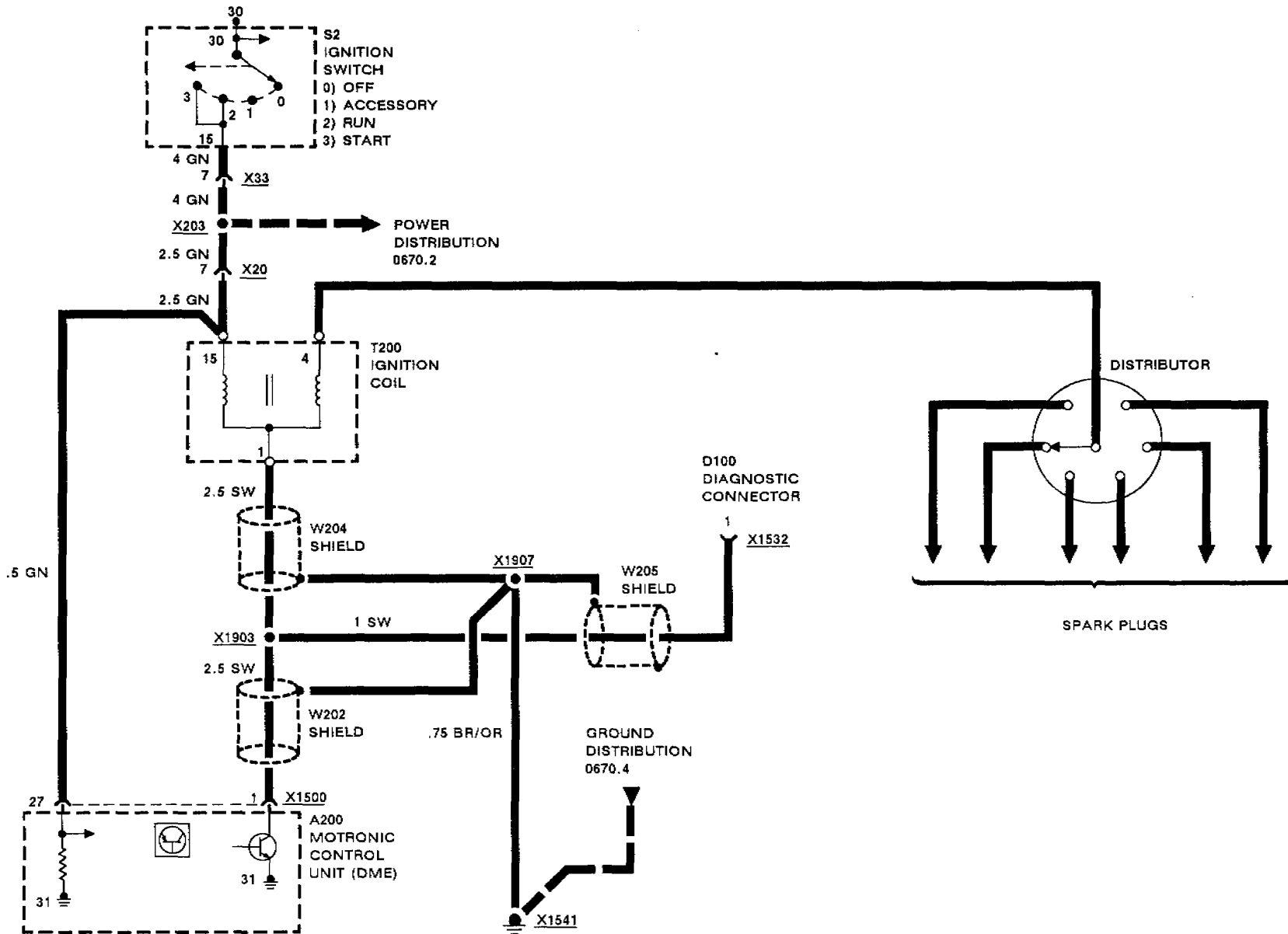
DIAGNOSTIC LINK

TXD (.5 WS/VI) 20
GROUND X1542
A200 MOTRONIC CONTROL UNIT (1210.2) (1.5 GN/BL) 18
NOT USED 17
M201 E-BOX FAN (1290.0) A17 SERVOTRONIC CONTROL UNIT (3240.0) FUSE 28 (0670.3) (1.5 GN/WS) 16
RXD (.5 WS/GE) 15
X1540 B+ JUNCTION POST (1210.2) FOR E-BOX (2.5 RT) 14
NOT USED 13
G2 ALTERNATOR (1230.0) A2 INSTRUMENT CLUSTER (6200.0) A7 ABS CONTROL UNIT (3450.0) (.75 BL) 12
B900 JUMPER PLUG (1240.0) K1 STARTER RELAY (1240.0) M1 STARTER (1240.0) (2.5 SW/GE) 11



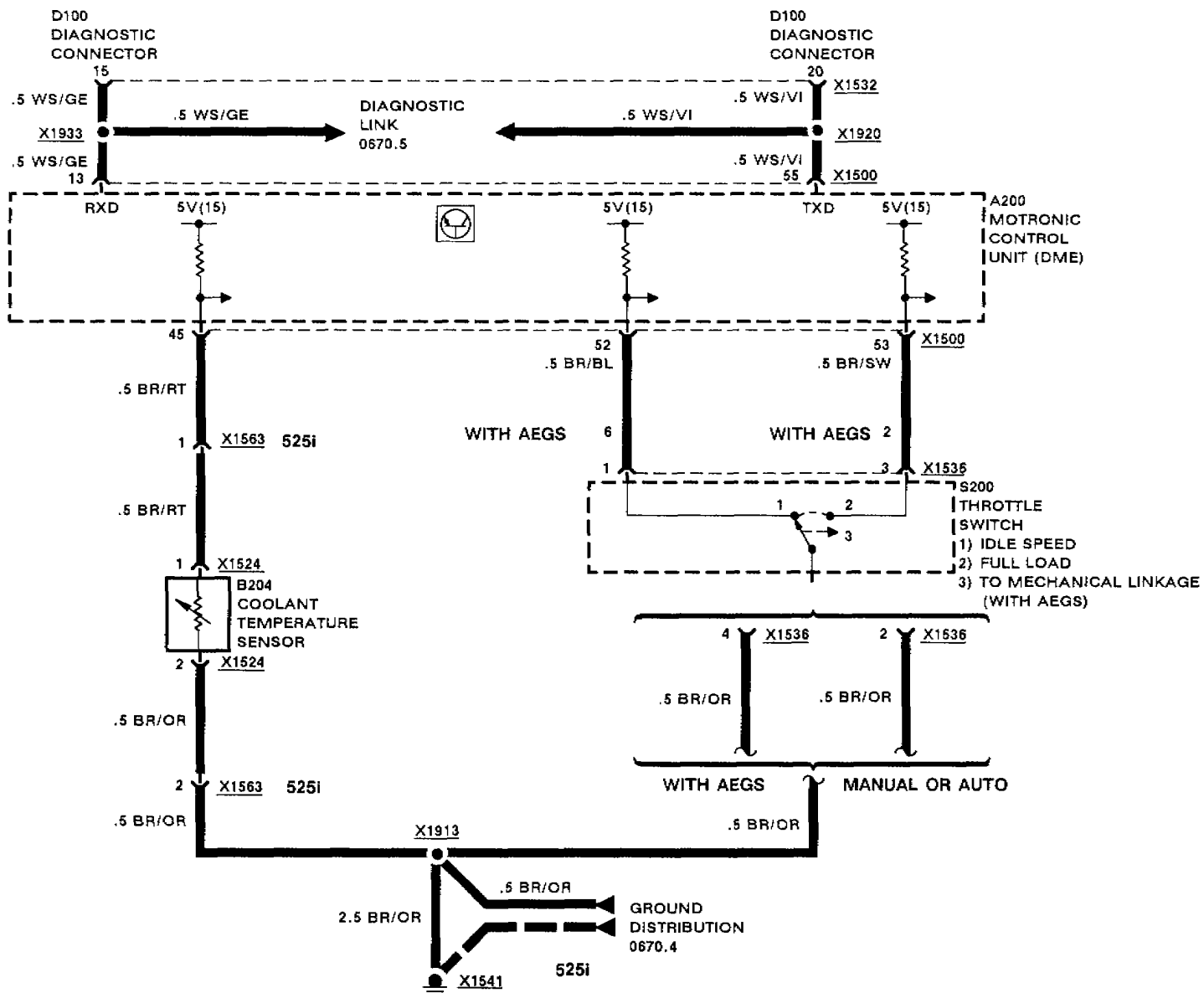
NOT USED 10
NOT USED 9
NOT USED 8
A2 INSTRUMENT CLUSTER (6200.0) 7 (.5 WS/GN)
NOT USED 6
NOT USED 5
NOT USED 4
NOT USED 3
NOT USED 2
T200 IGNITION COIL (1210.2) A200 MOTRONIC CONTROL UNIT (1210.2) 1 (1 SW)

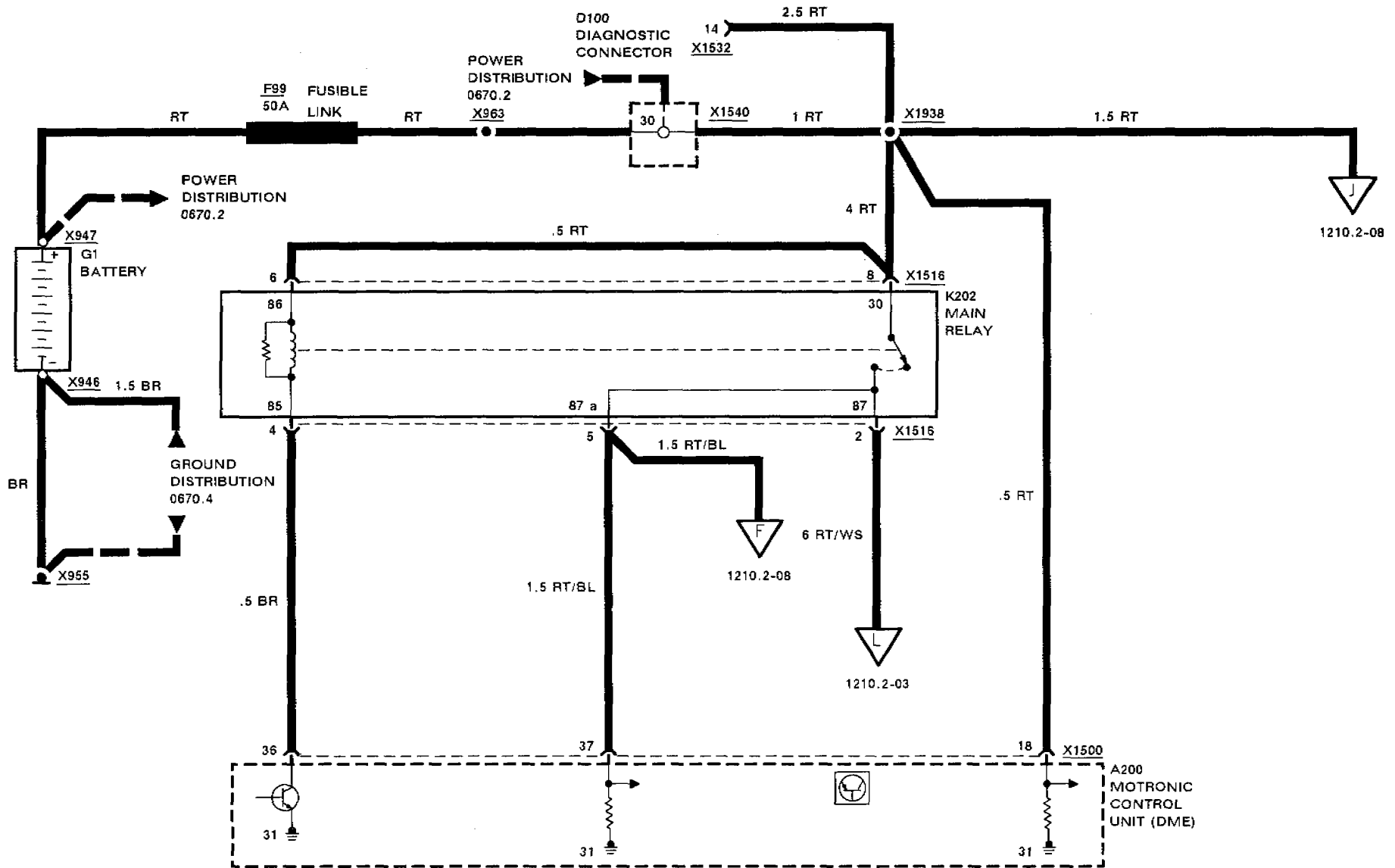
INJECTION ELECTRONICS (DME 1.3)

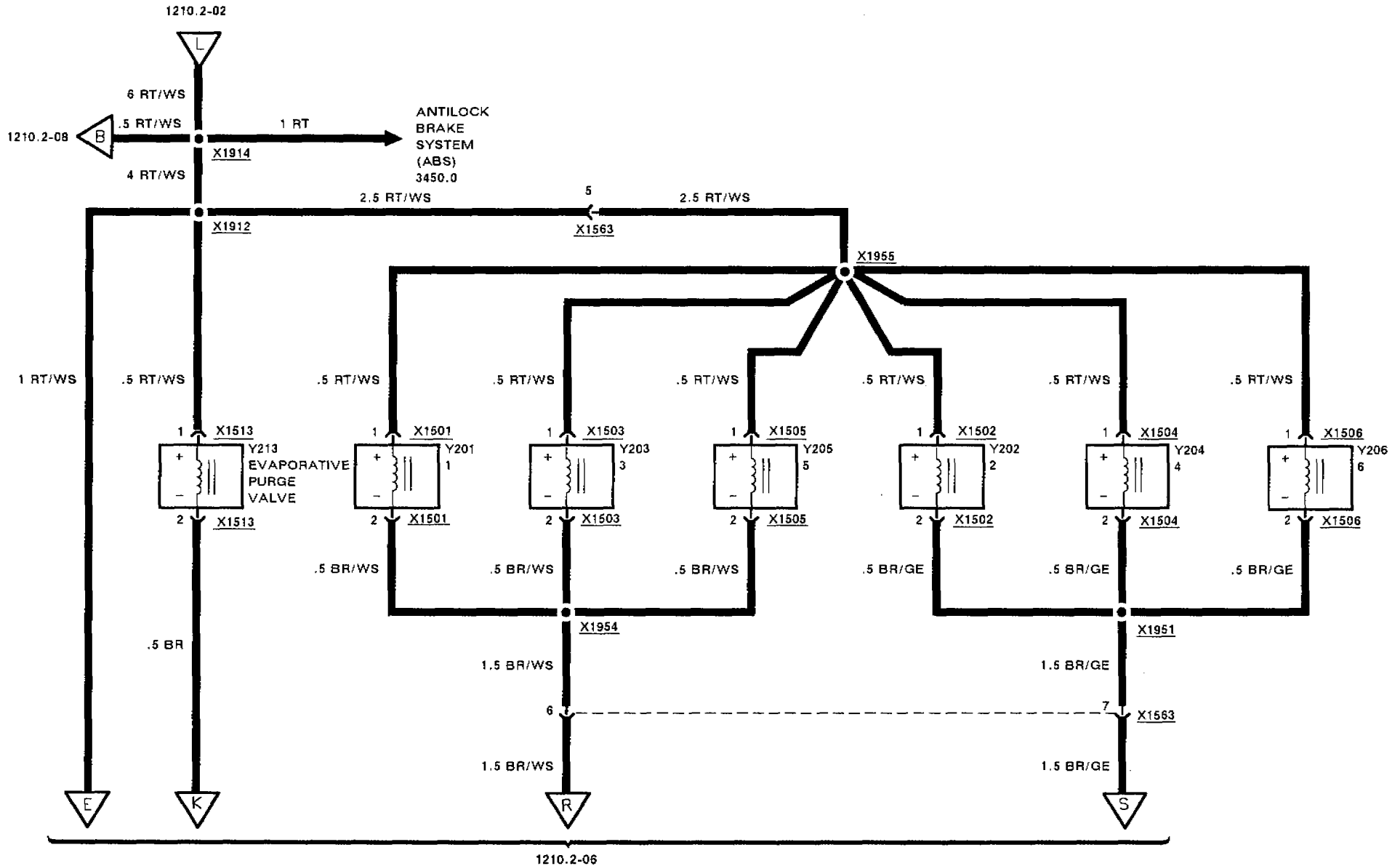


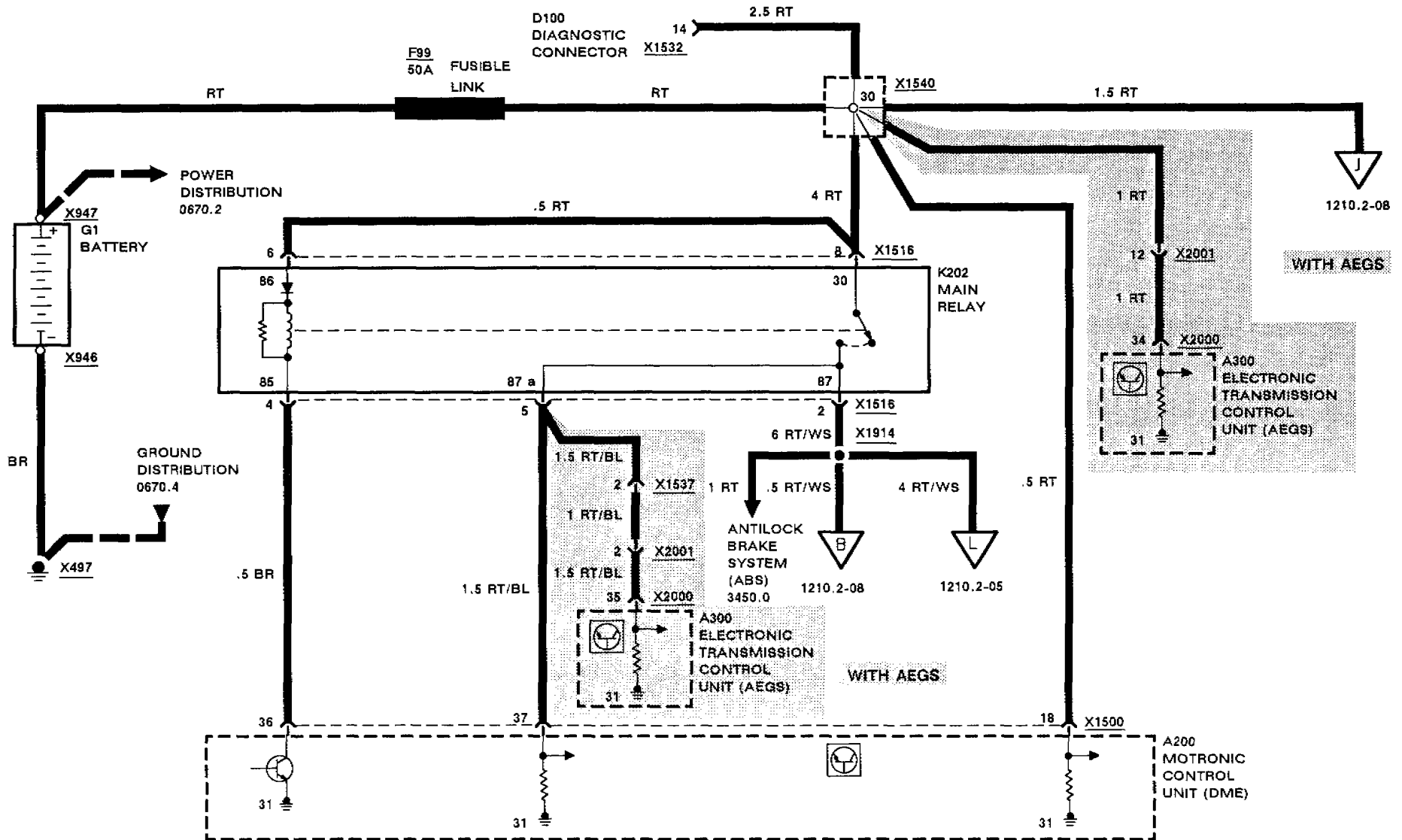


INJECTION ELECTRONICS (DME 1.3)







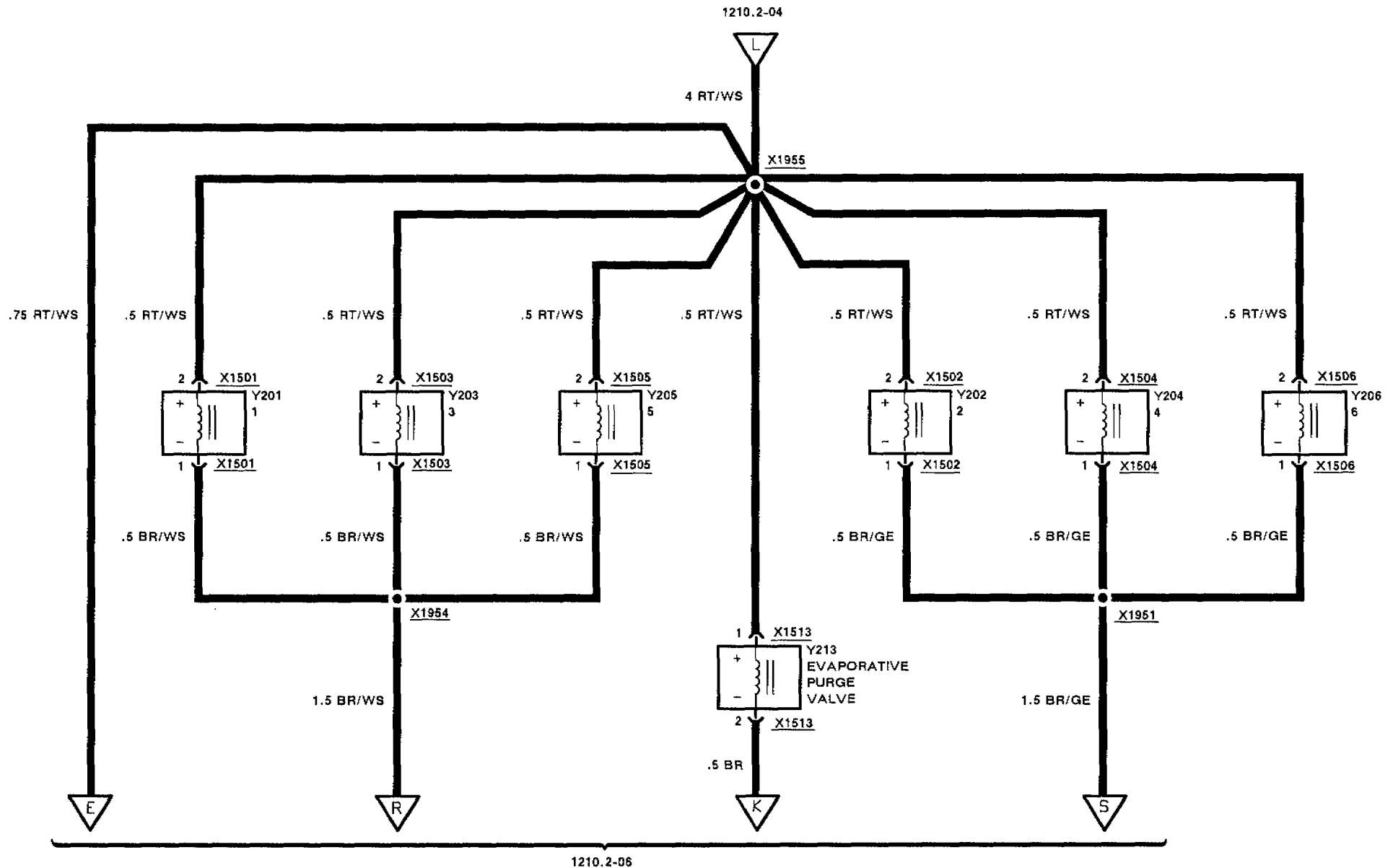




INJECTION ELECTRONICS (DME 1.3)

FUEL INJECTORS

535i



2/89

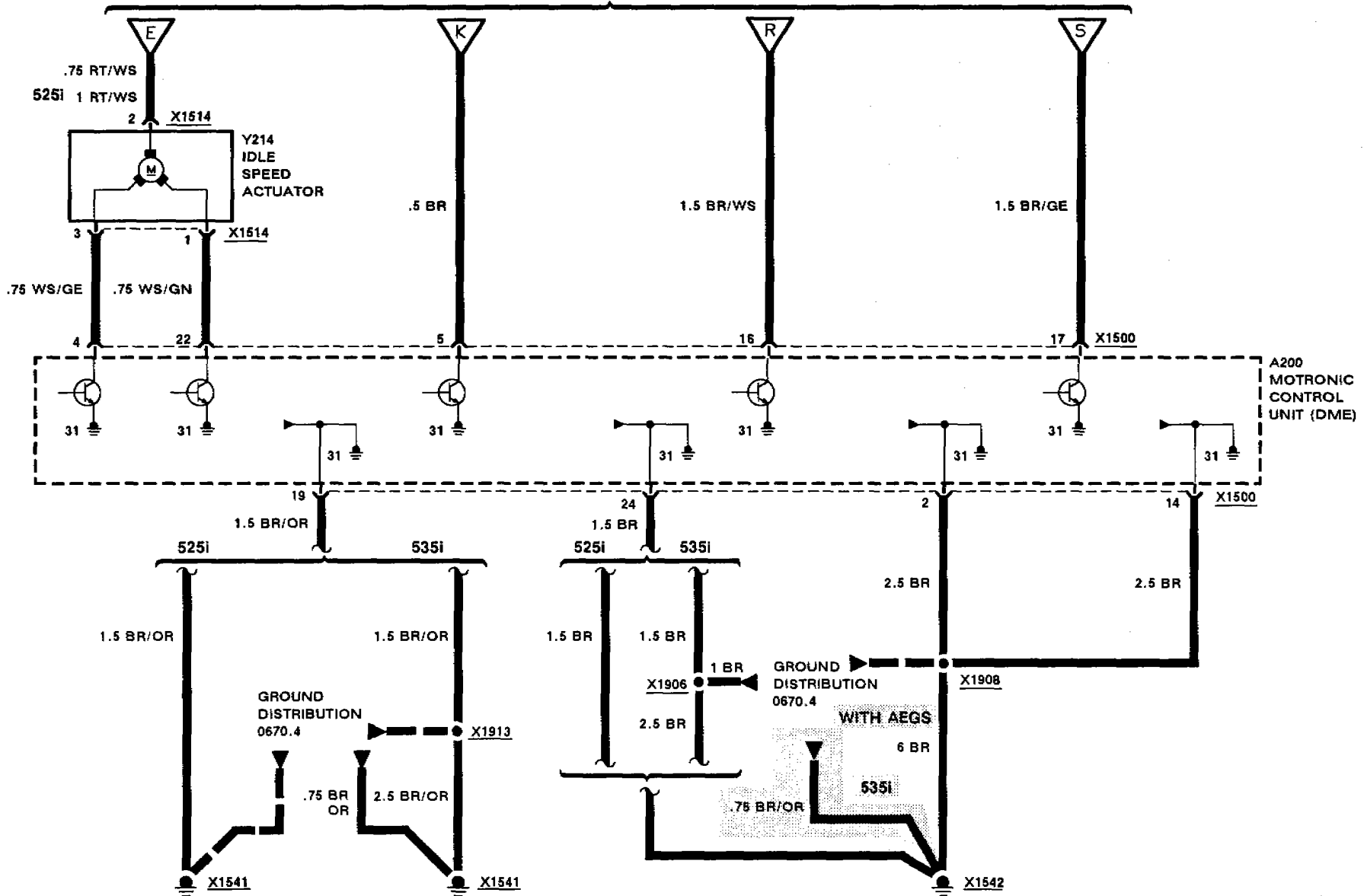
1210.2-05

1989



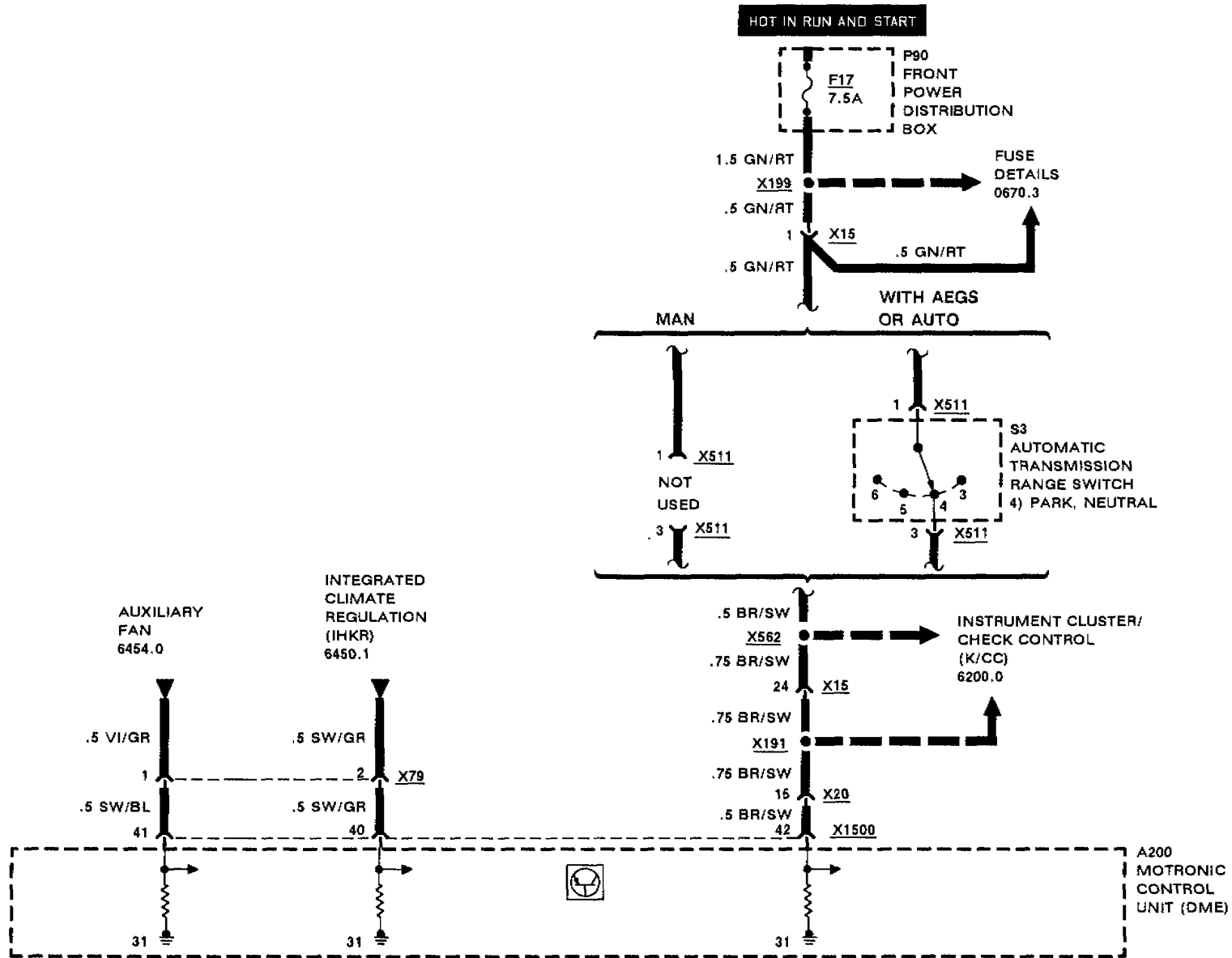
INJECTION ELECTRONICS (DME 1.3)

1210.2-03
1210.2-05



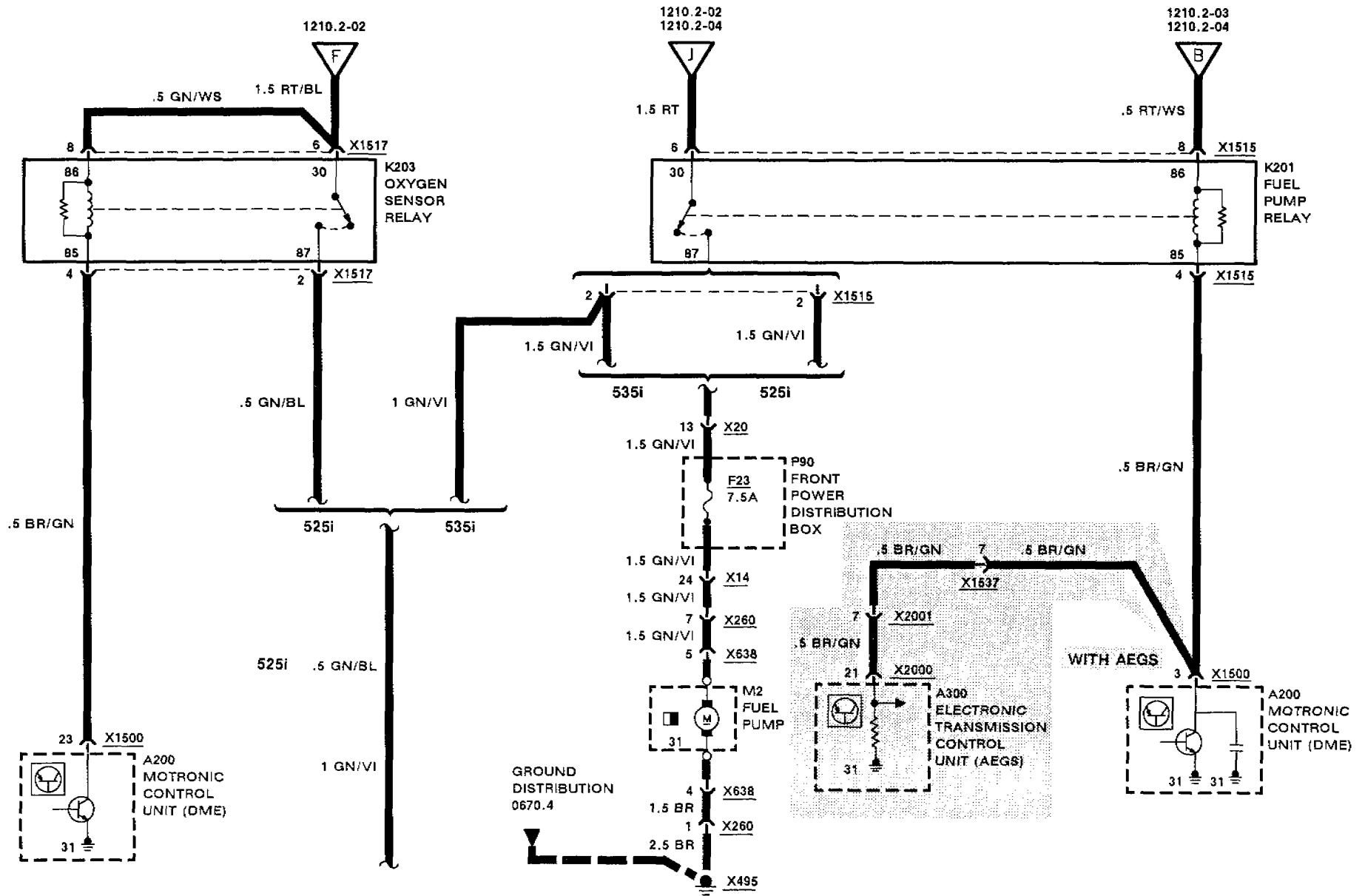


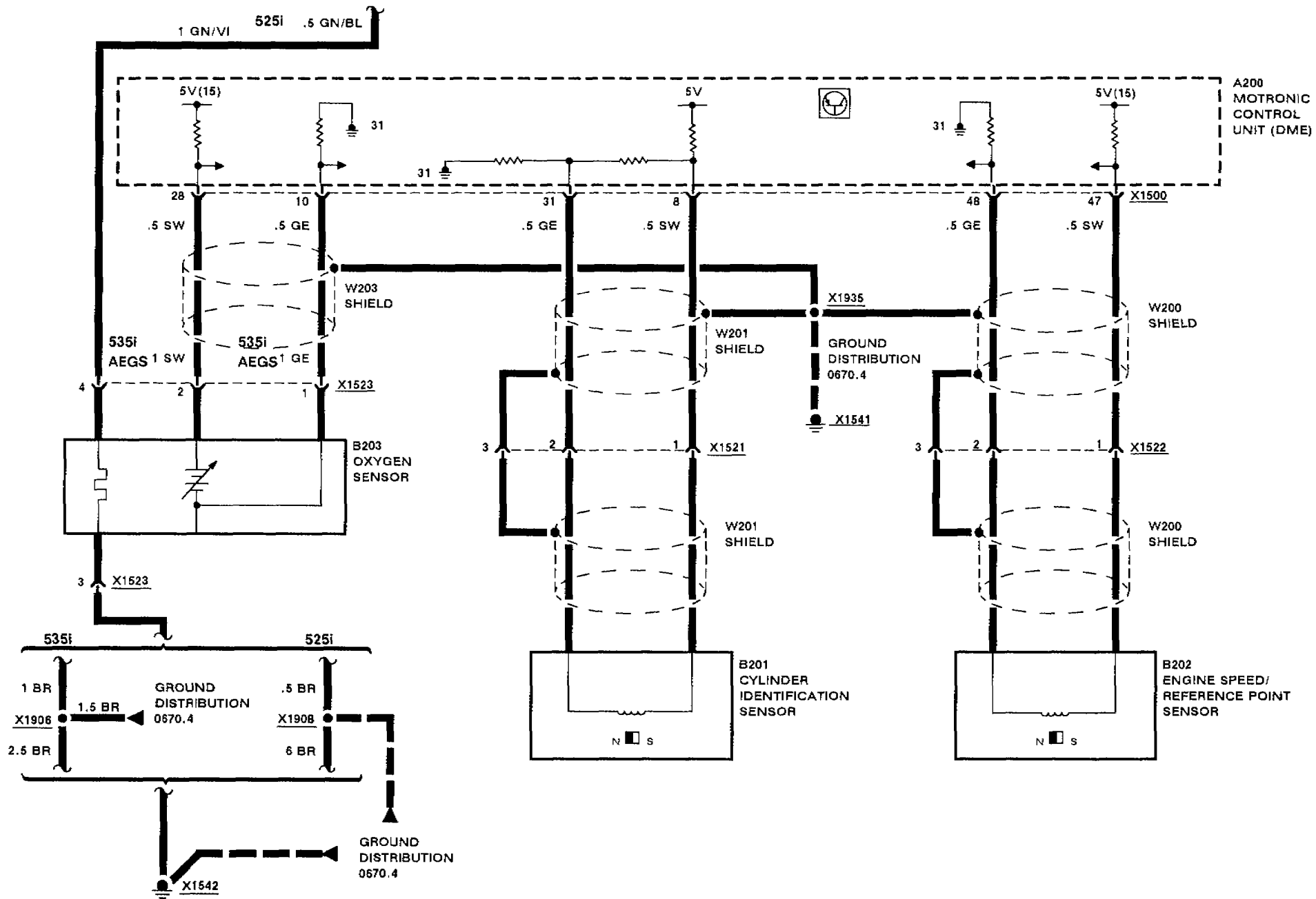
INJECTION ELECTRONICS (DME 1.3)





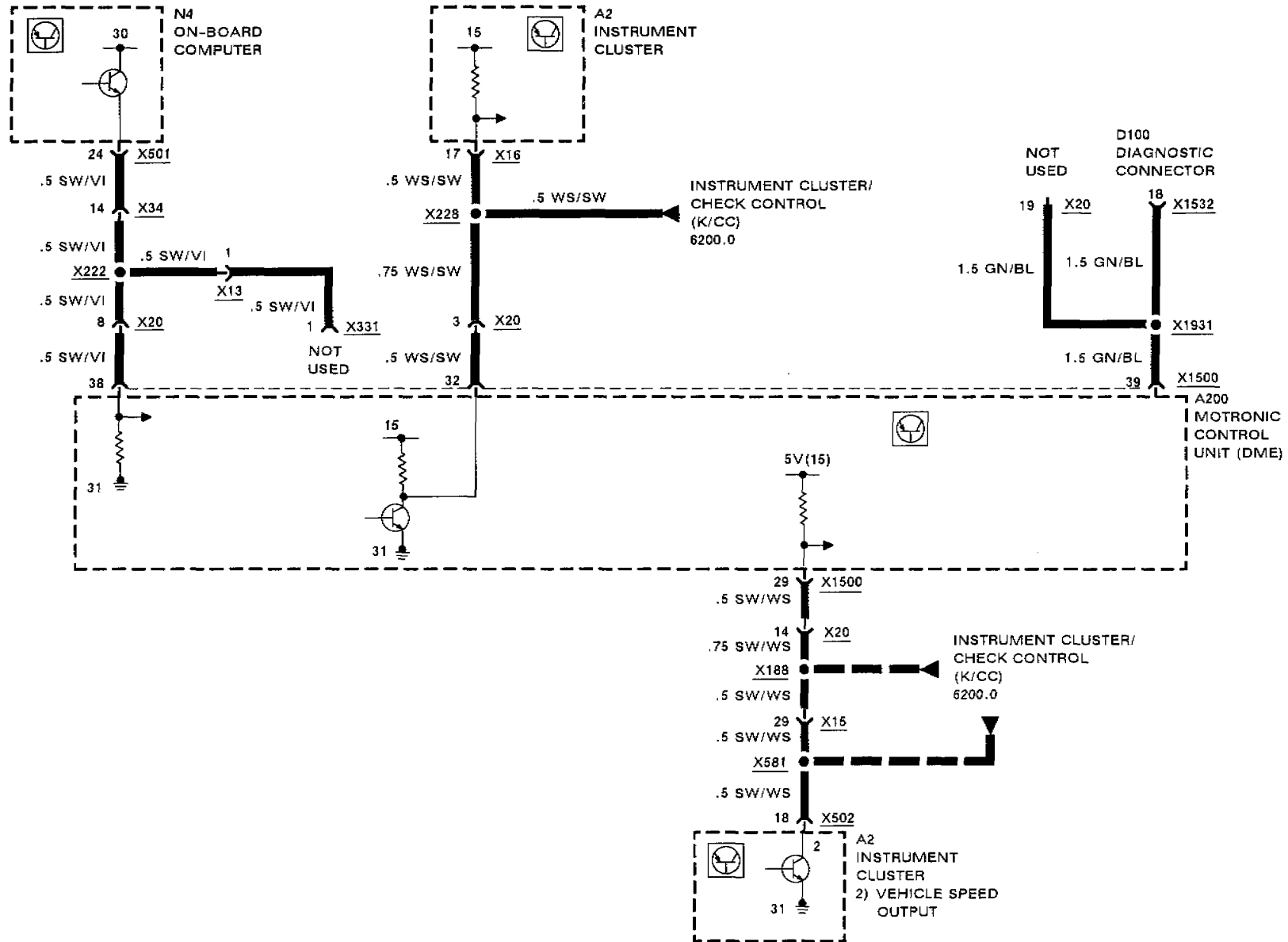
INJECTION ELECTRONICS (DME 1.3)





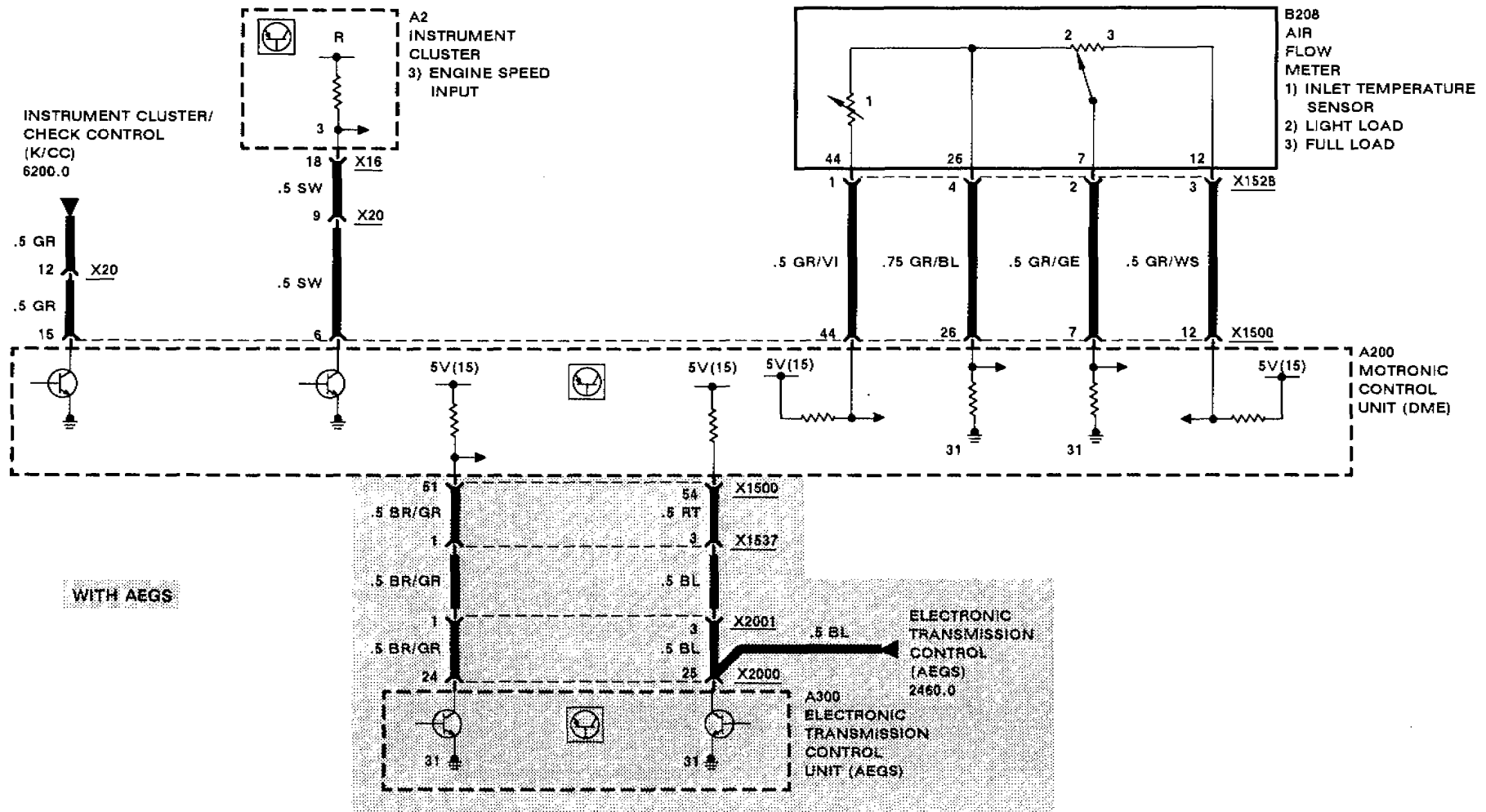


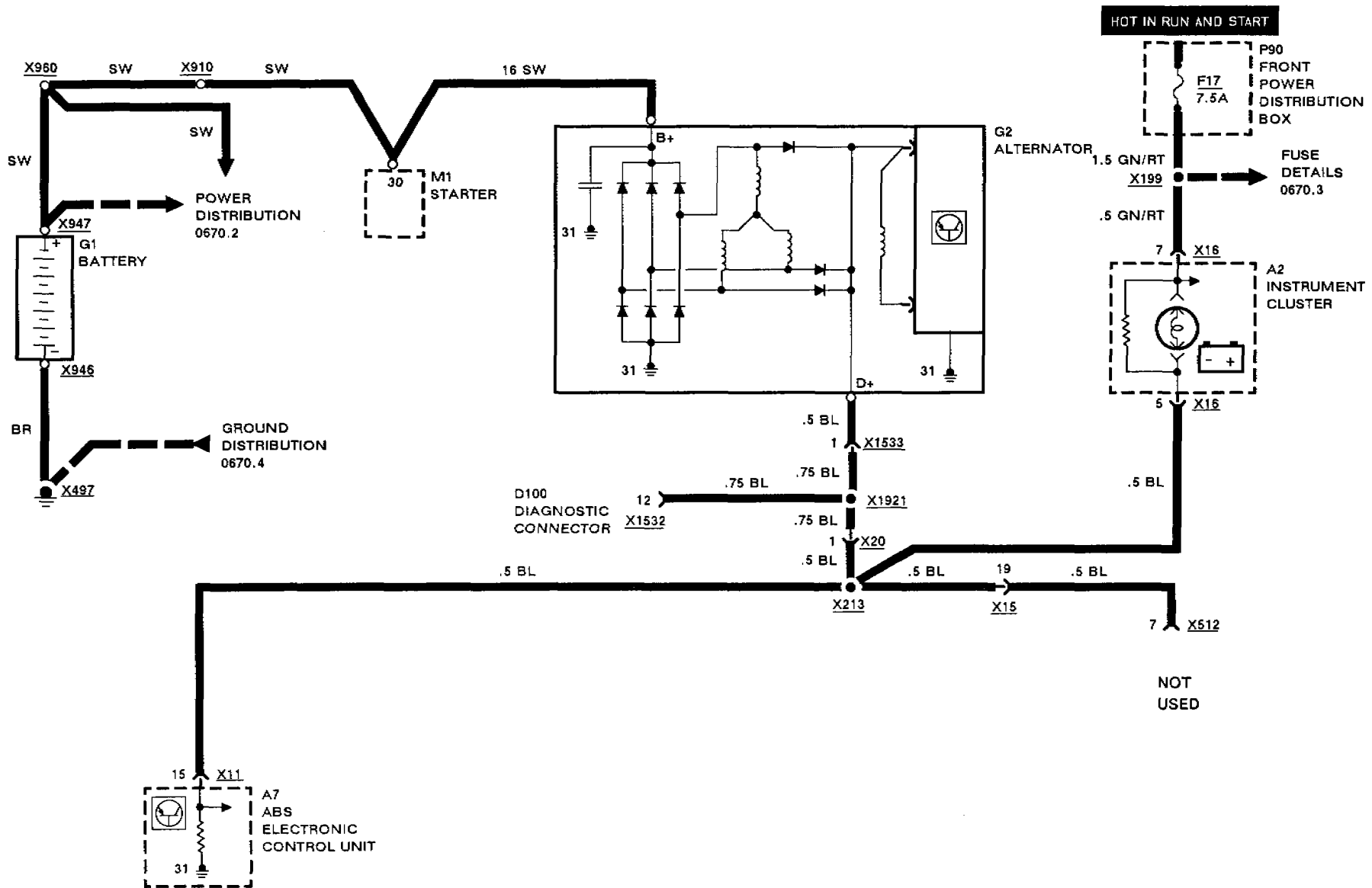
INJECTION ELECTRONICS (DME 1.3)





INJECTION ELECTRONICS (DME 1.3)

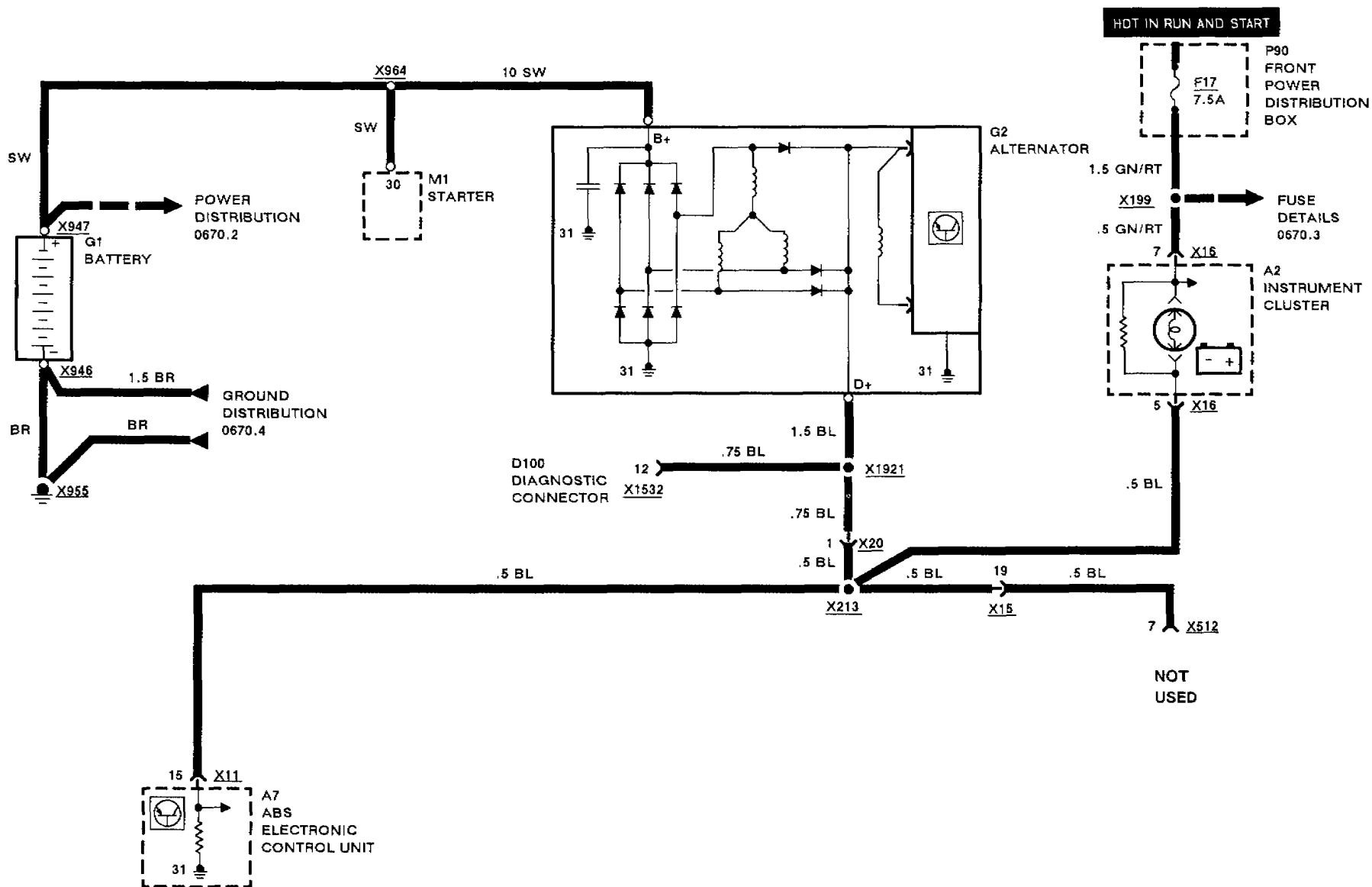






CHARGING SYSTEM

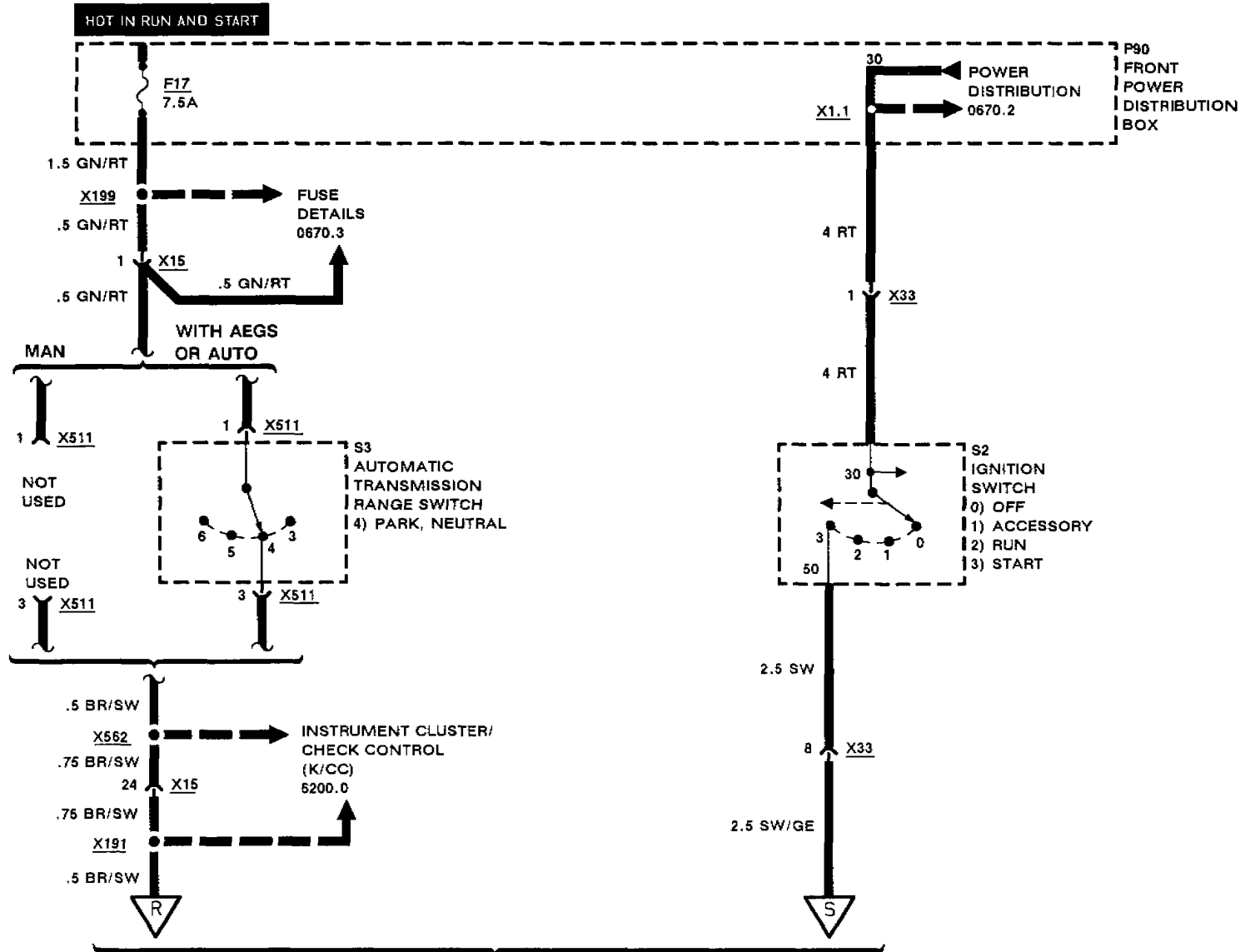
525i



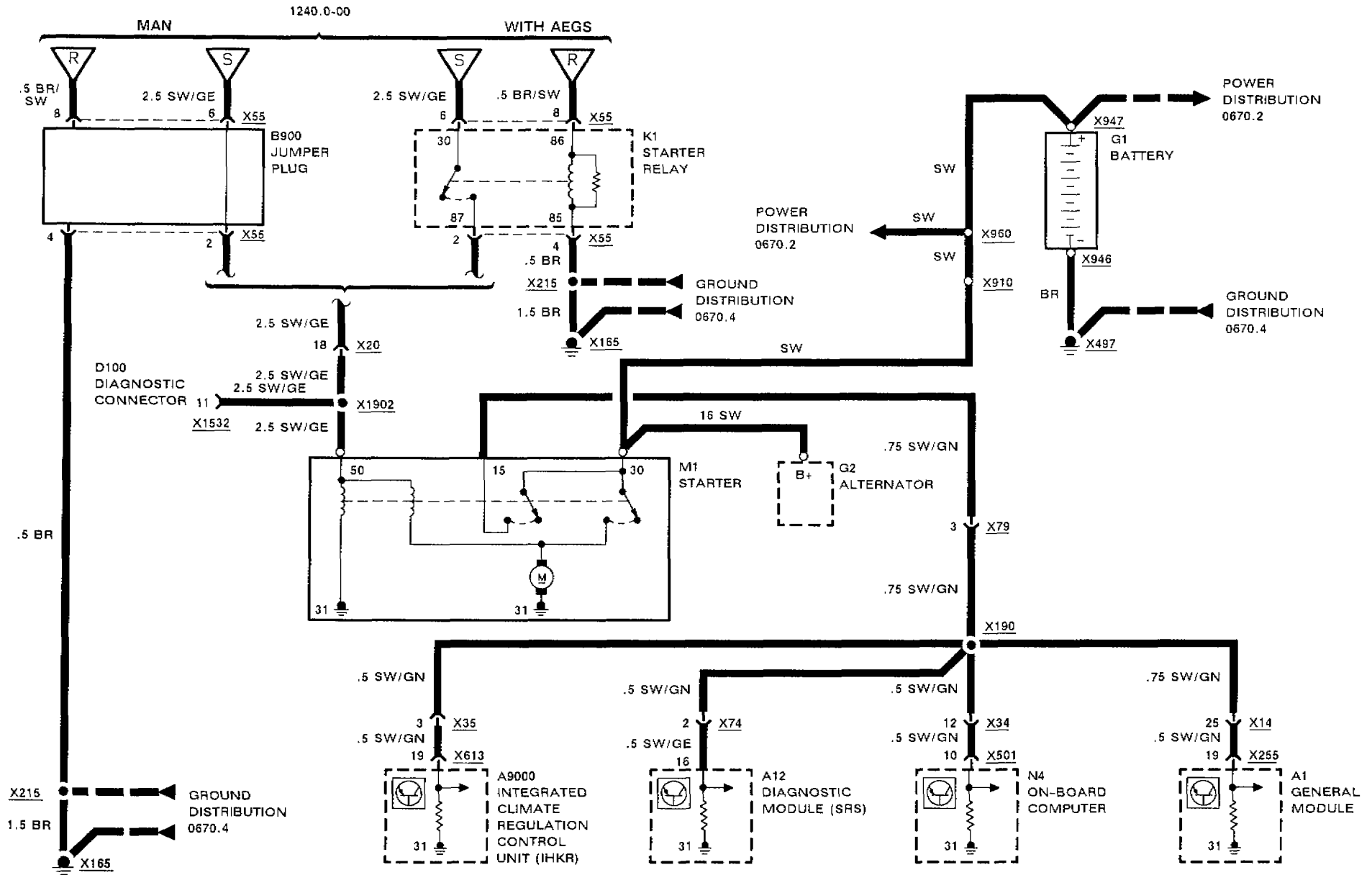
2/89

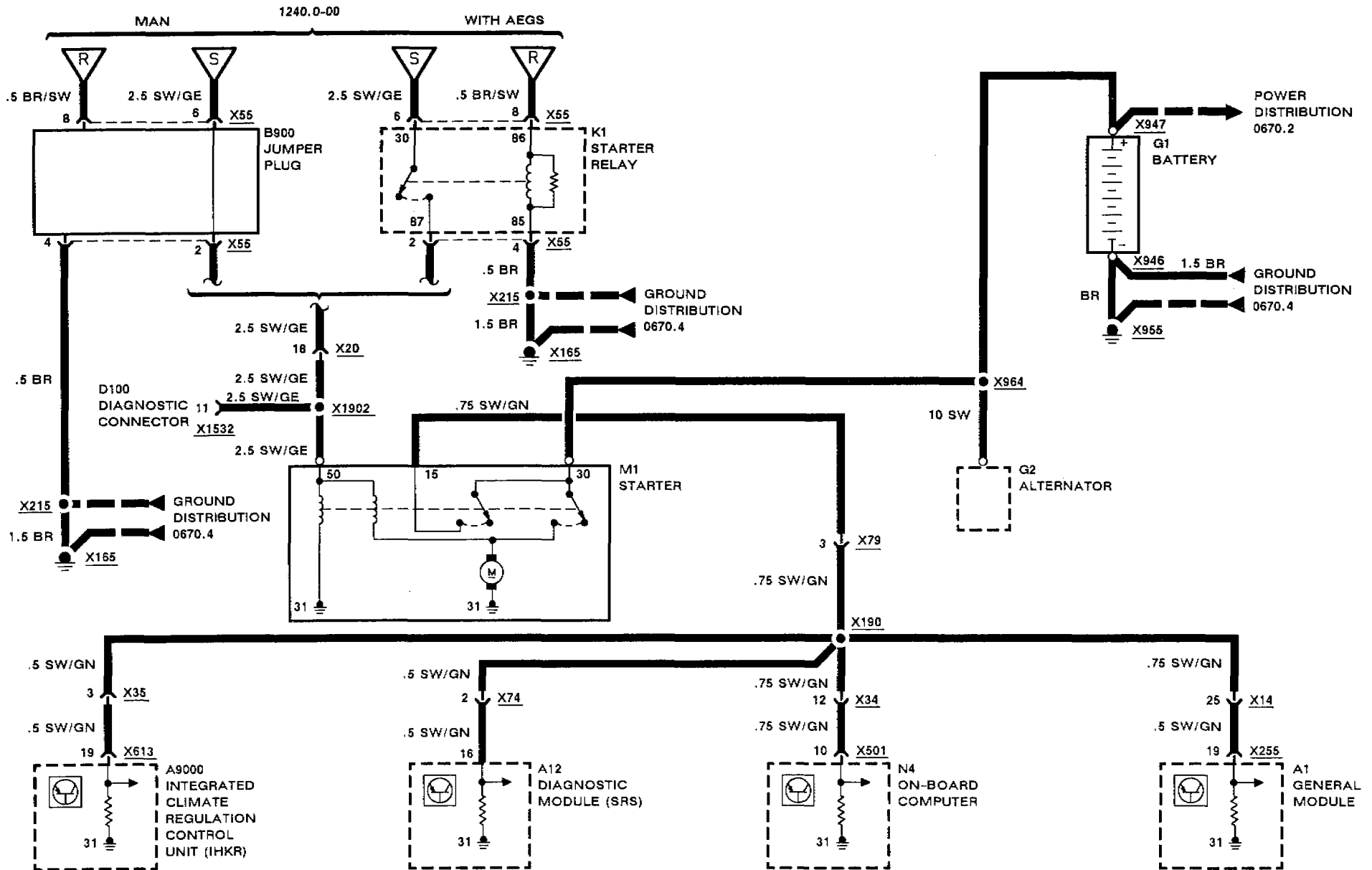
1230.0-01

1989



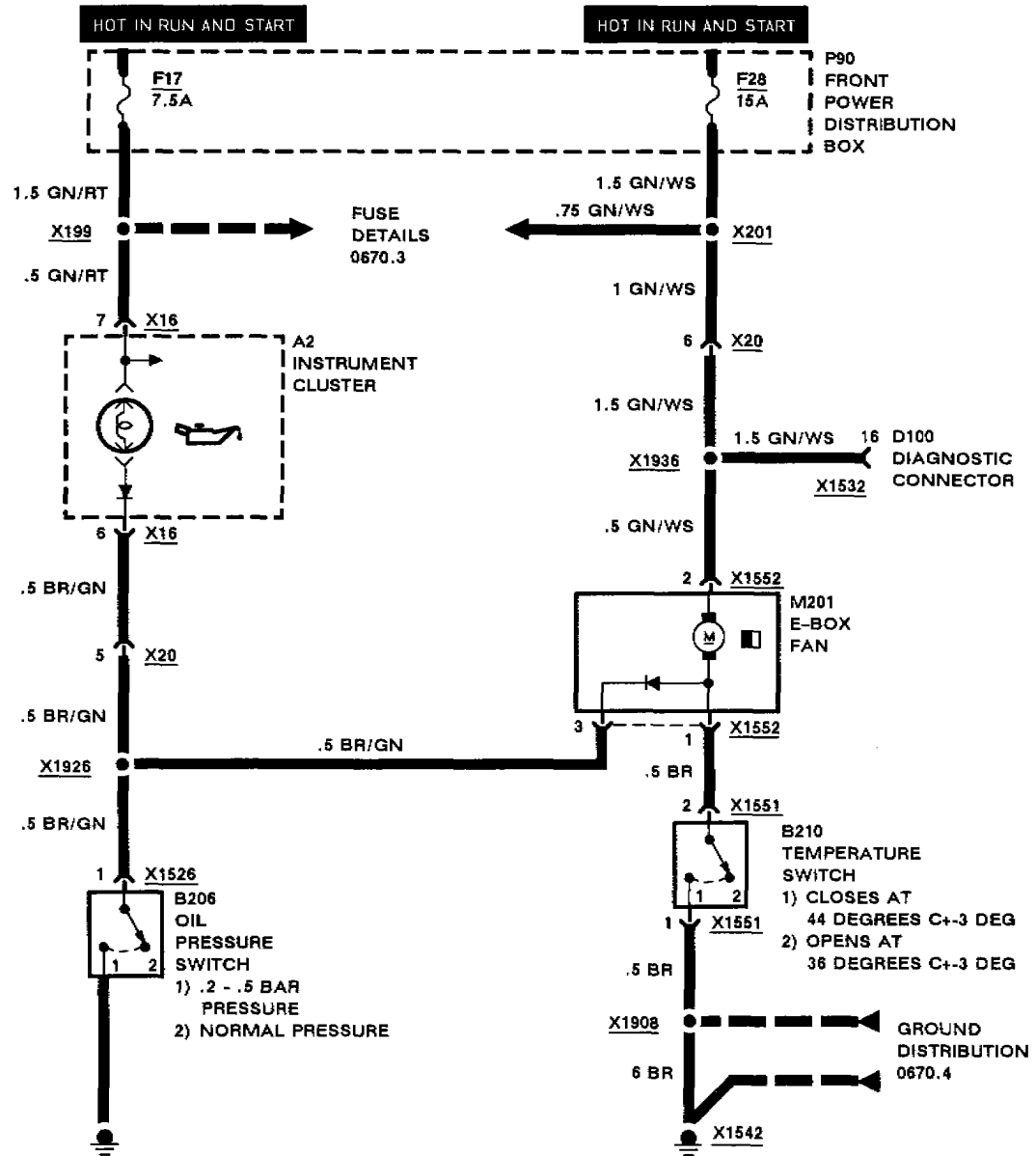
1240.0-01 535i
1240.0-02 525i





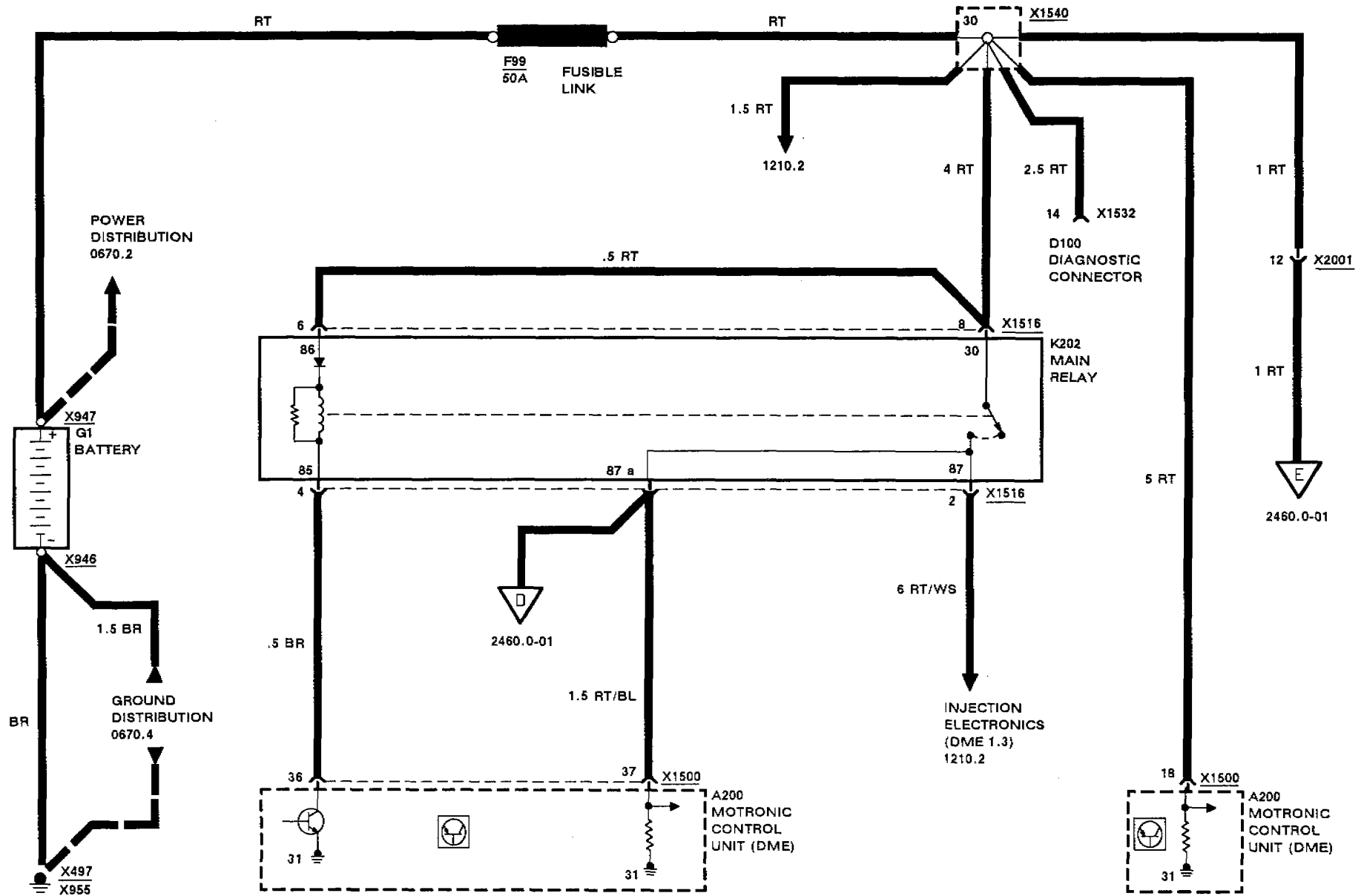


E - BOX FAN



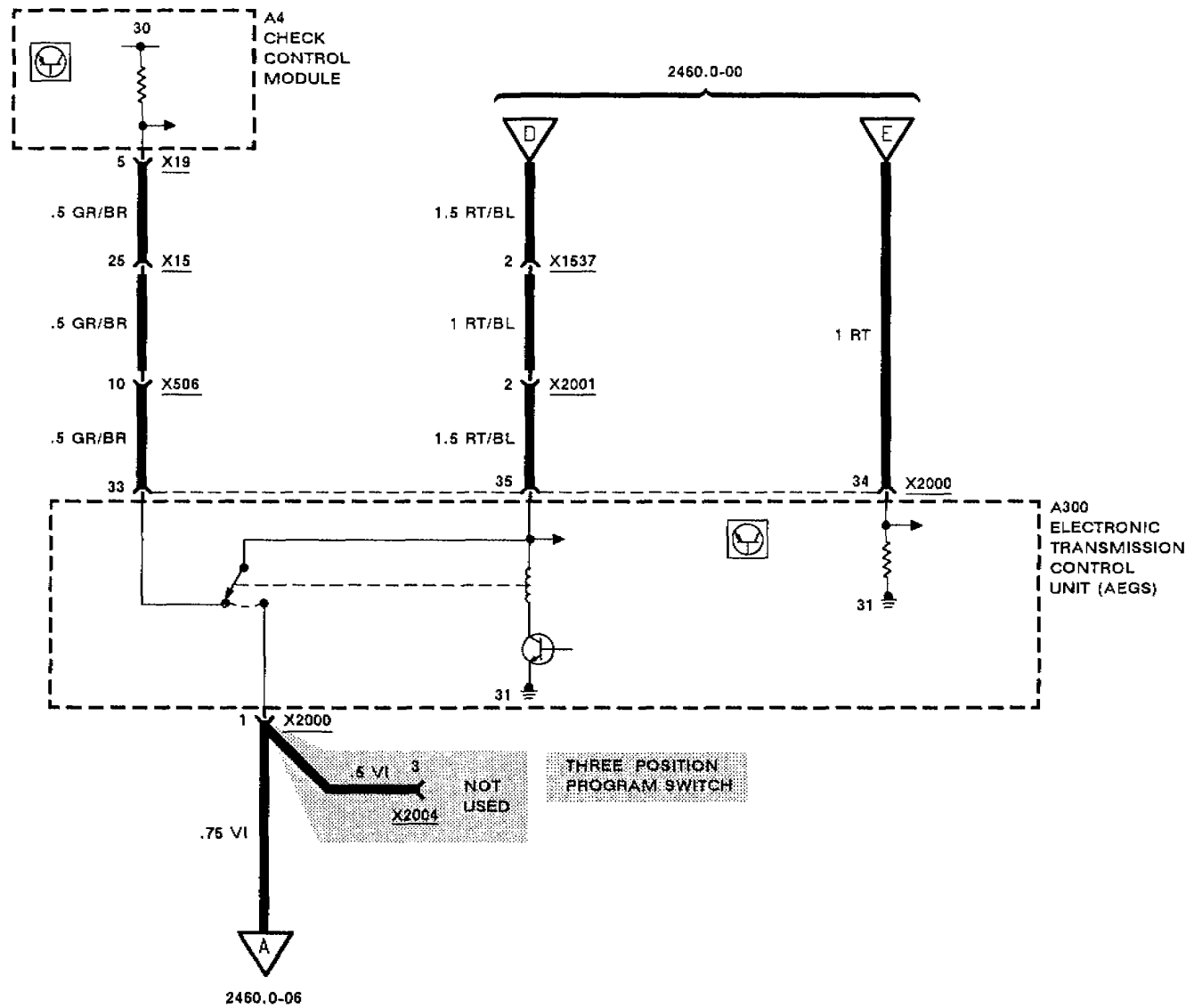


ELECTRONIC TRANSMISSION CONTROL (AEGS)





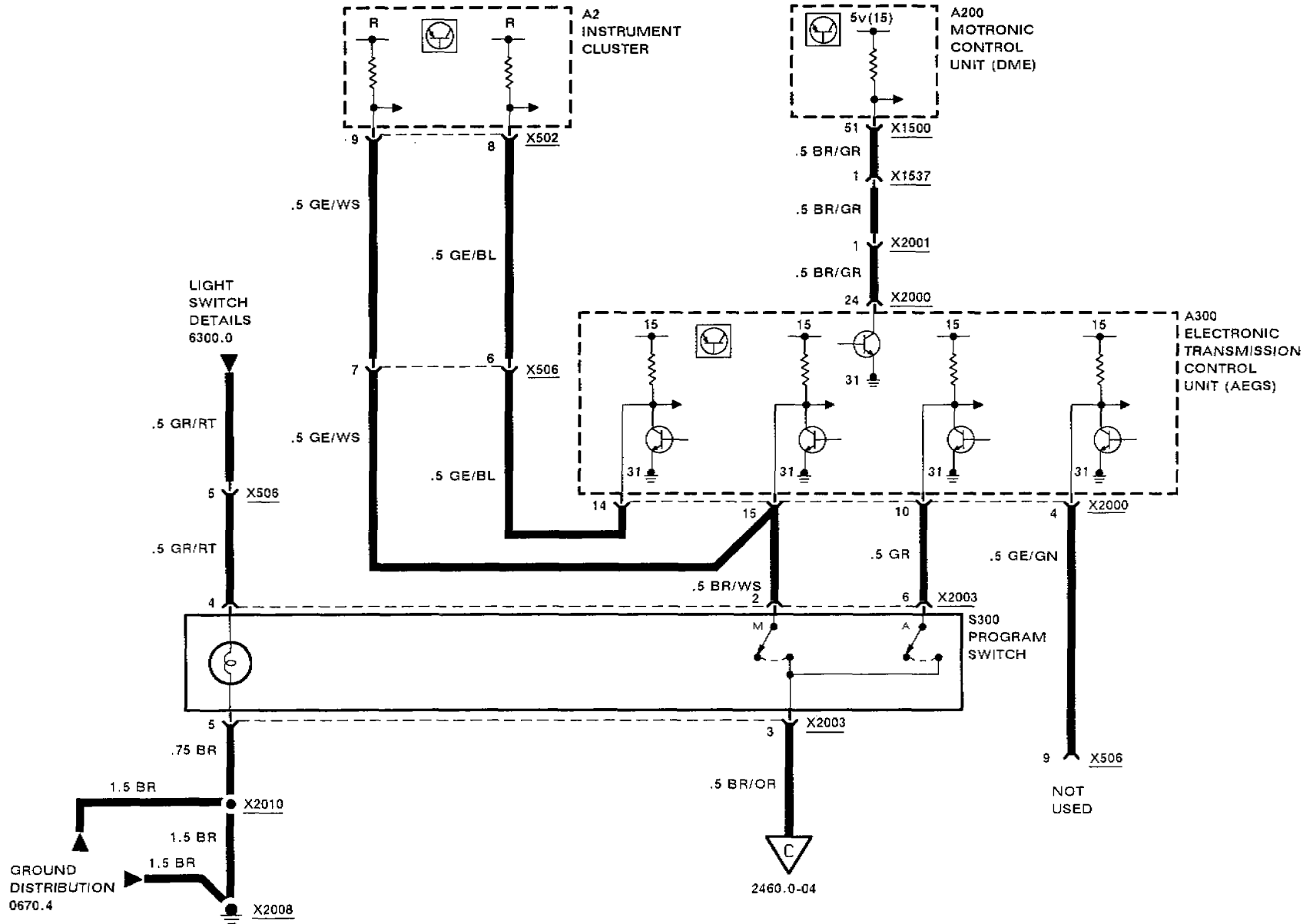
ELECTRONIC TRANSMISSION CONTROL (AEGS)





ELECTRONIC TRANSMISSION CONTROL (AEGS)

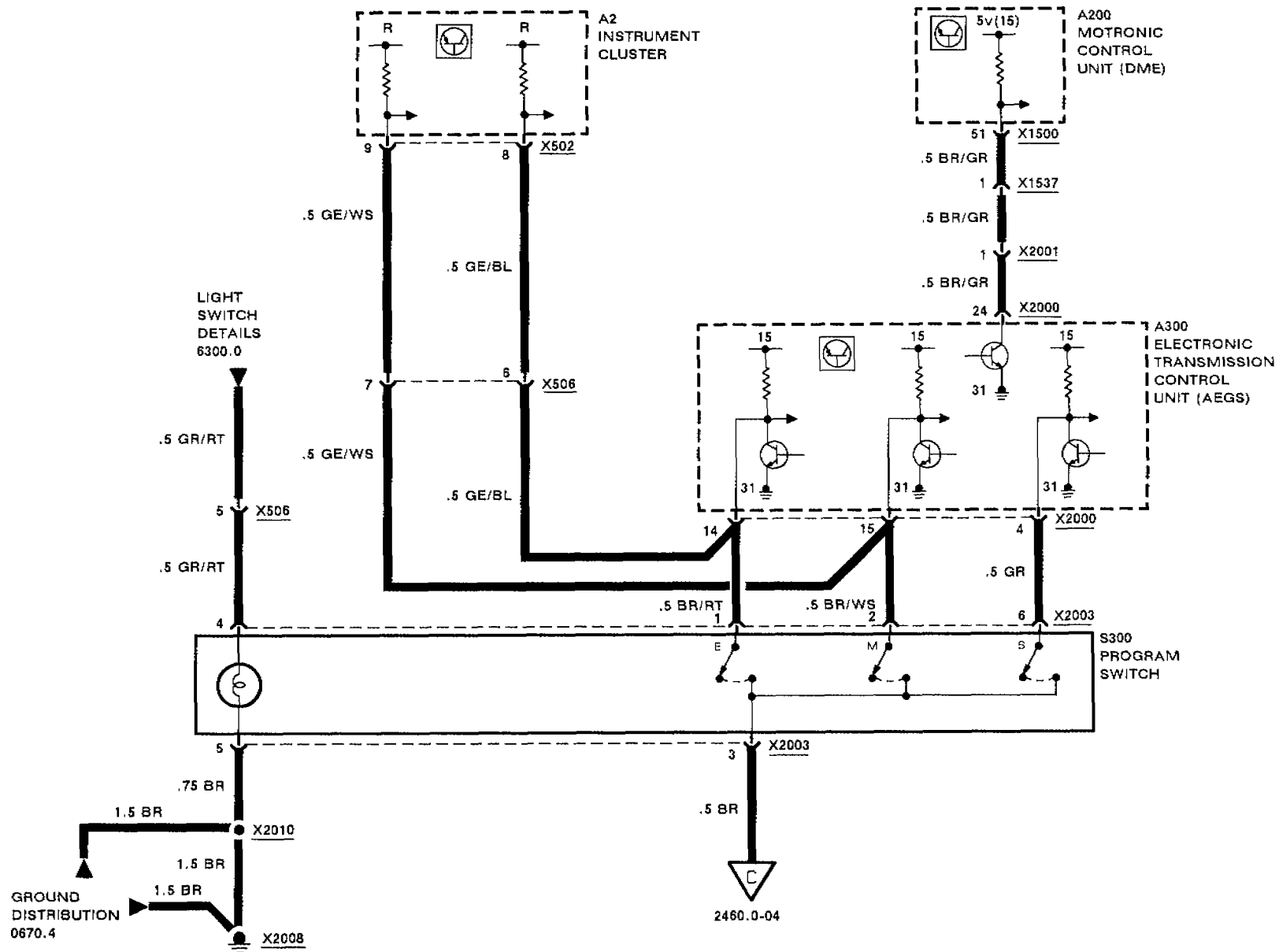
TWO POSITION PROGRAM SWITCH





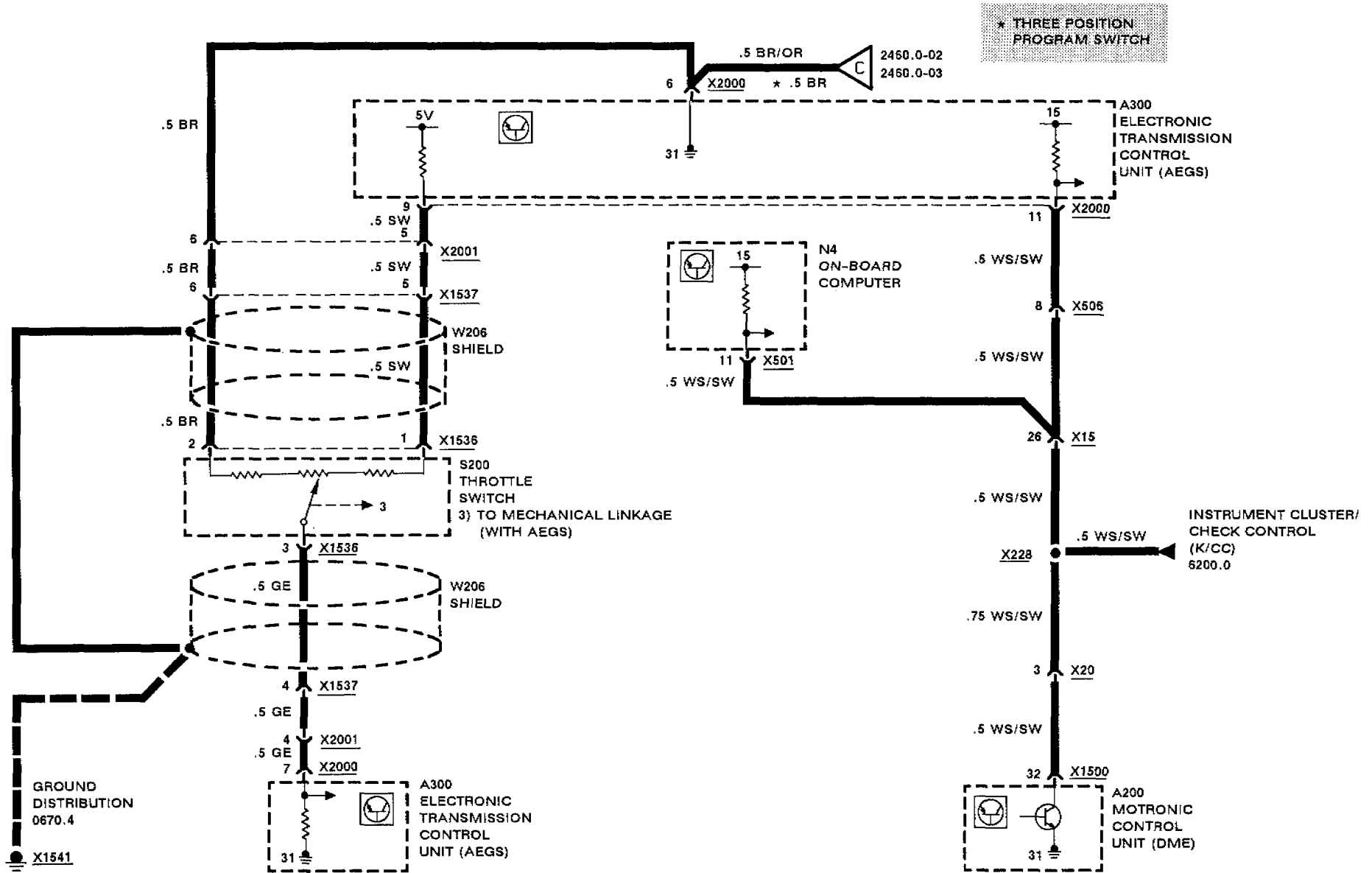
ELECTRONIC TRANSMISSION CONTROL (AEGS)

THREE POSITION PROGRAM SWITCH



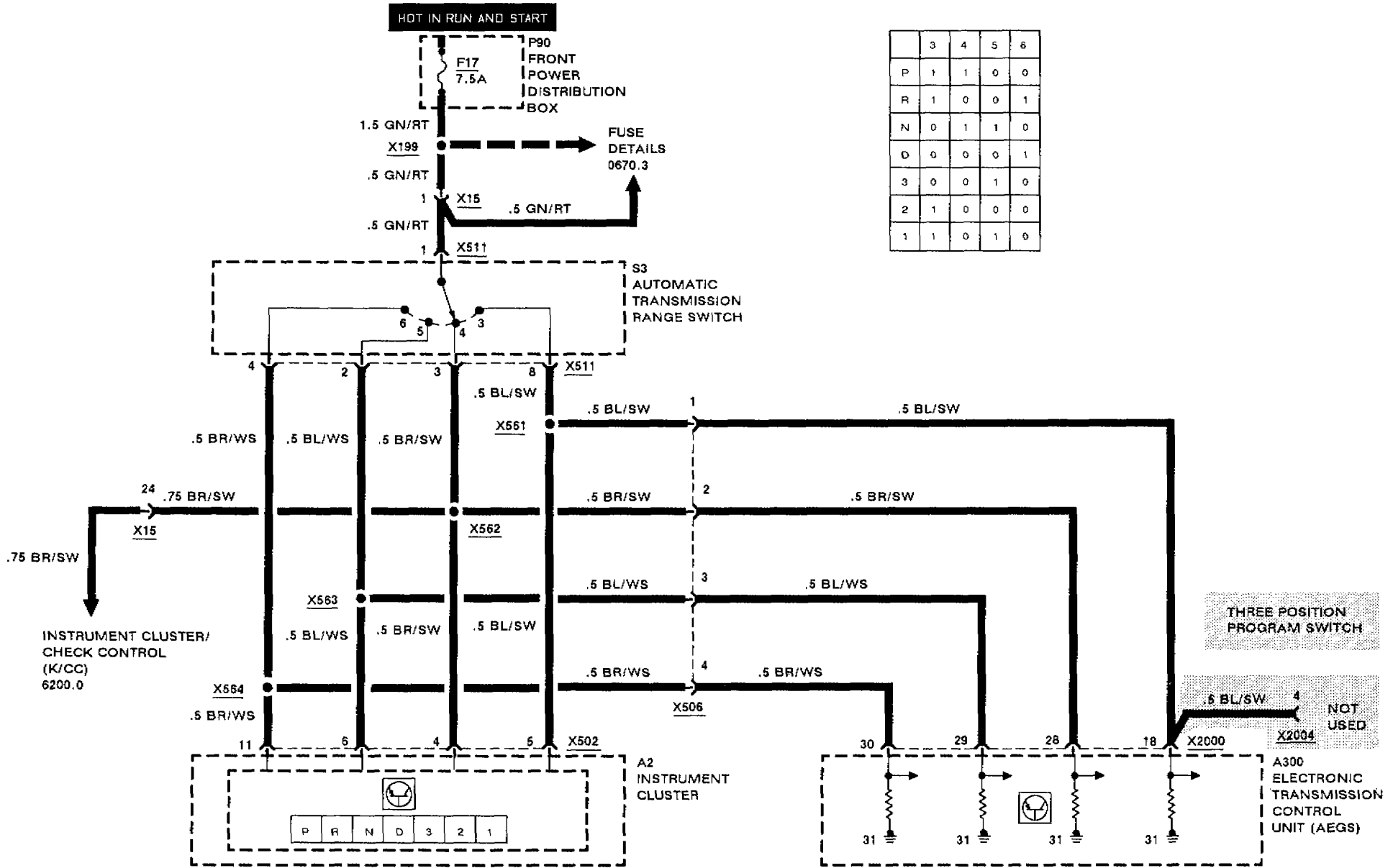


ELECTRONIC TRANSMISSION CONTROL (AEGS)



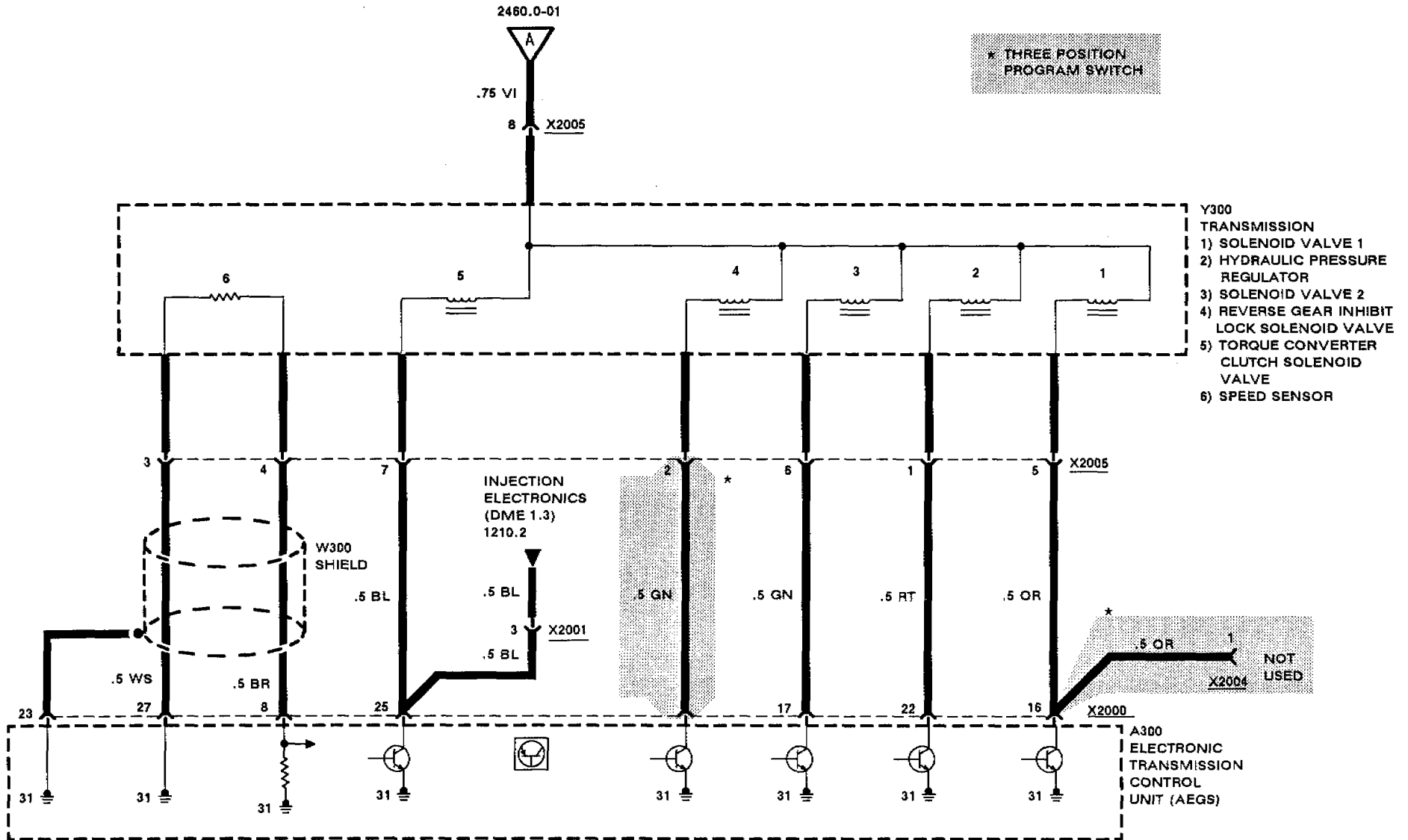


ELECTRONIC TRANSMISSION CONTROL (AEGS)



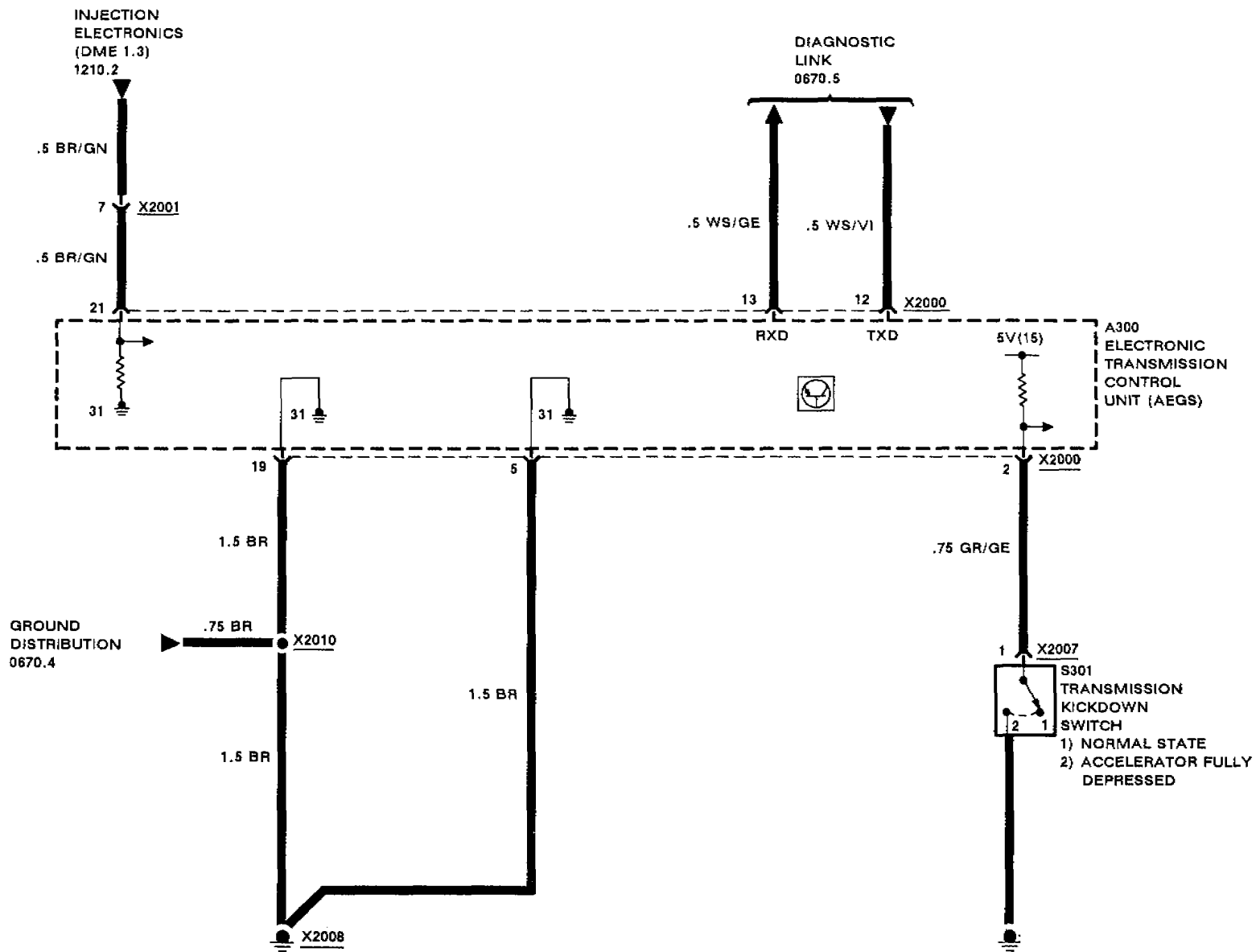


ELECTRONIC TRANSMISSION CONTROL (AEGS)





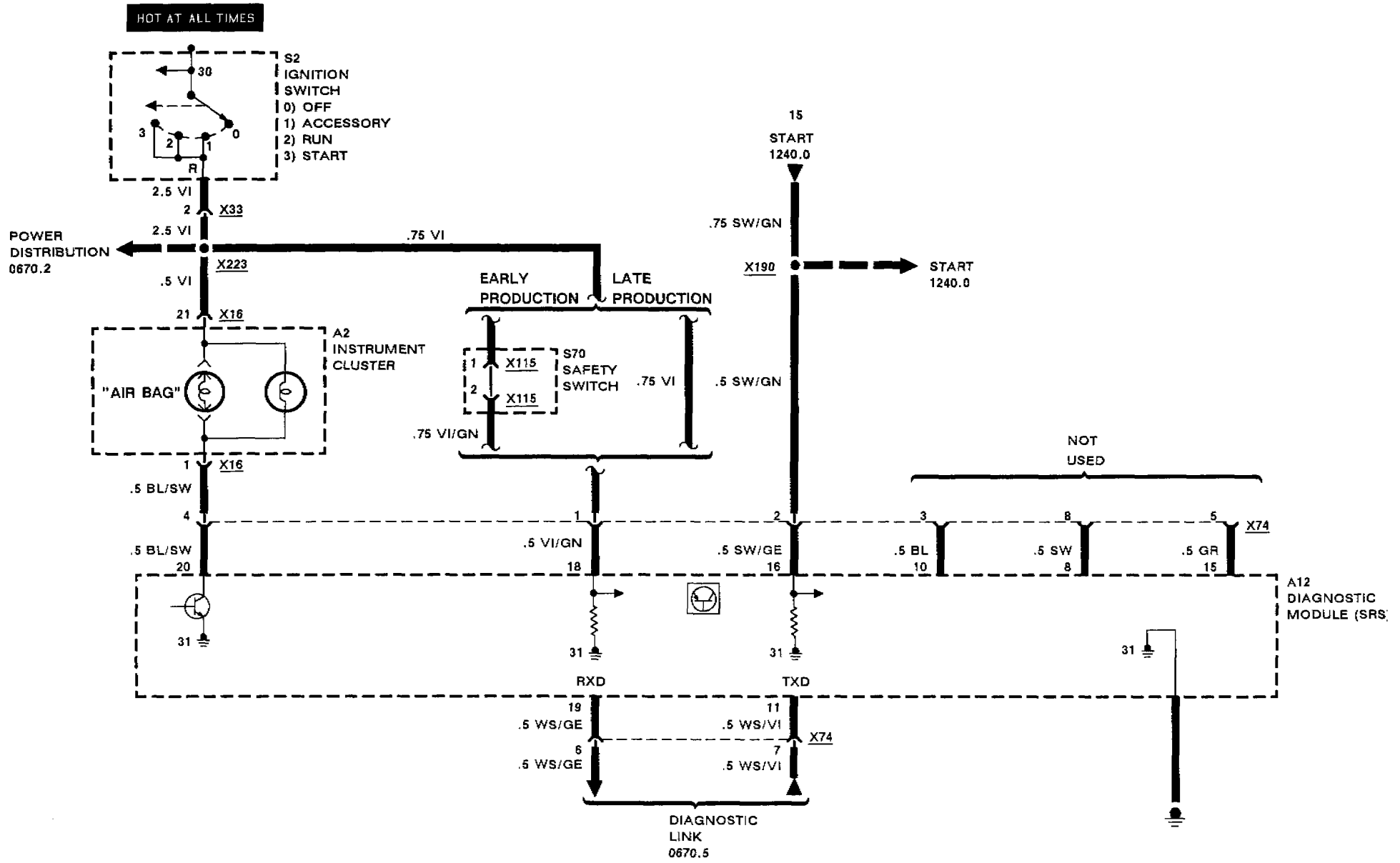
ELECTRONIC TRANSMISSION CONTROL (AEGS)





SUPPLEMENTAL RESTRAINT SYSTEM (AIR BAG)

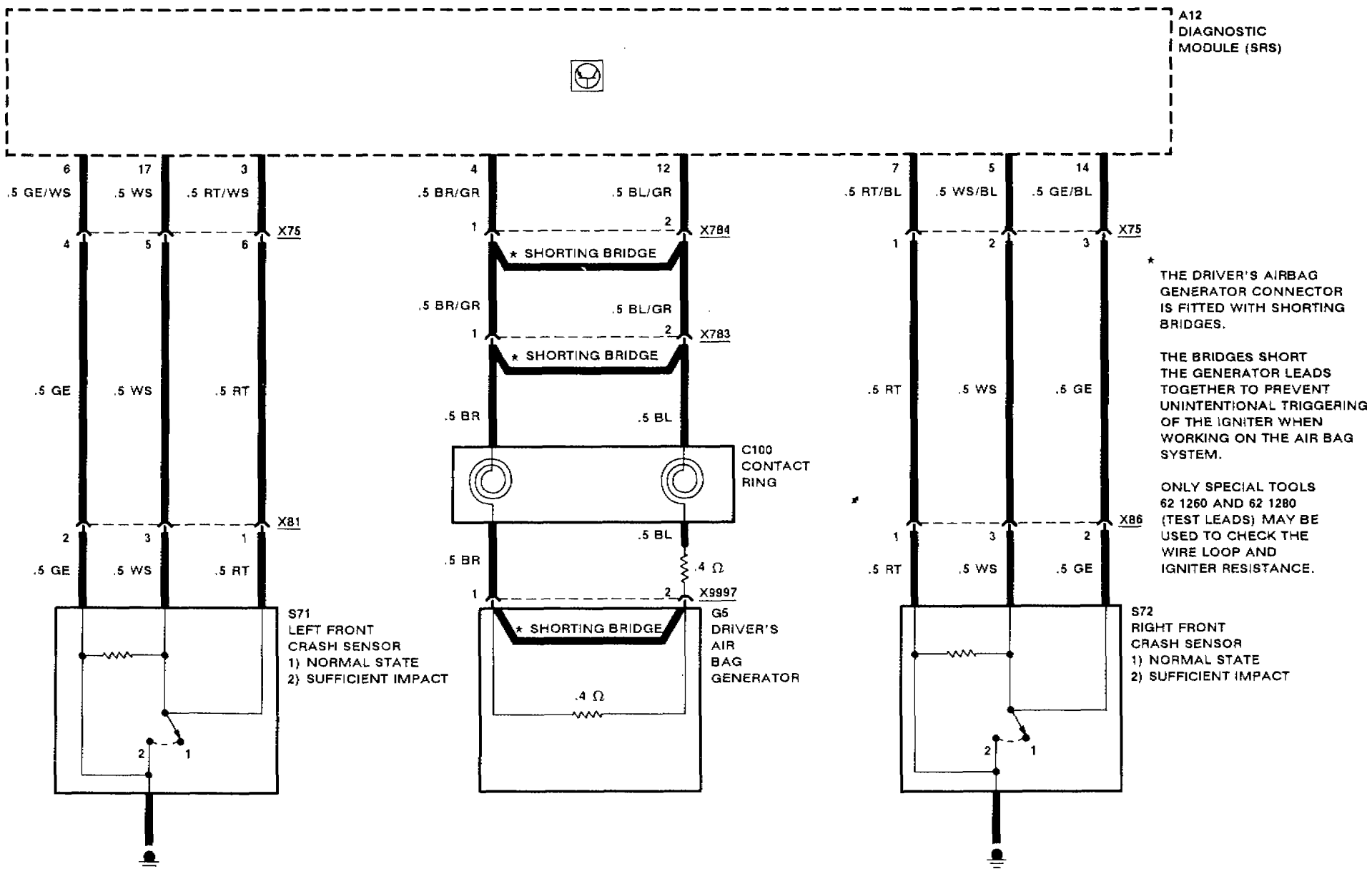
535i ONLY



2/89
3234.0-00
1989

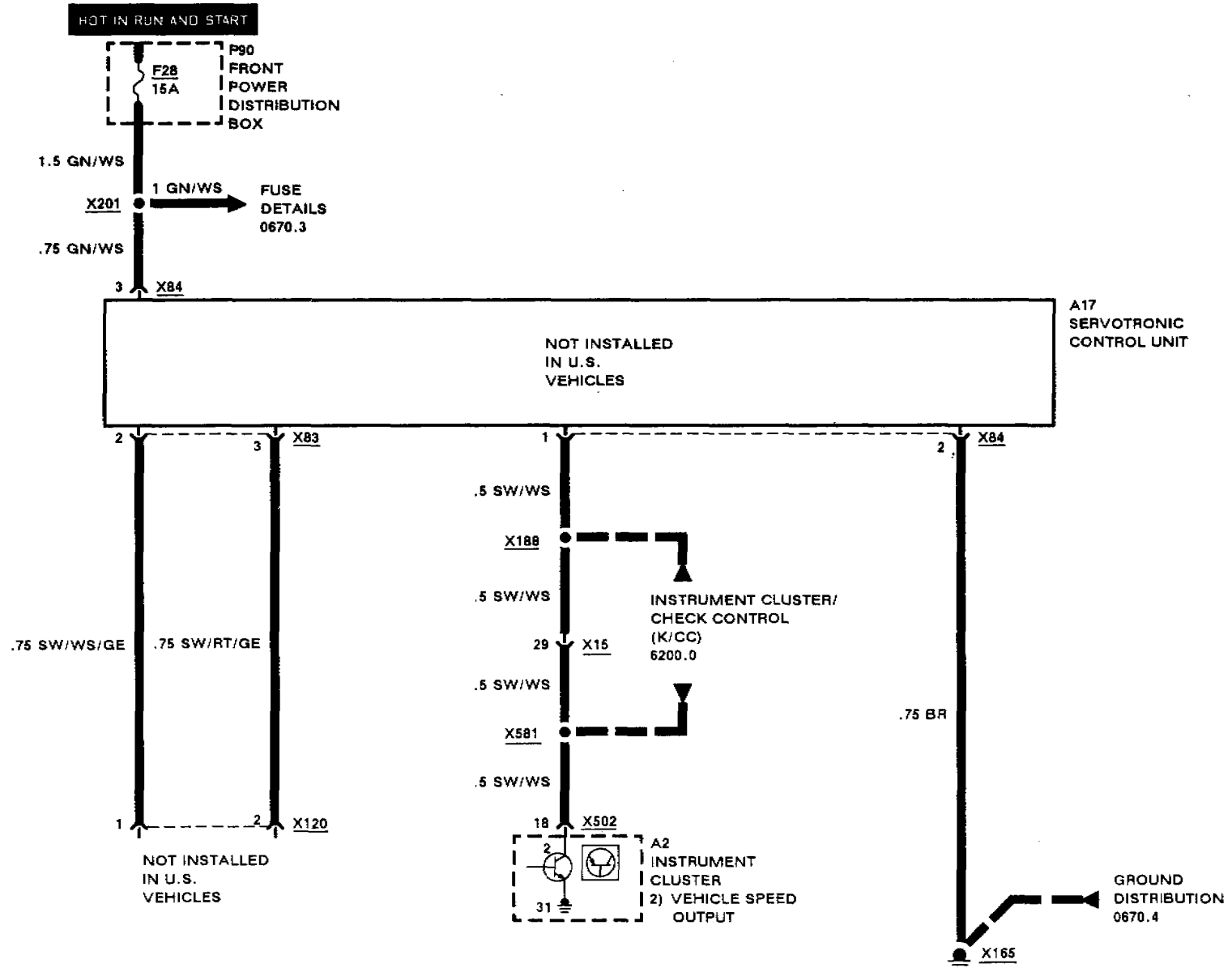


SUPPLEMENTAL RESTRAINT SYSTEM (AIR BAG)



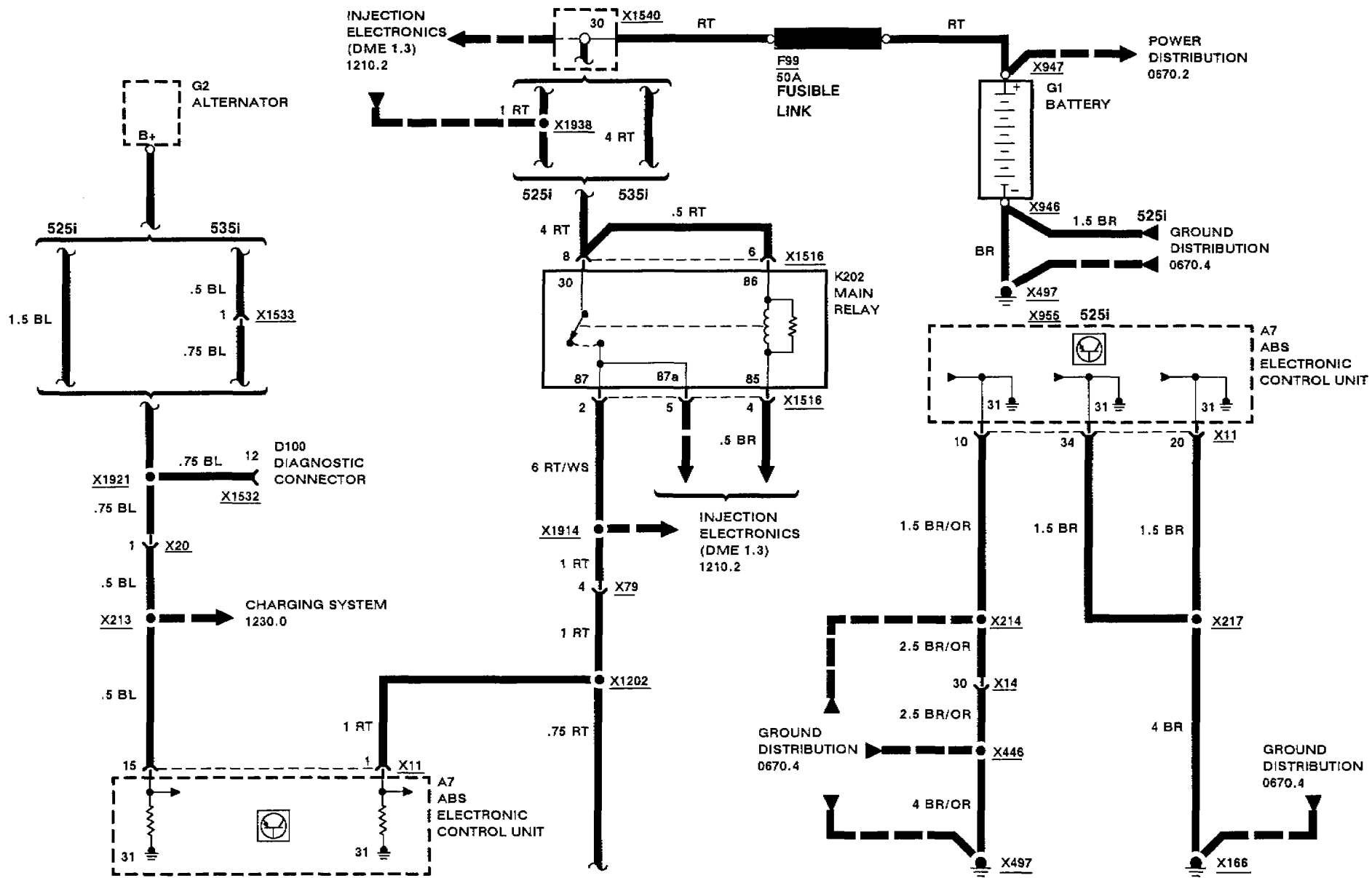


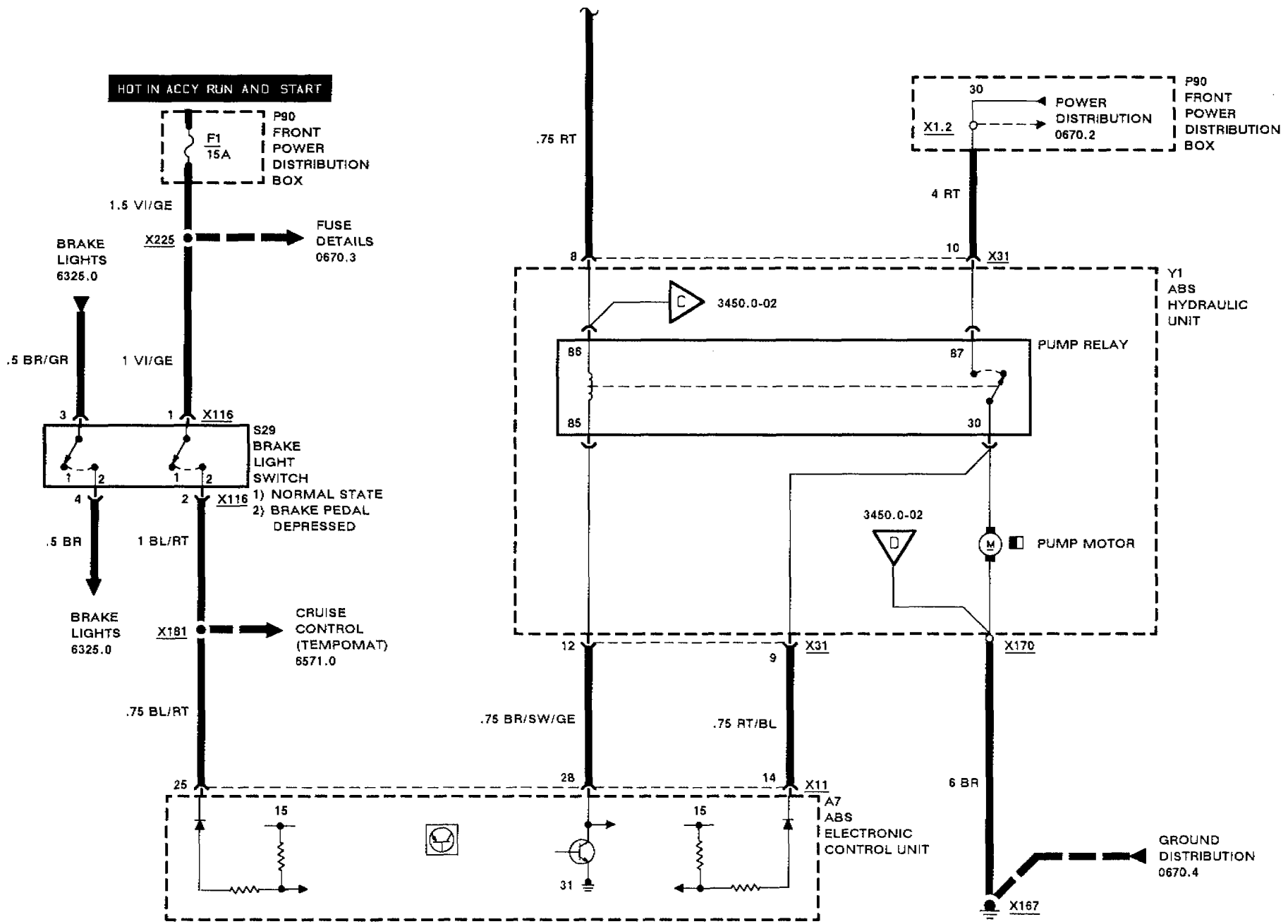
POWER ASSIST STEERING (SERVOTRONIC)





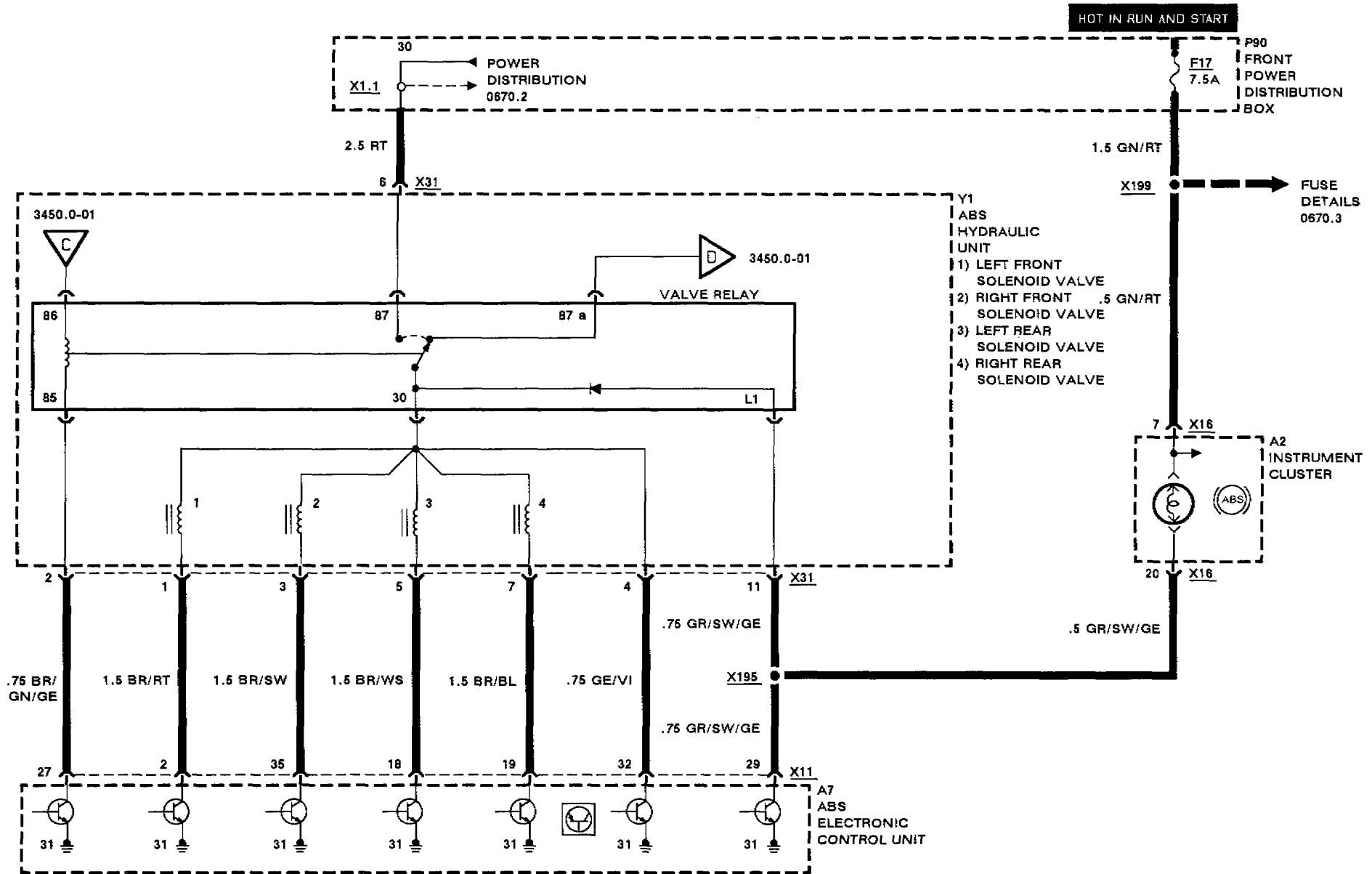
ANTILOCK BRAKE SYSTEM (ABS)



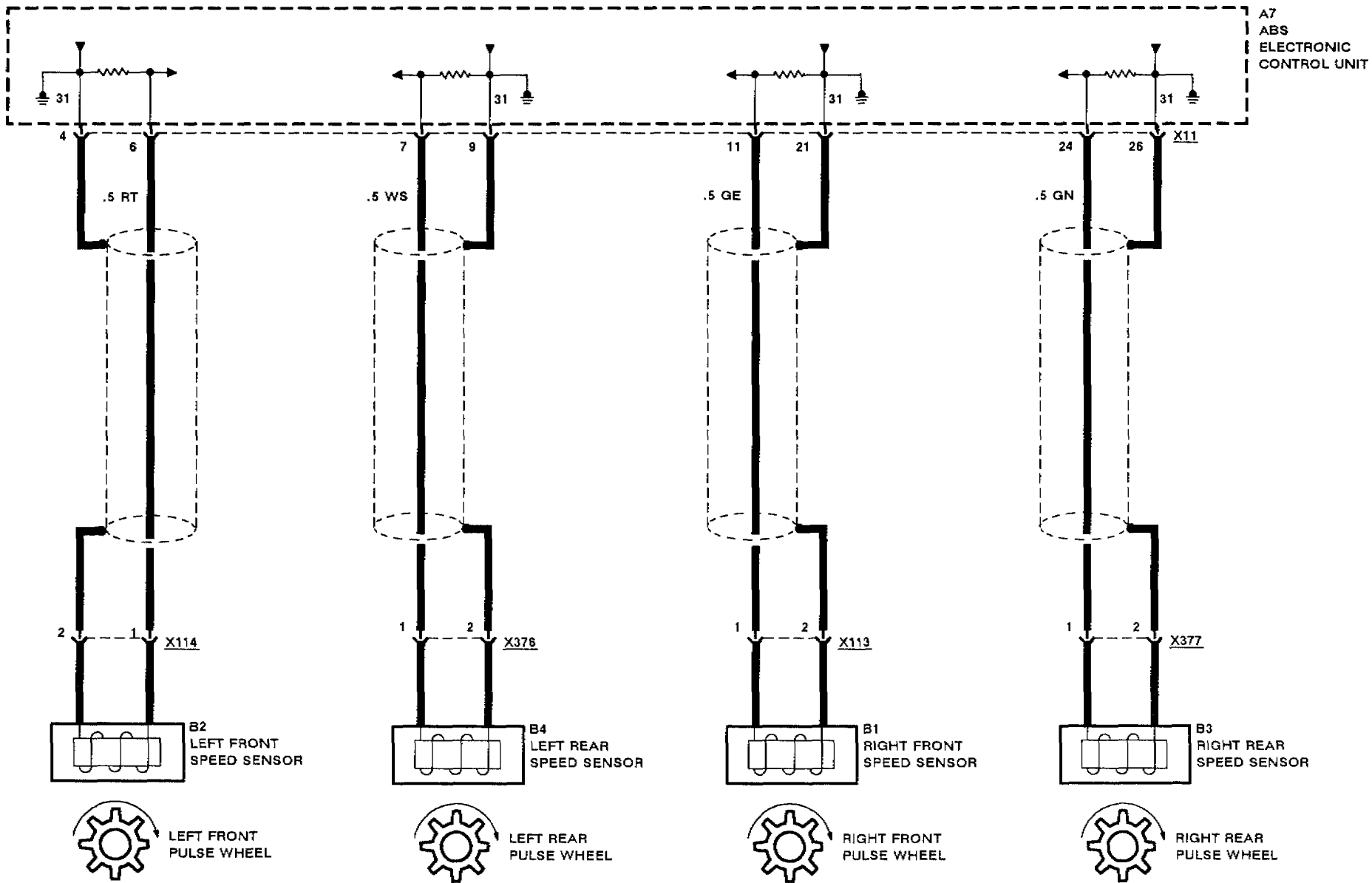




ANTILOCK BRAKE SYSTEM (ABS)



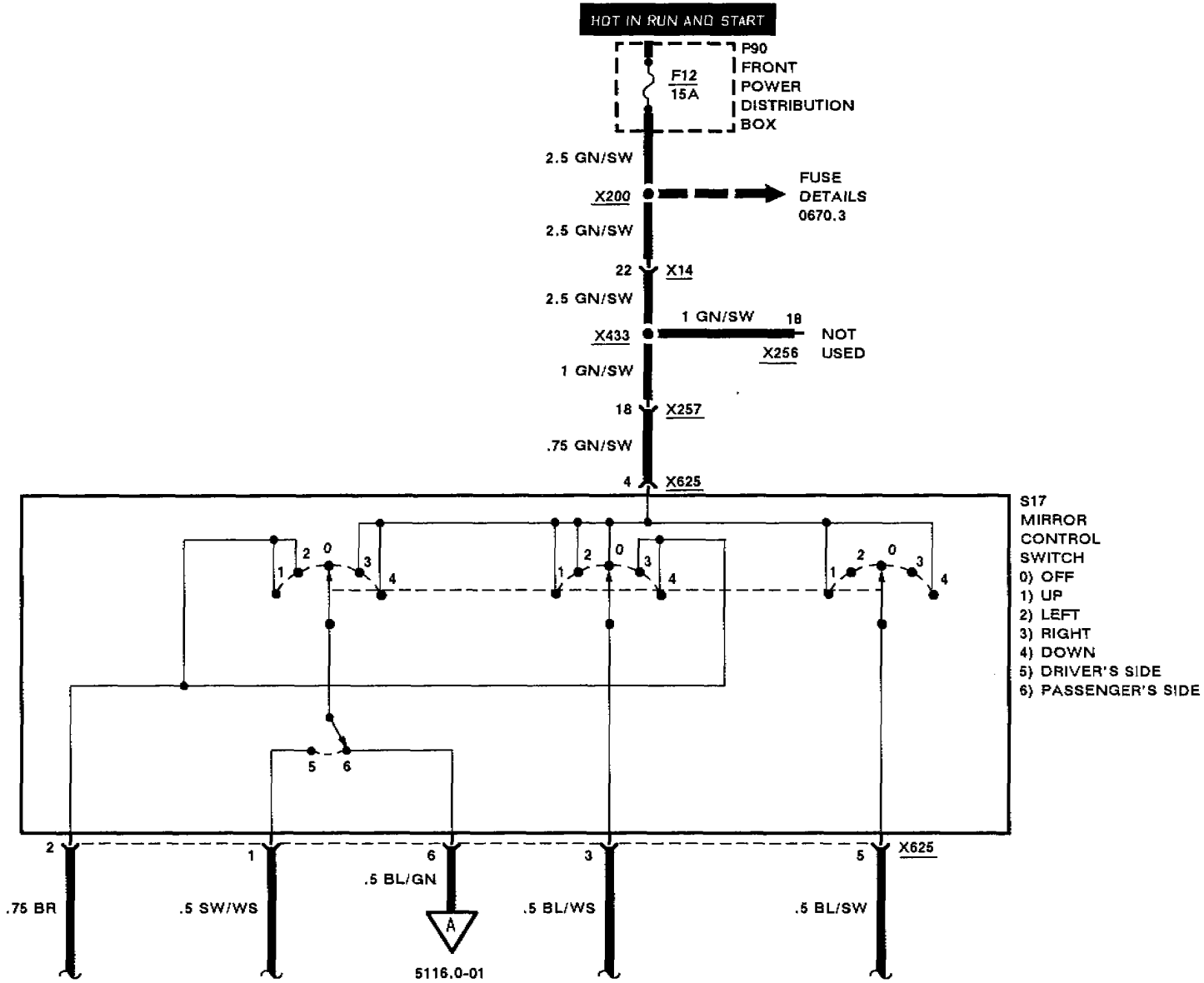
BMW 5 ANTILOCK BRAKE SYSTEM (ABS)

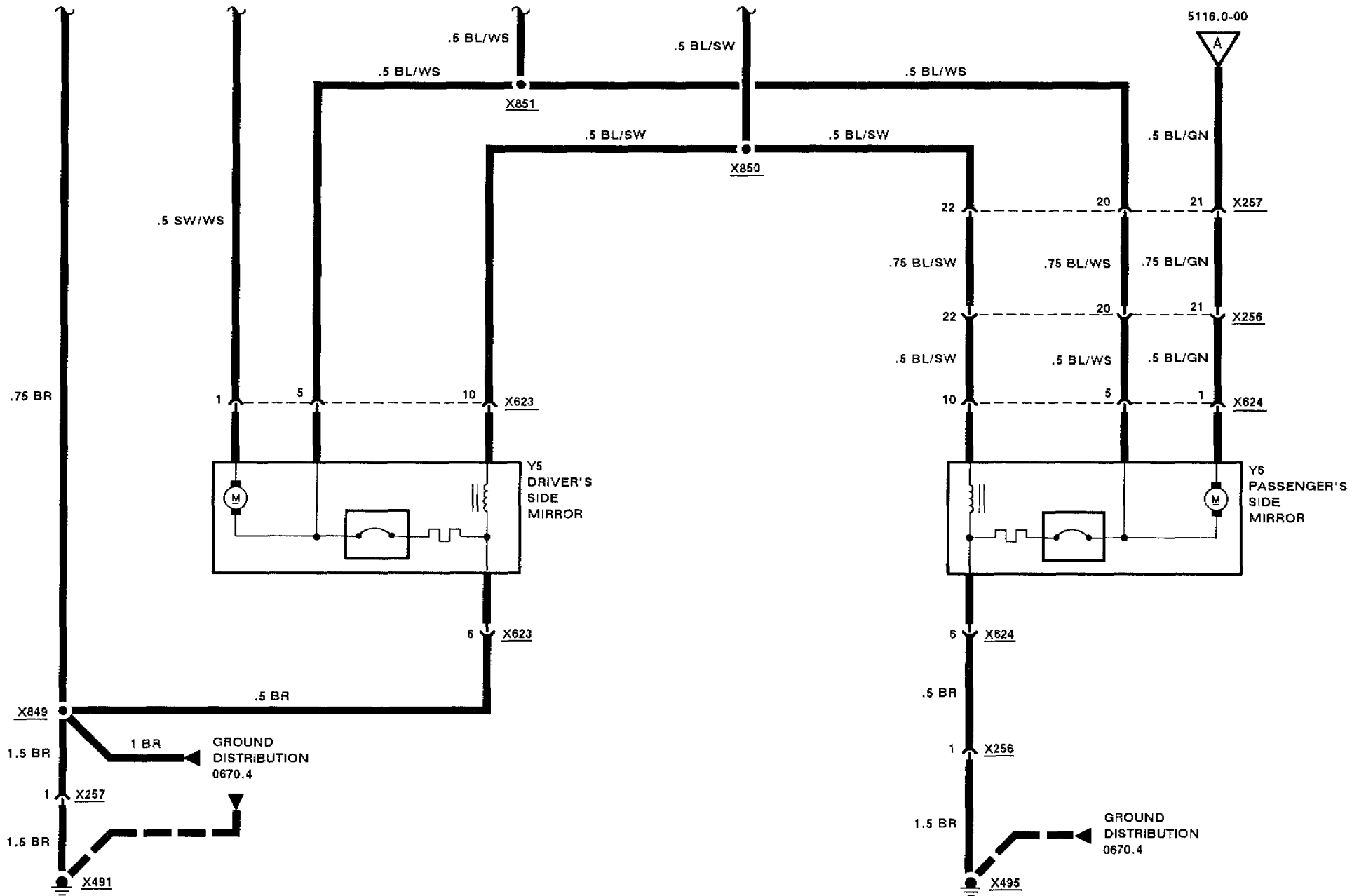




POWER MIRRORS

EXTERIOR MIRRORS

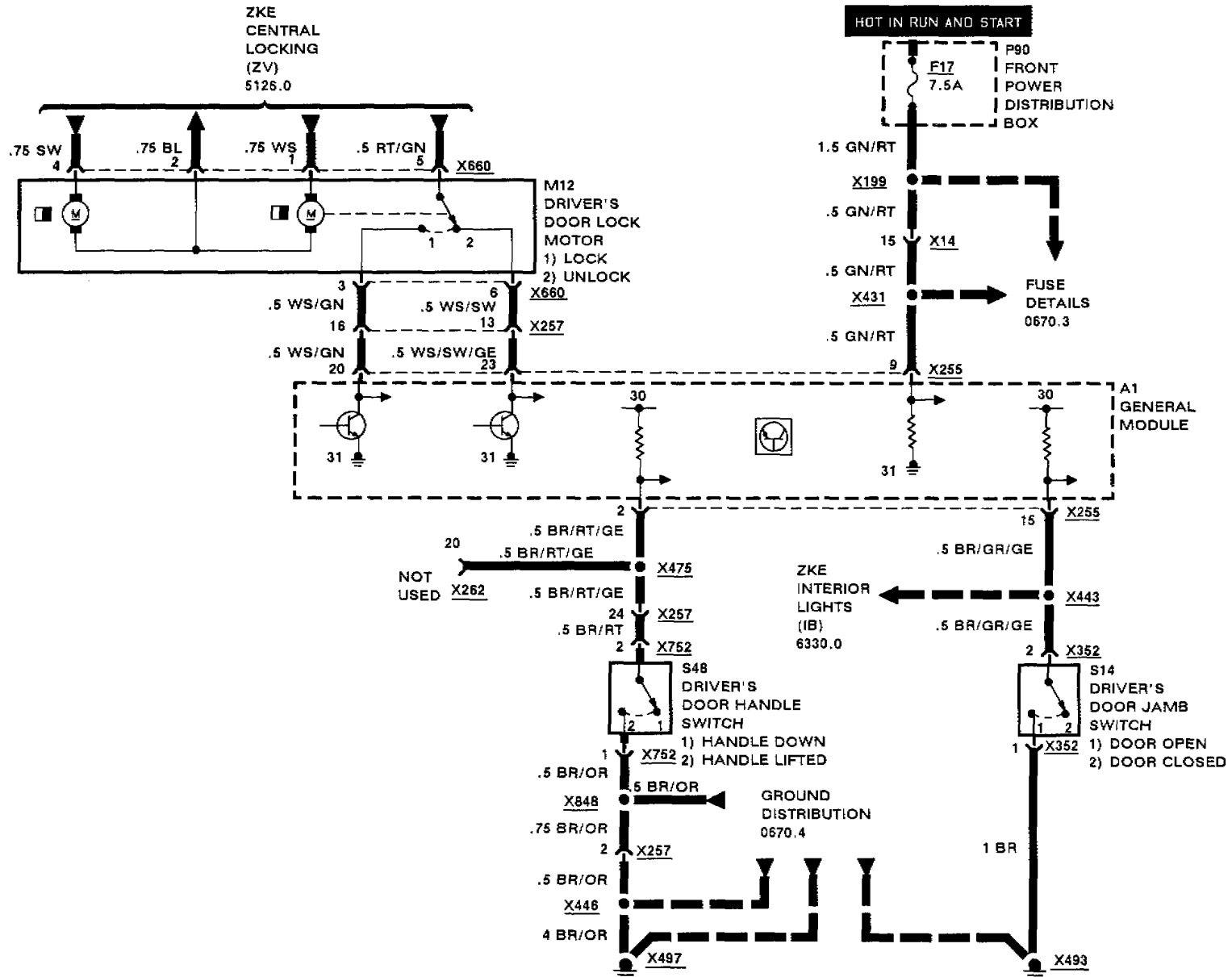






ZKE DOOR LOCK HEATING (TSH)

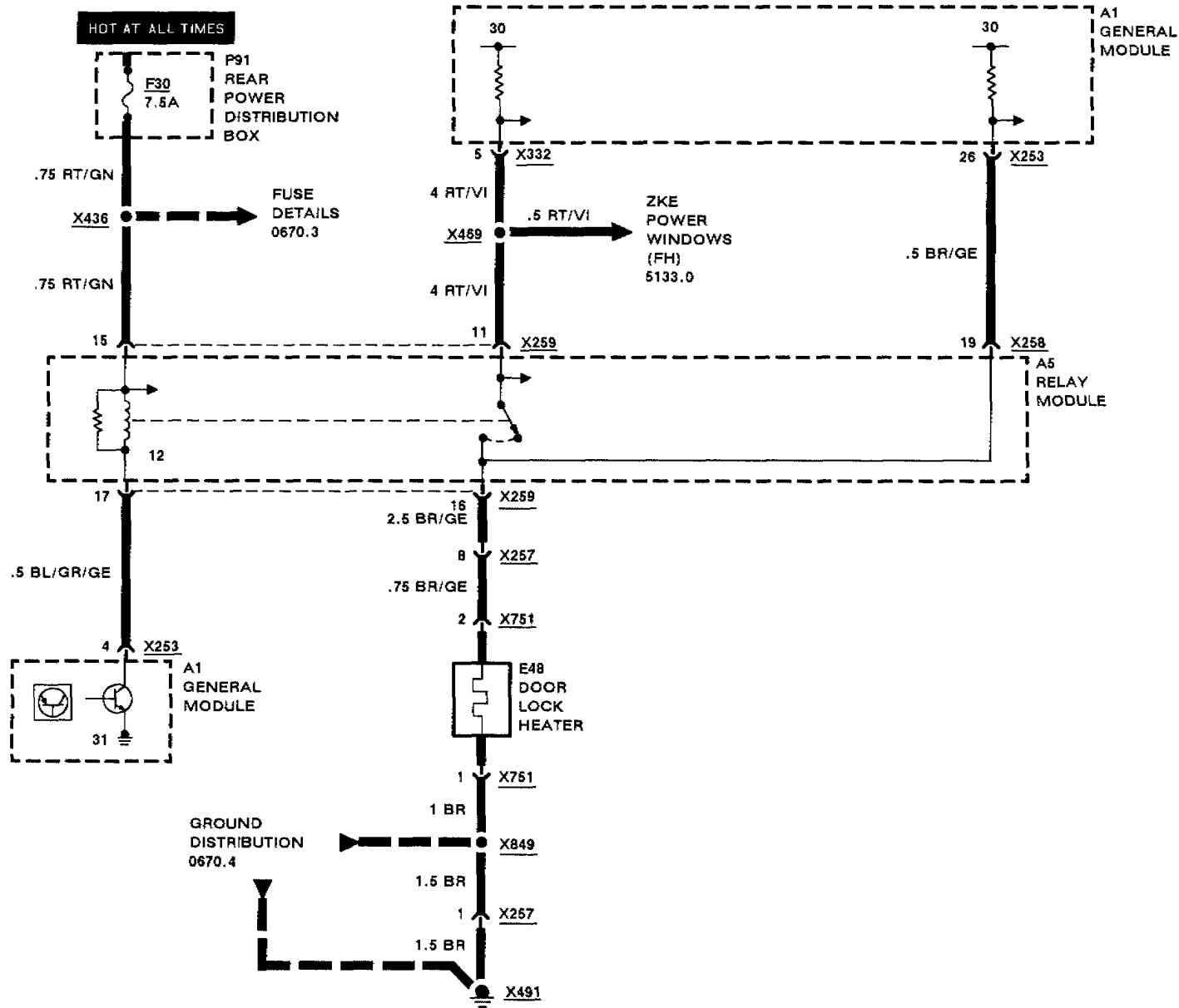
INPUT DETAILS





ZKE DOOR LOCK HEATING (TSH)

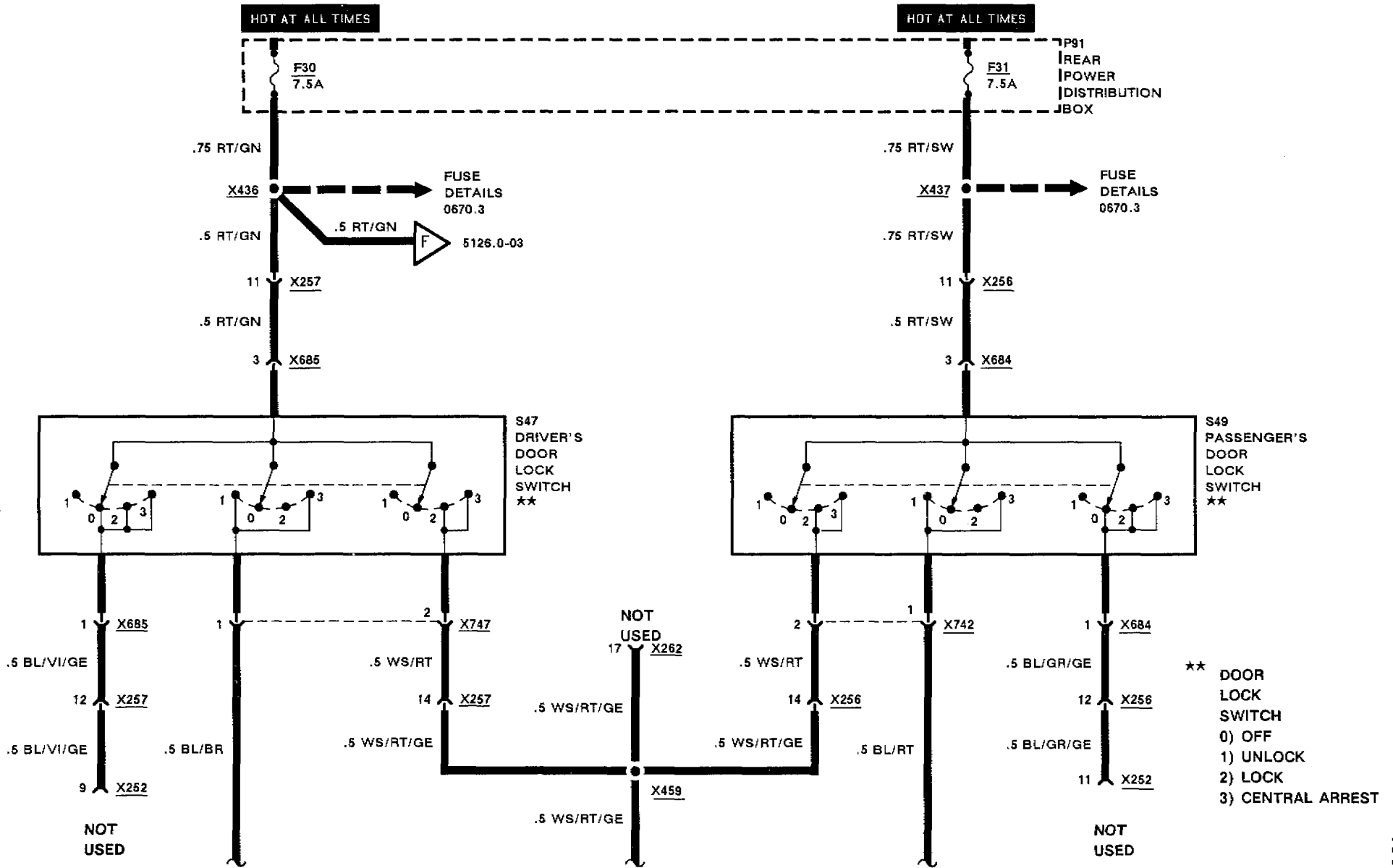
OUTPUT DETAILS

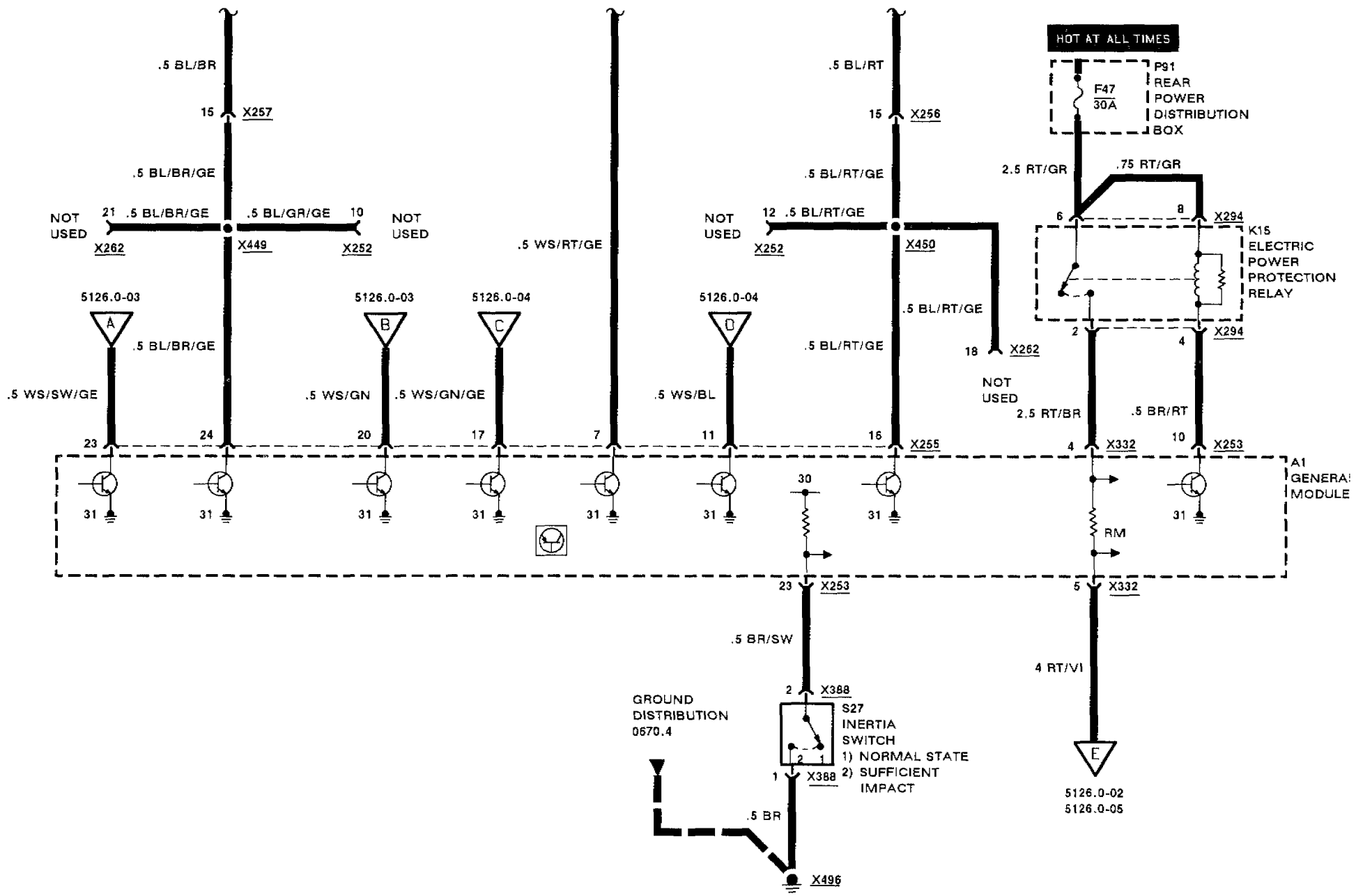




ZKE CENTRAL LOCKING (ZV)

INPUT DETAILS

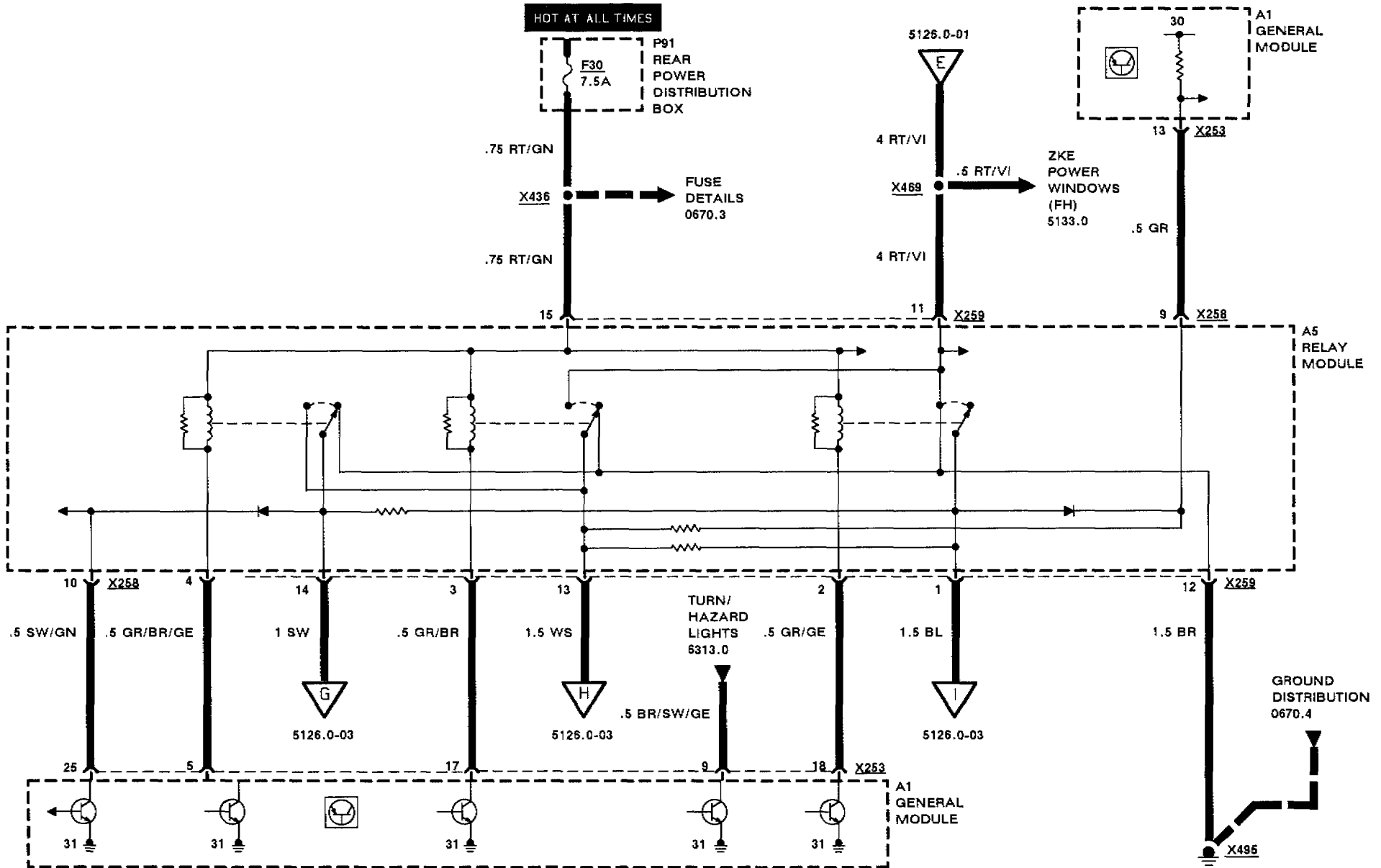






ZKE CENTRAL LOCKING (ZV)

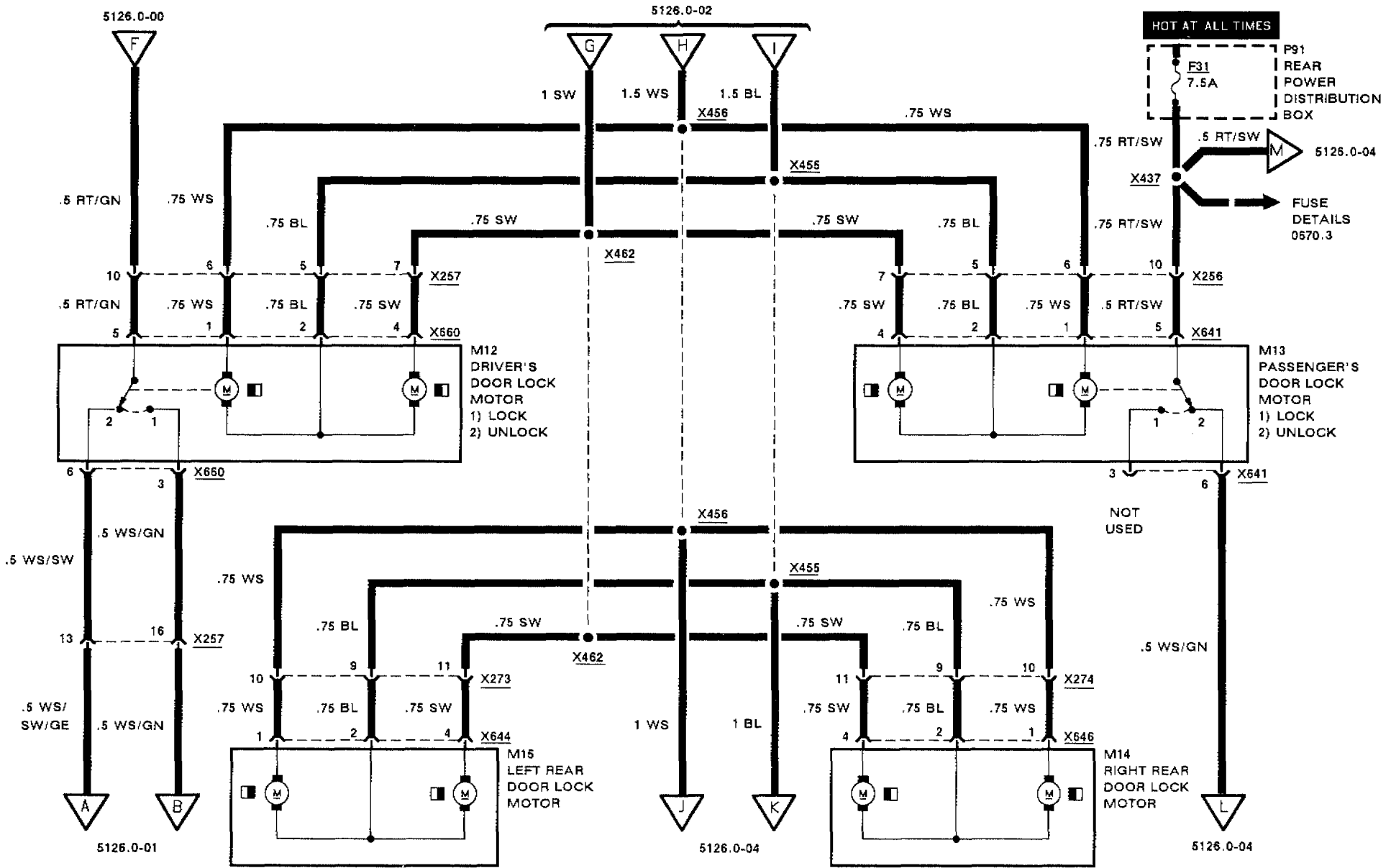
OUTPUT DETAILS





ZKE CENTRAL LOCKING (ZV)

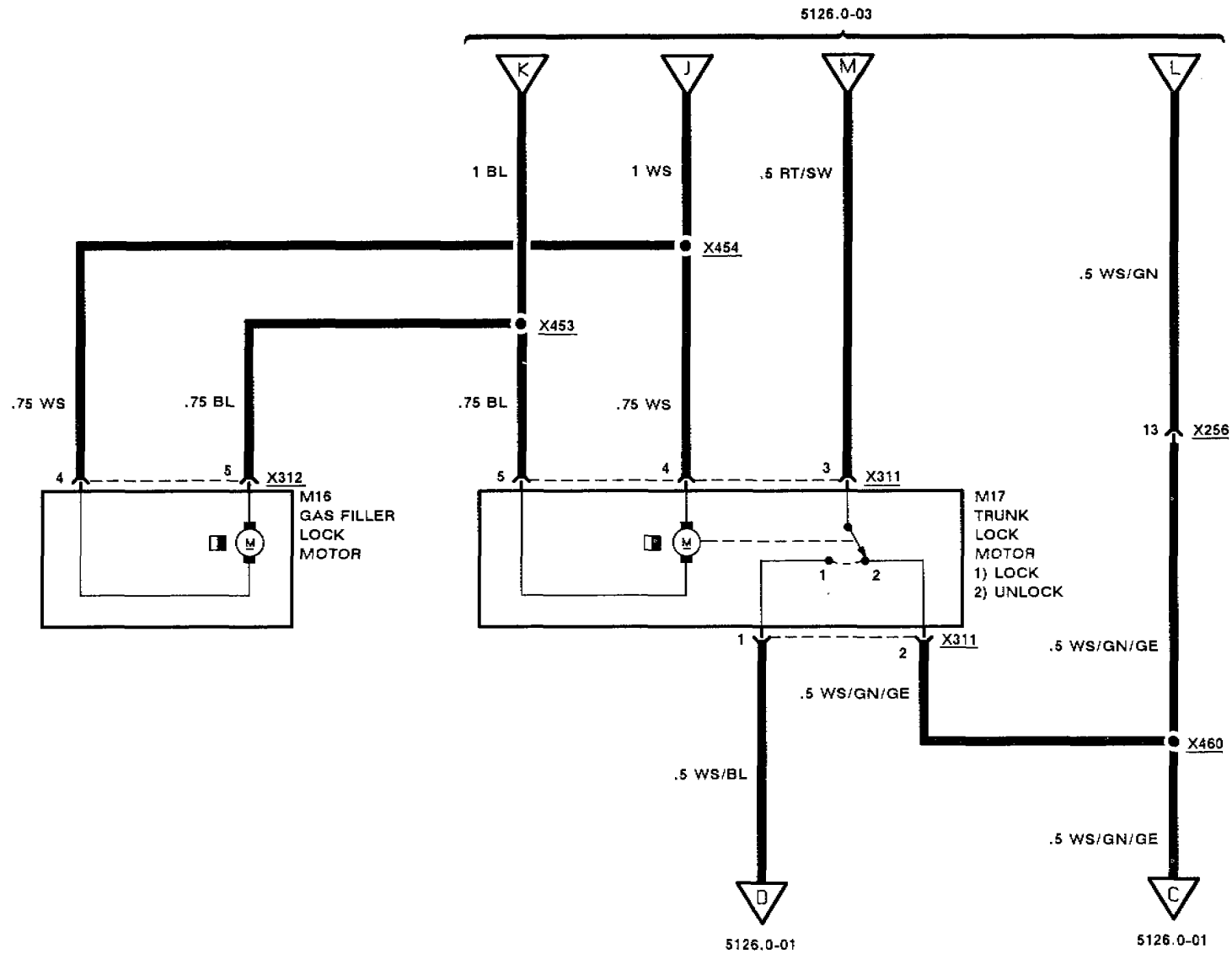
OUTPUT DETAILS





ZKE CENTRAL LOCKING (ZV)

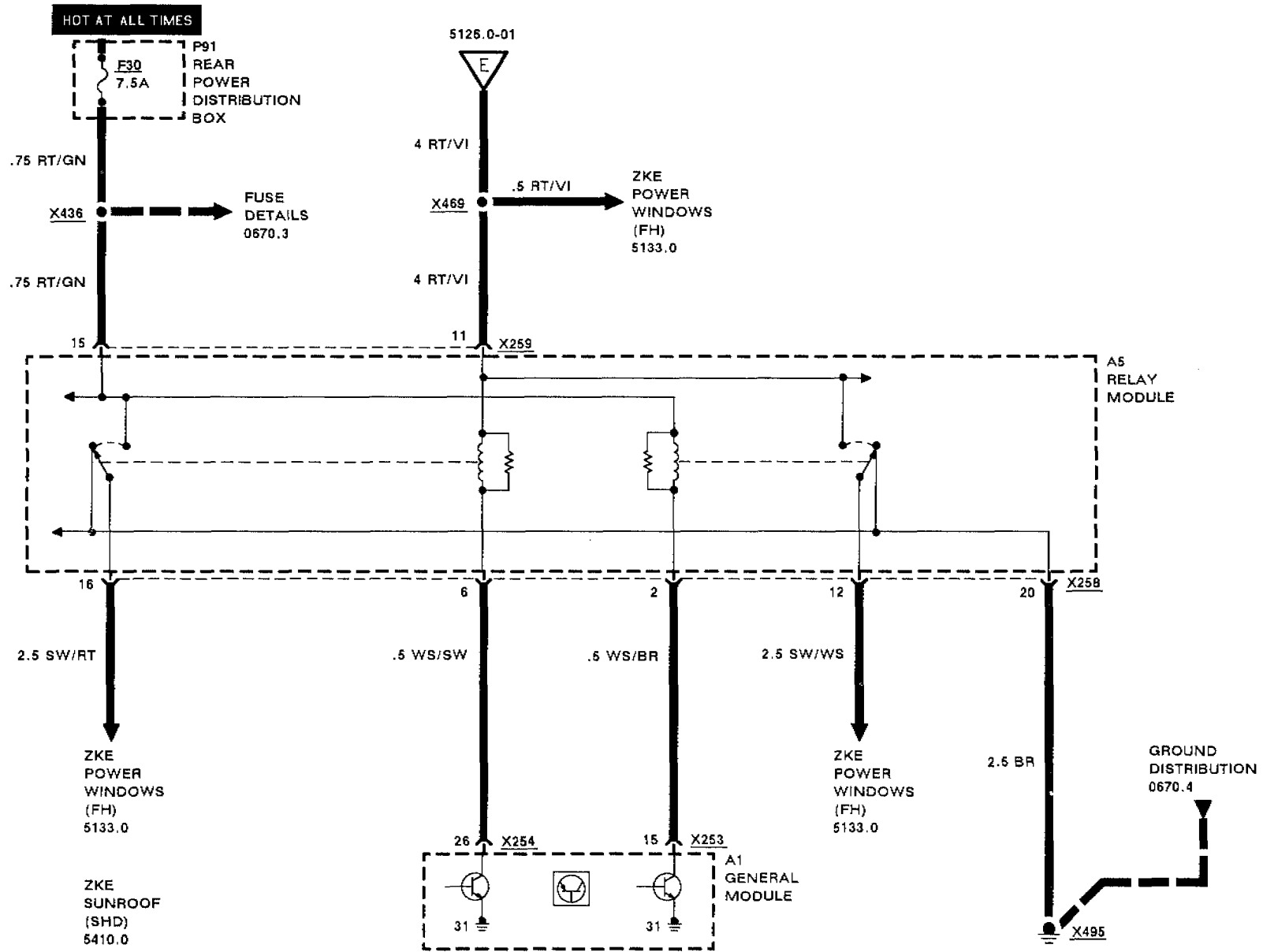
OUTPUT DETAILS



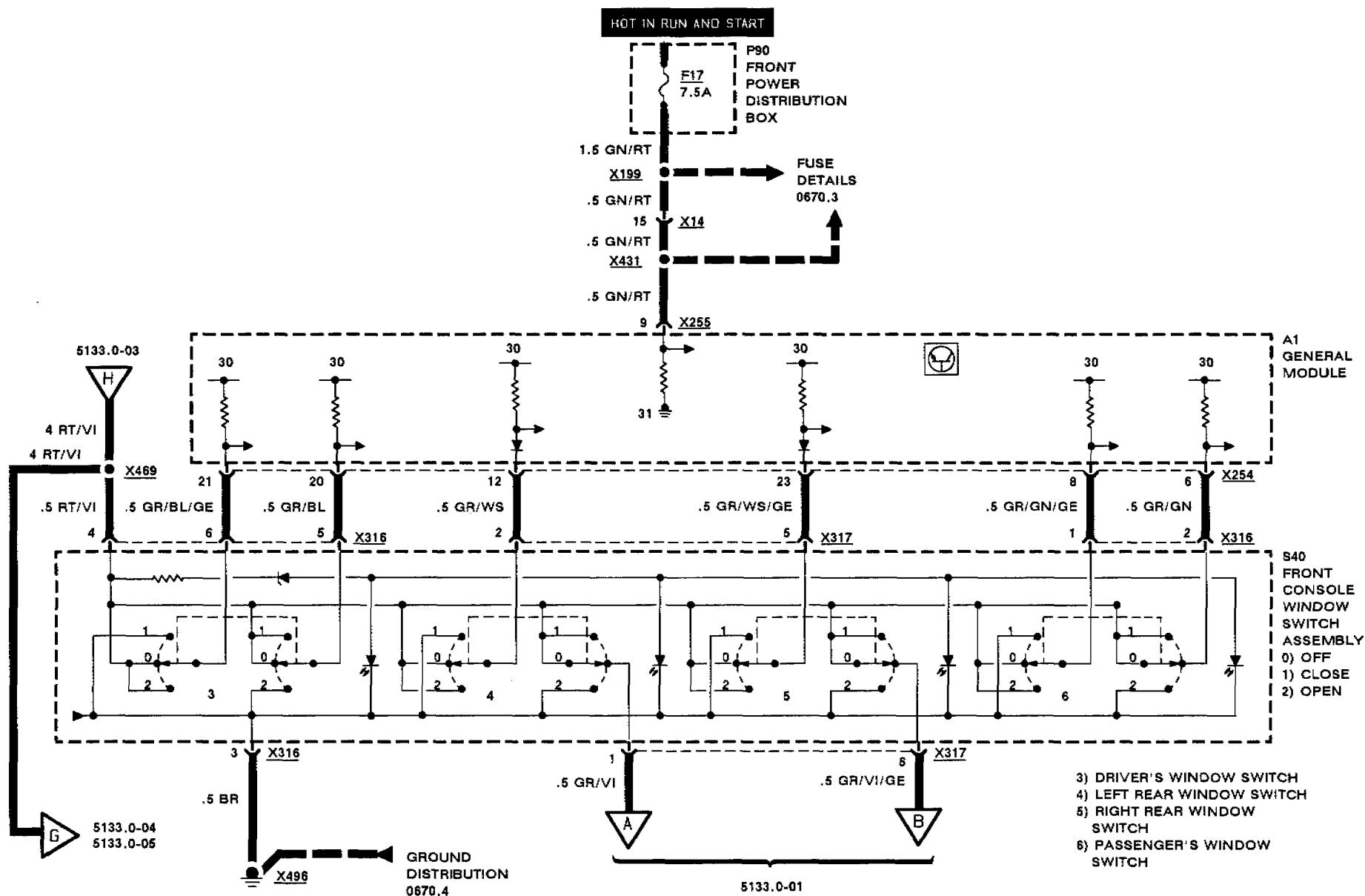


ZKE CENTRAL LOCKING (ZV)

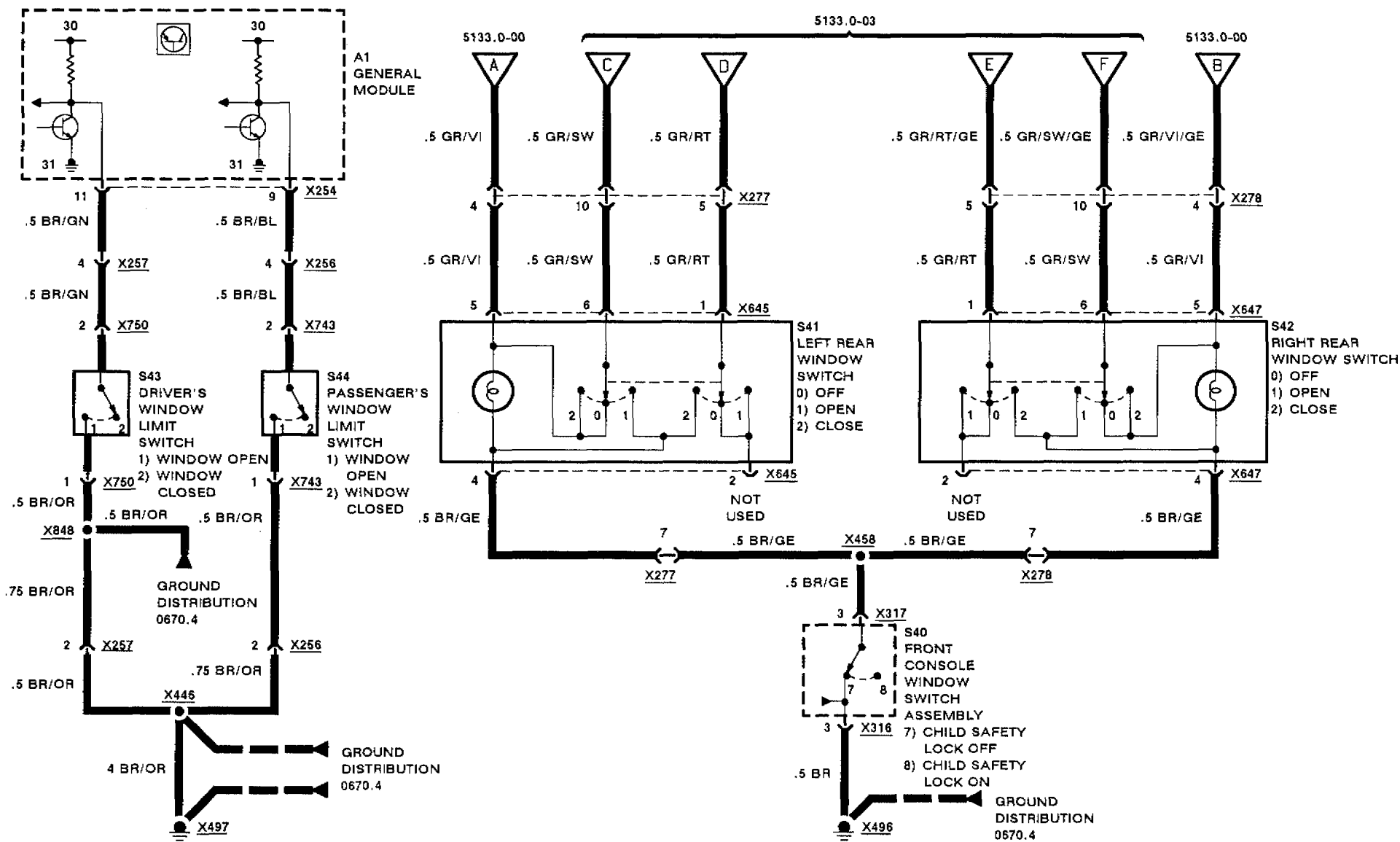
OUTPUT DETAILS



BMW 5 ZKE POWER WINDOWS (FH)
INPUT DETAILS



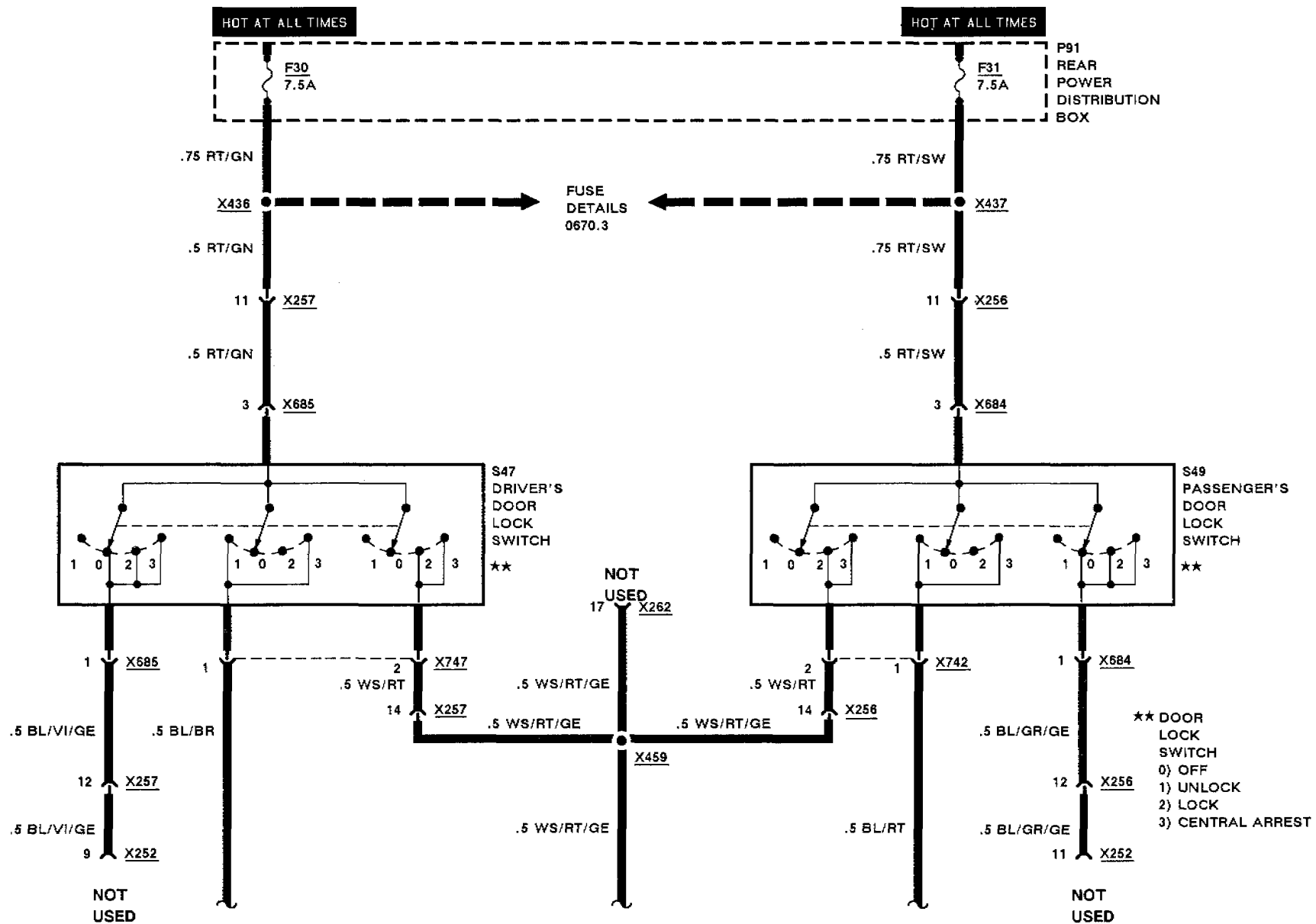
BMW 5 ZKE POWER WINDOWS (FH)
INPUT DETAILS

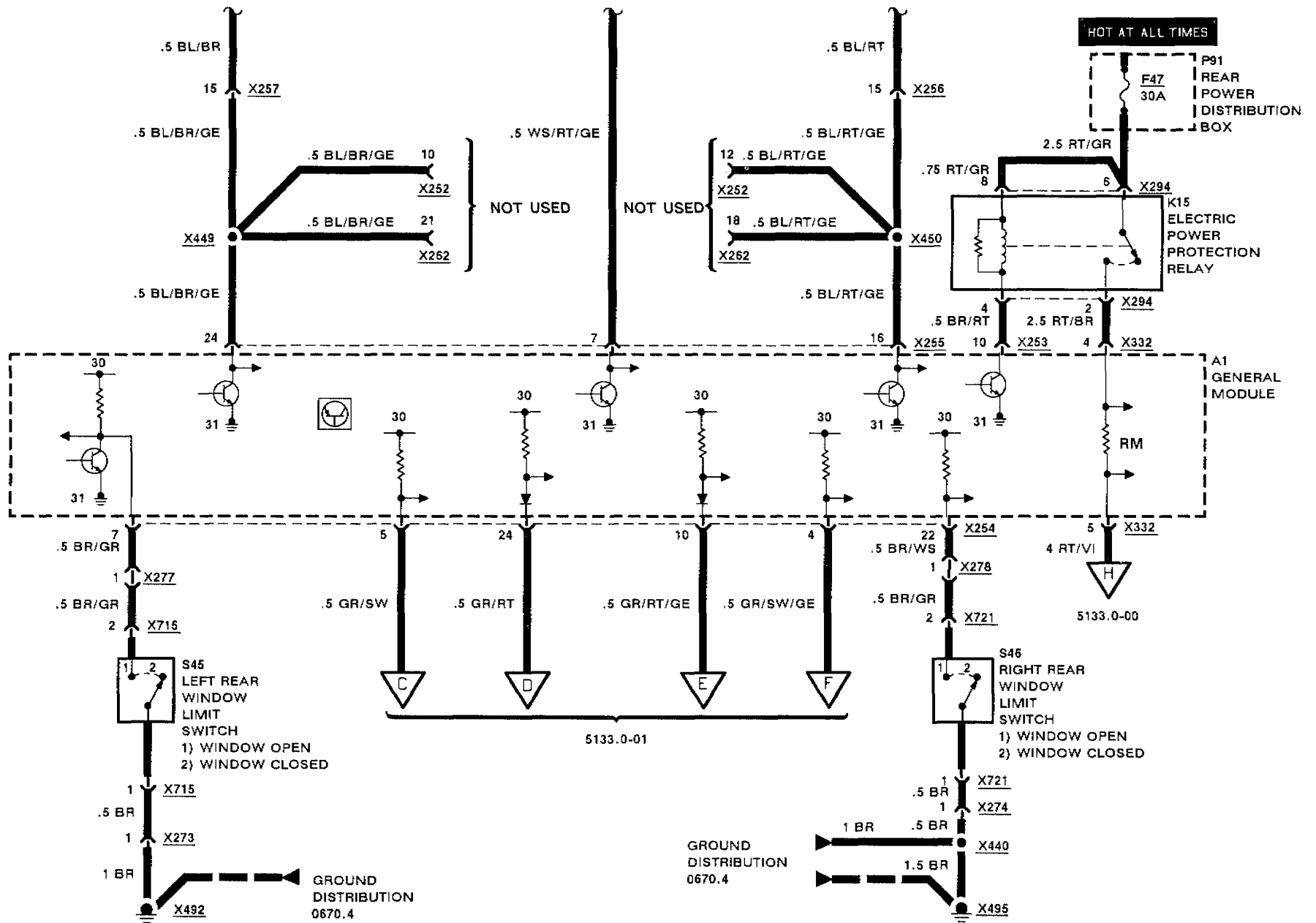




ZKE POWER WINDOWS (FH)

INPUT DETAILS

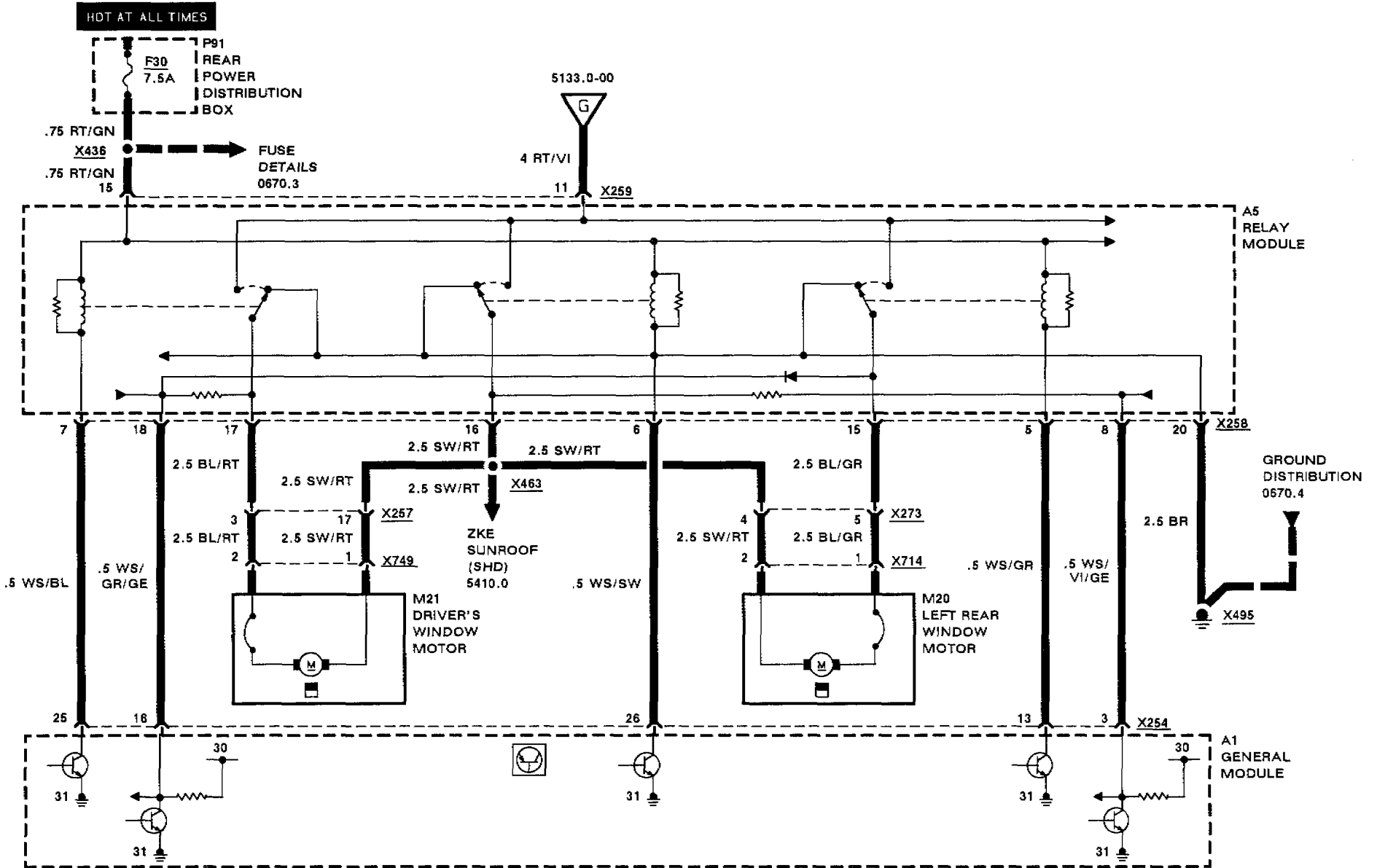






ZKE POWER WINDOWS (FH)

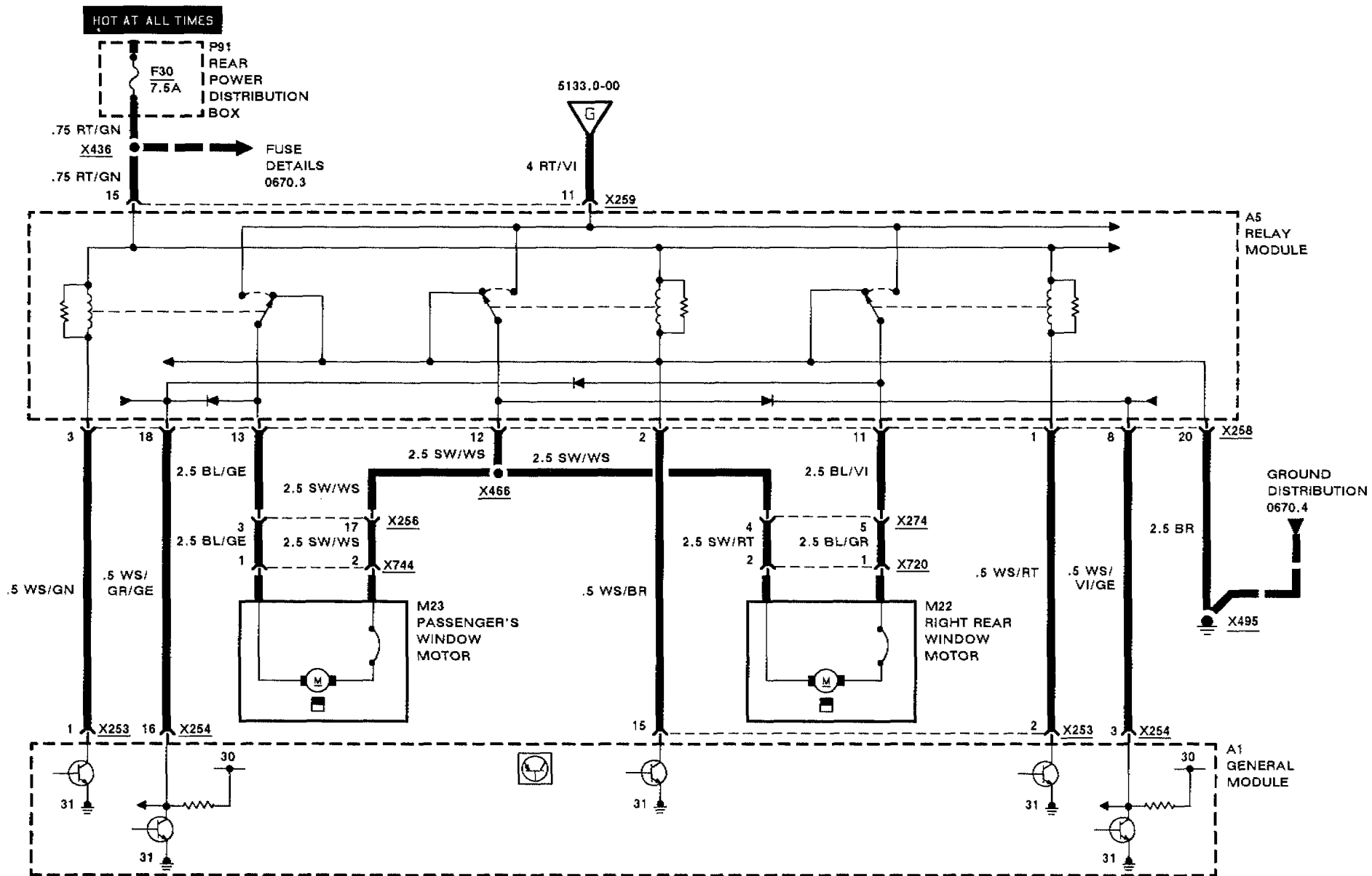
LEFT SIDE OUTPUT DETAILS





ZKE POWER WINDOWS (FH)

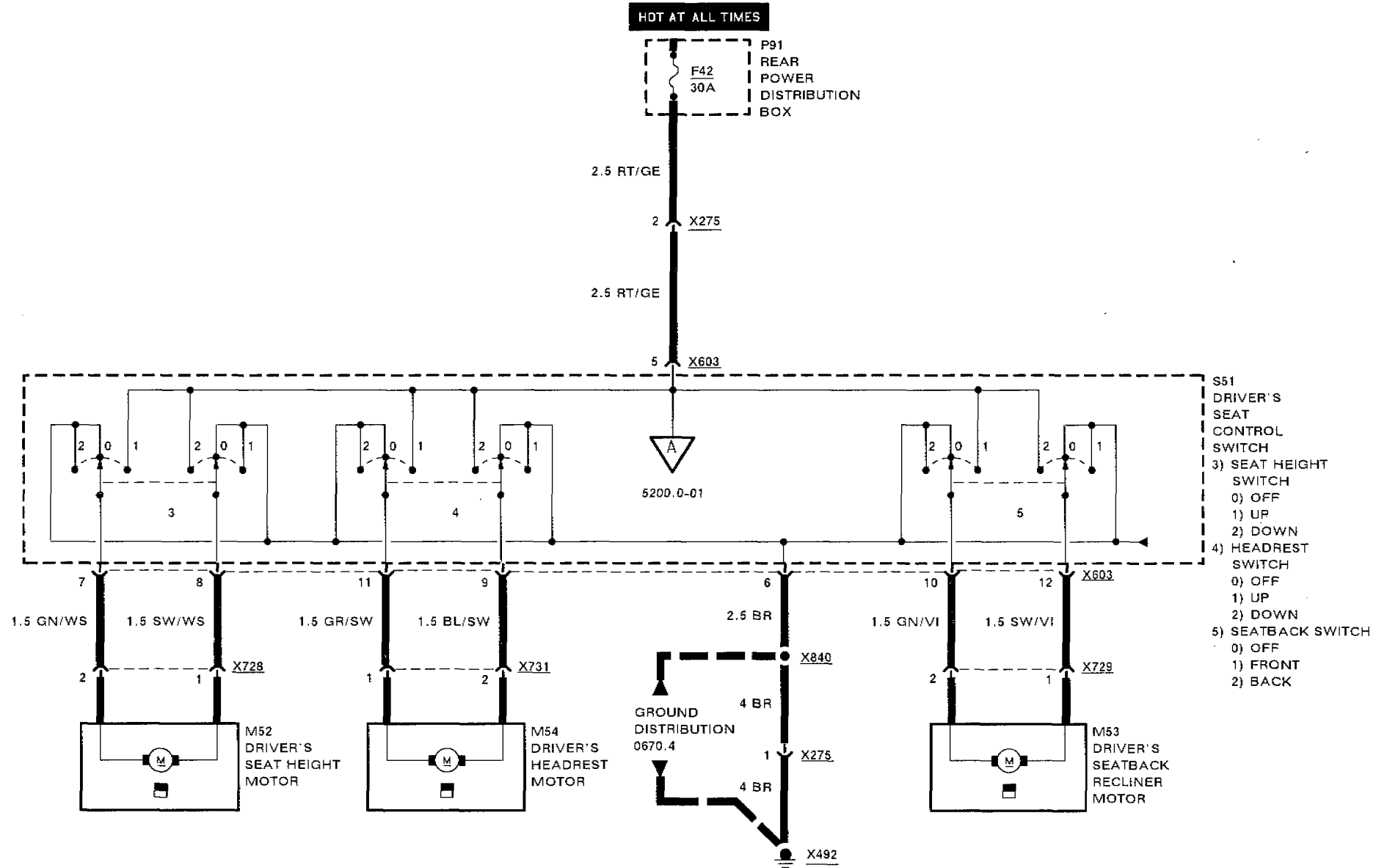
RIGHT SIDE OUTPUT DETAILS





POWER SEATS

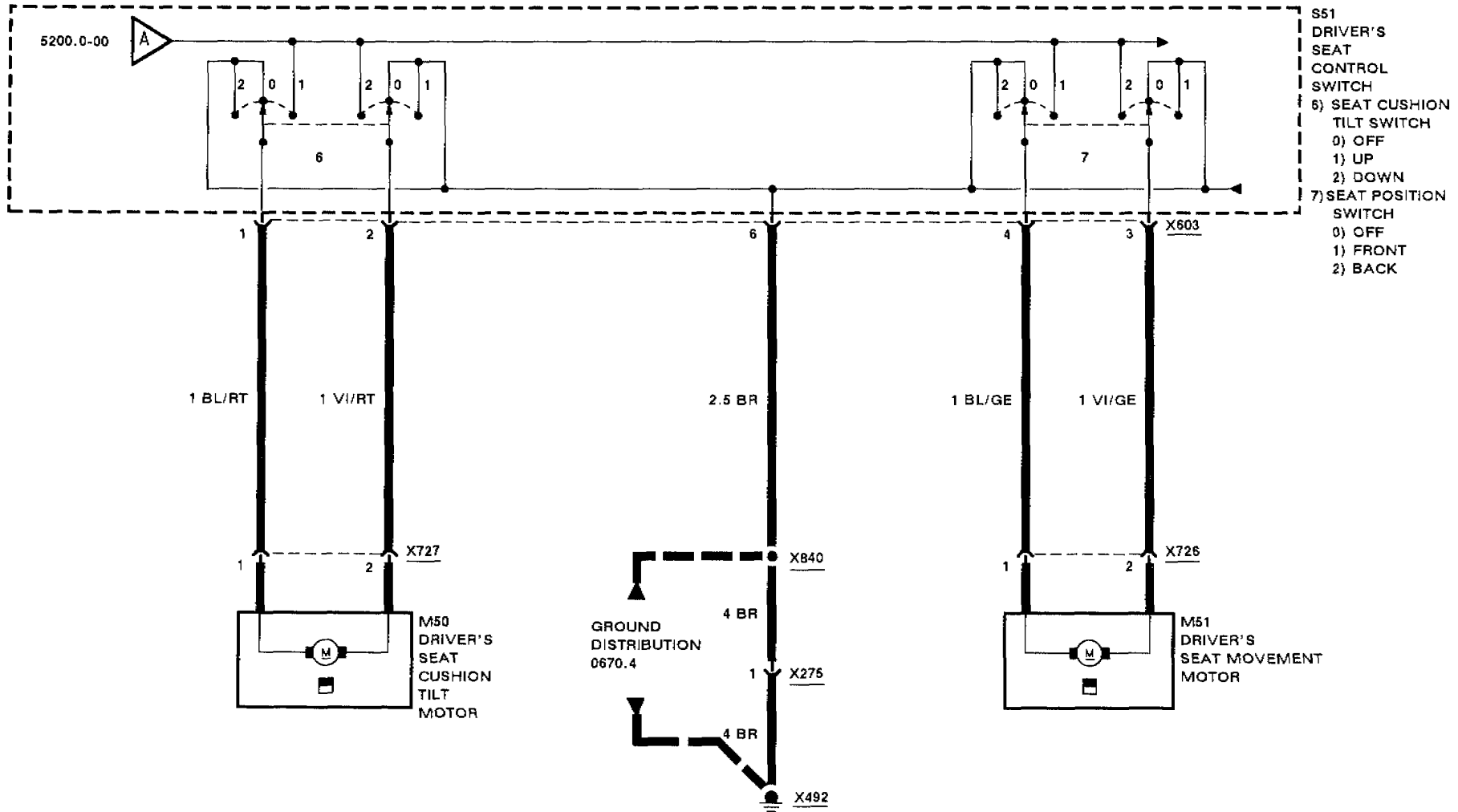
DRIVER'S SEAT





POWER SEATS

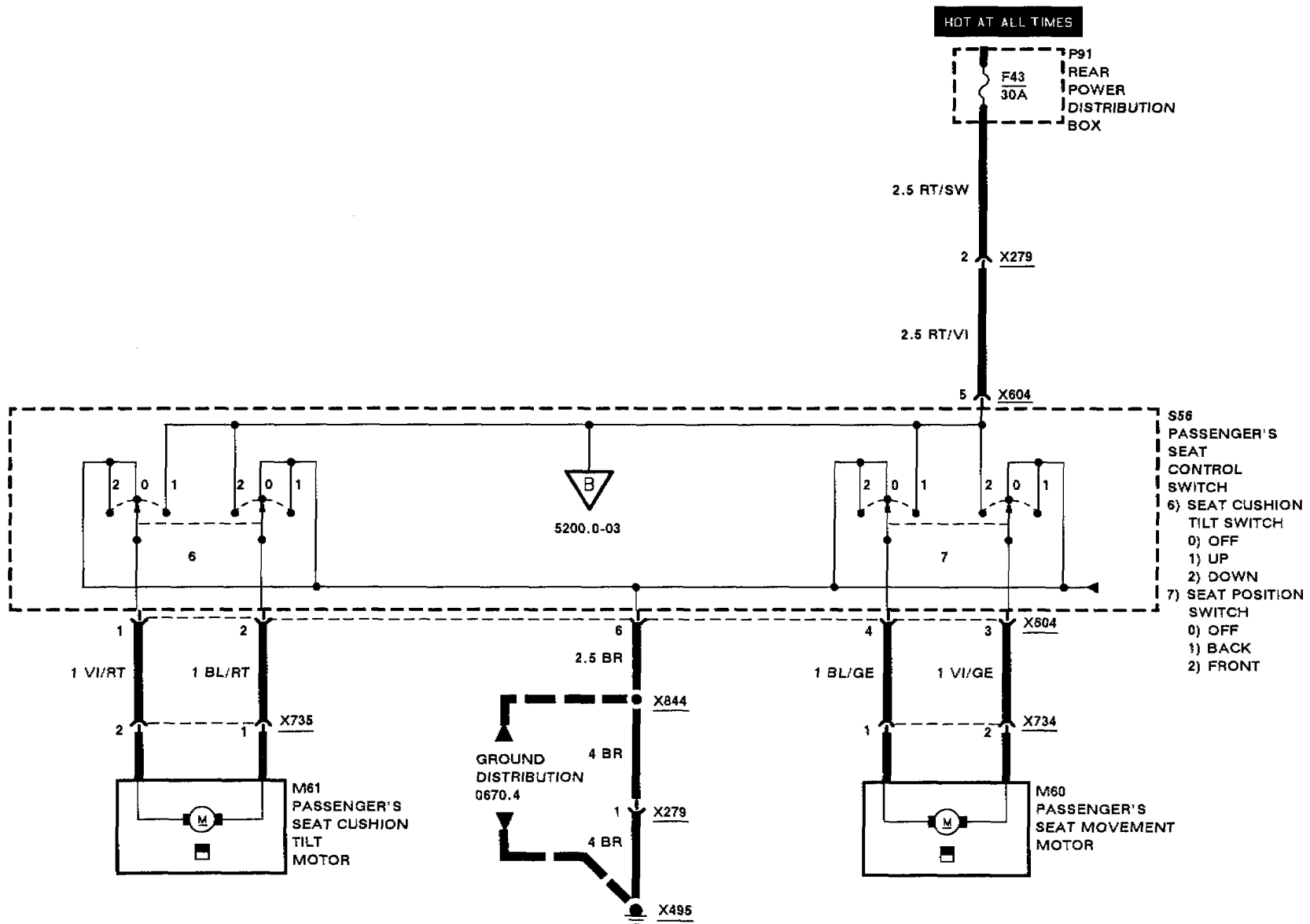
DRIVER'S SEAT





POWER SEATS

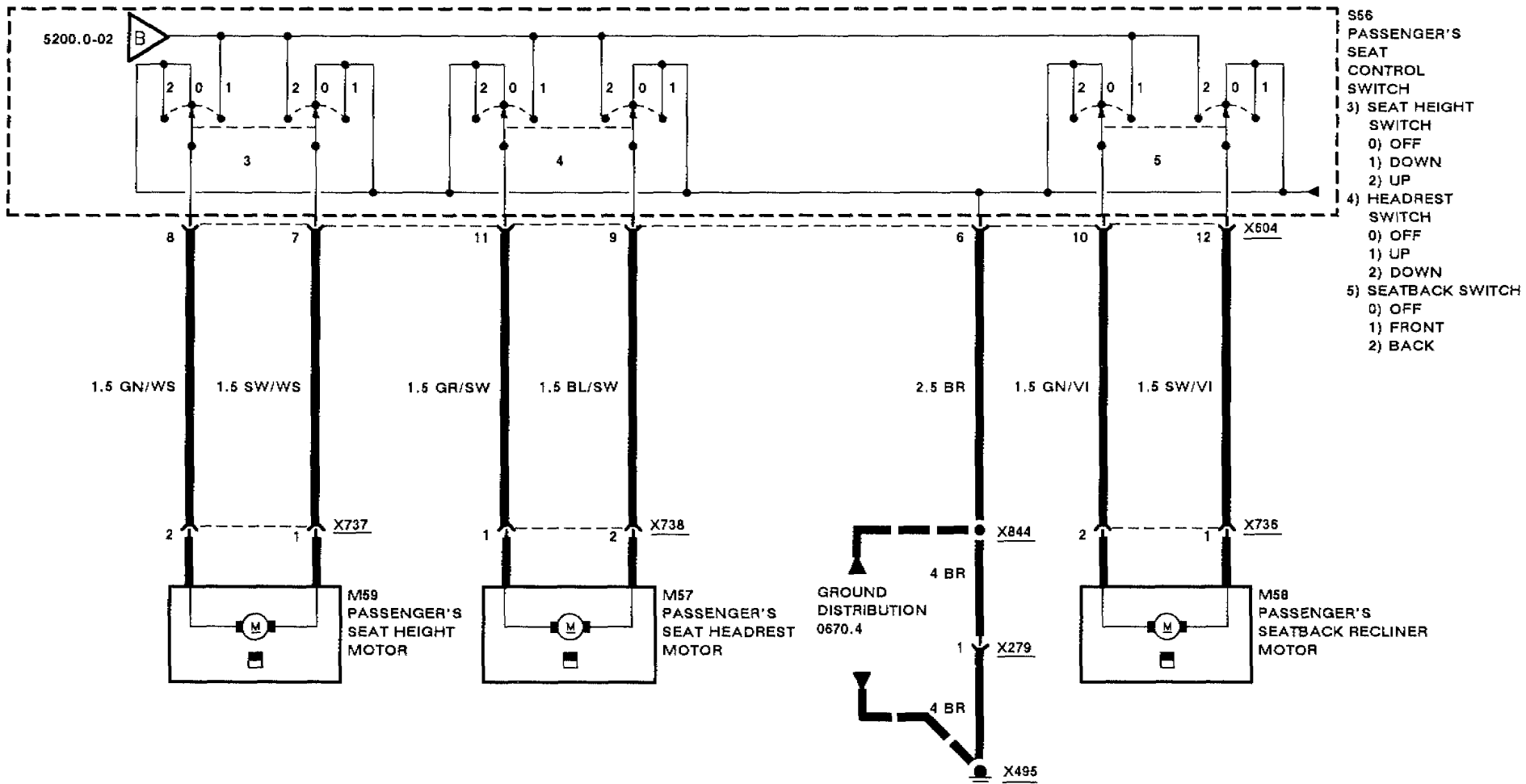
PASSENGER'S SEAT





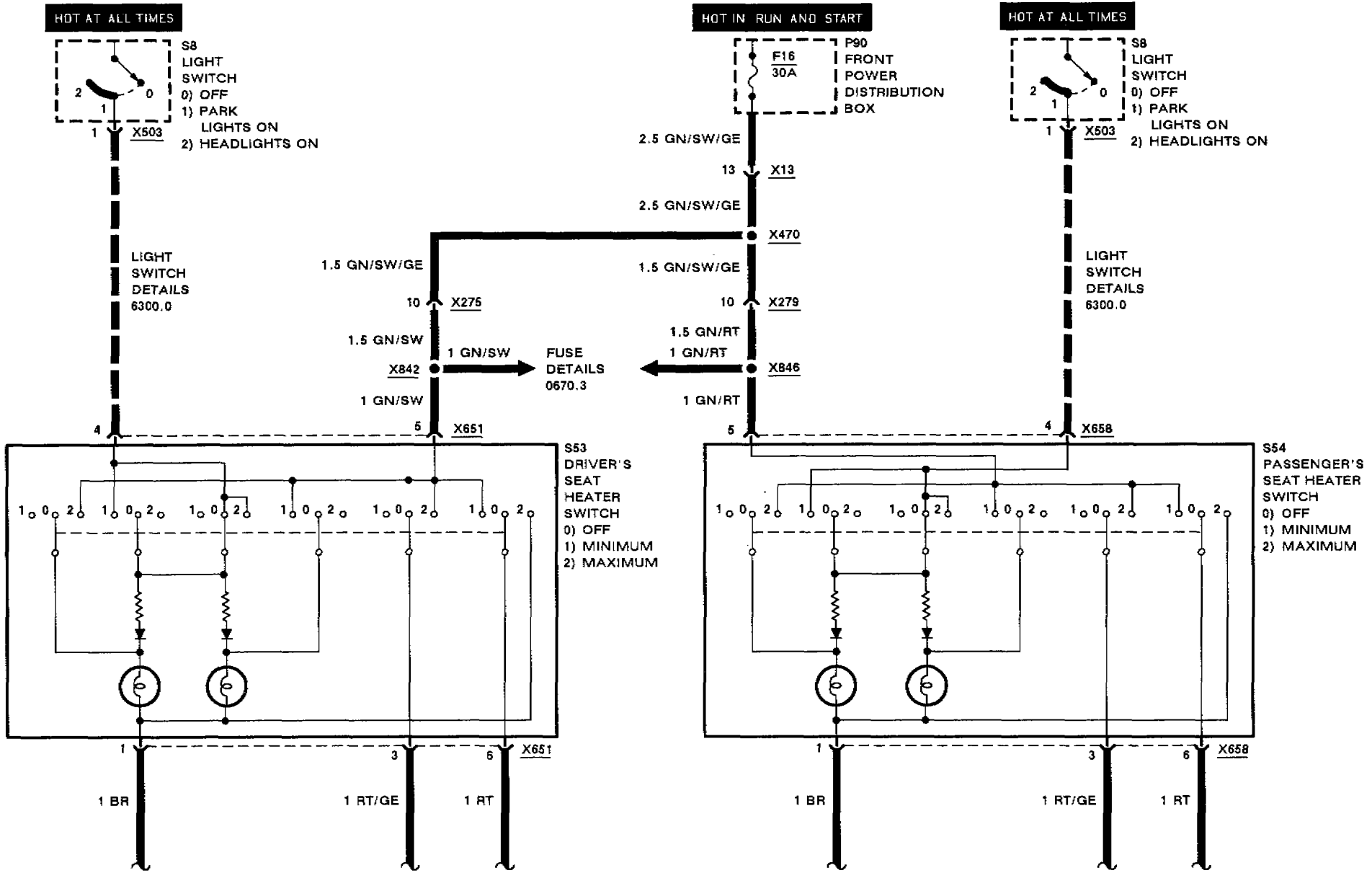
POWER SEATS

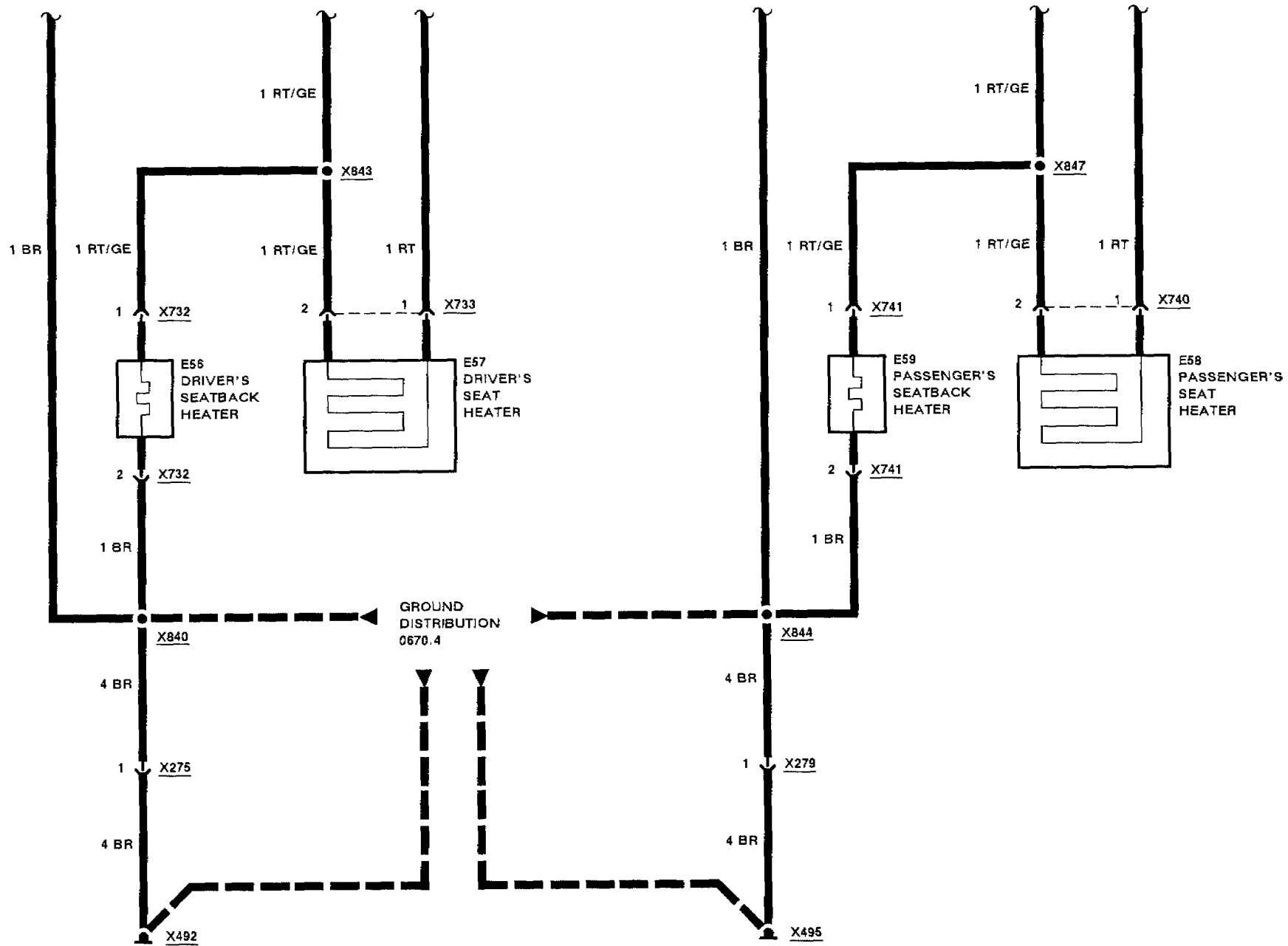
PASSENGER'S SEAT



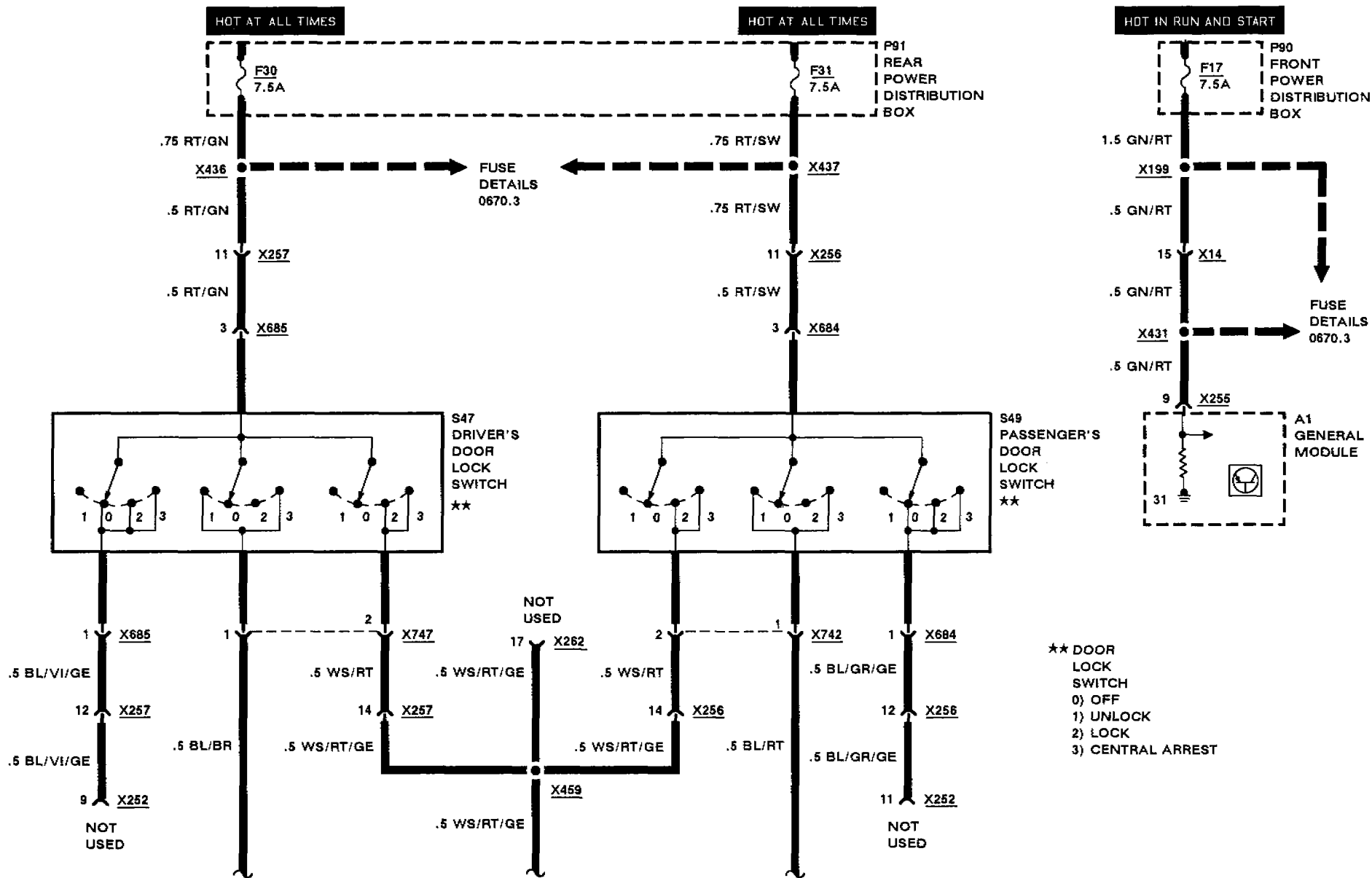


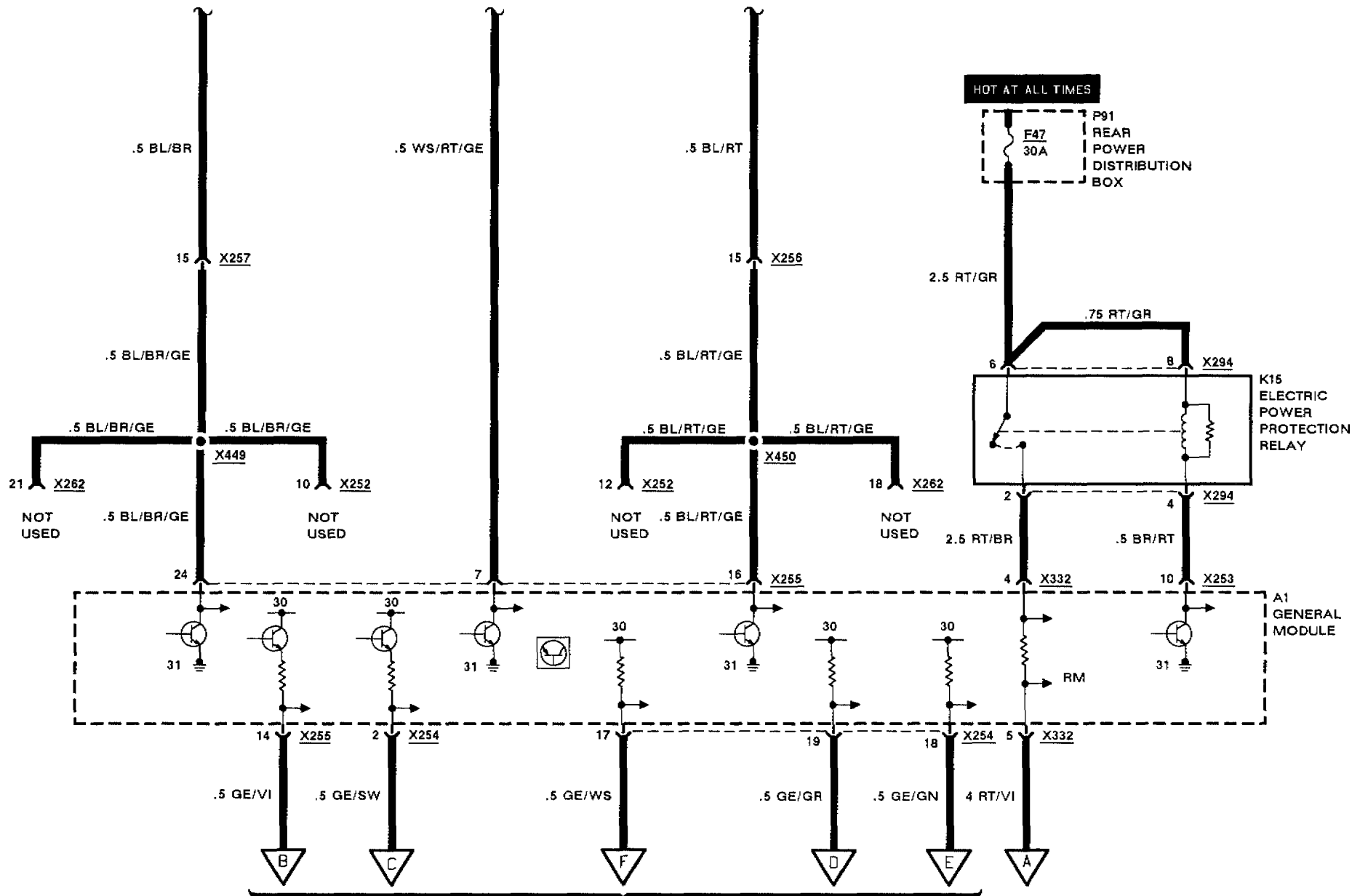
HEATED SEATS





BMW 5 ZKE SUNROOF (SHD)
INPUT DETAILS





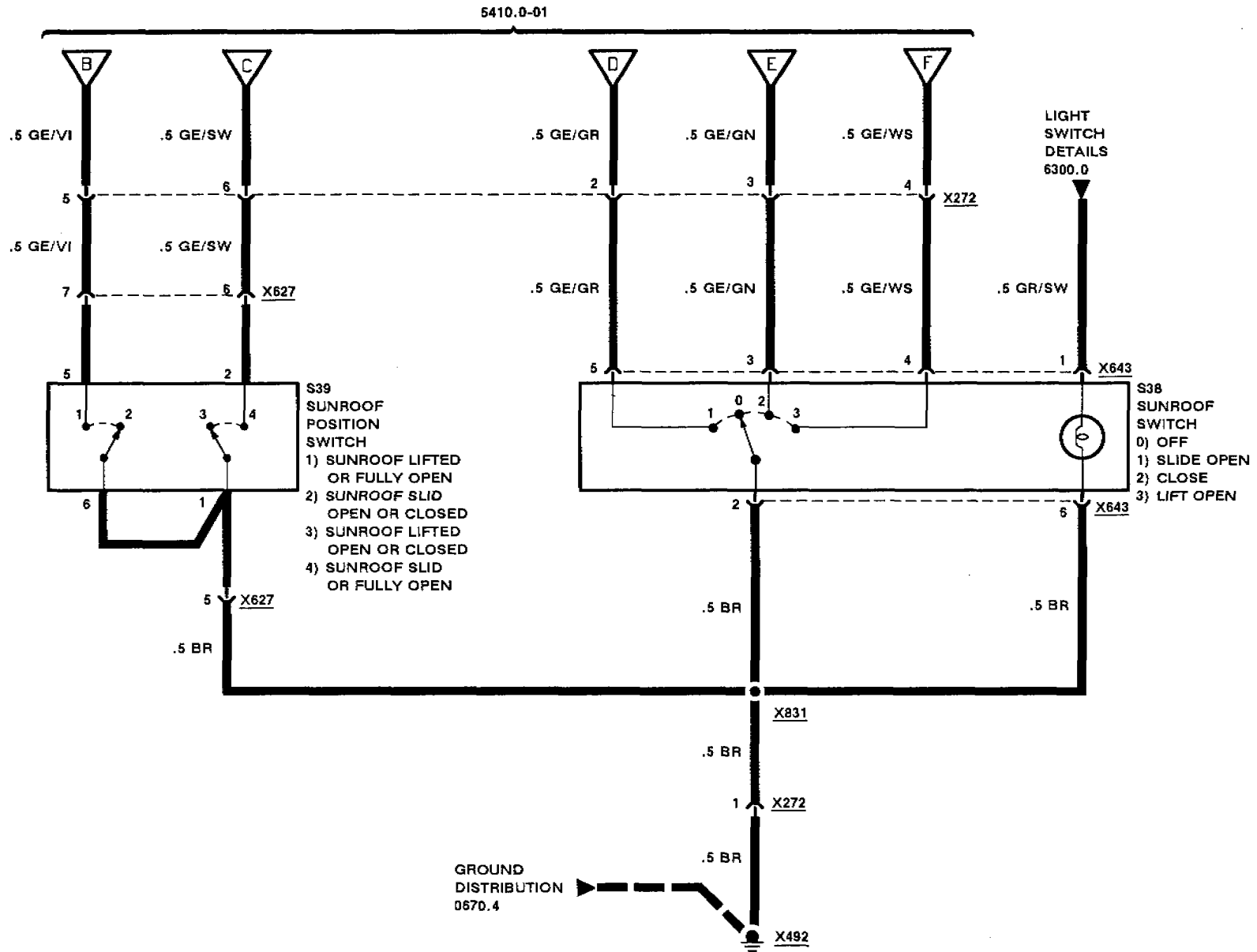
5410.0-02

5410.0-03



ZKE SUNROOF (SHD)

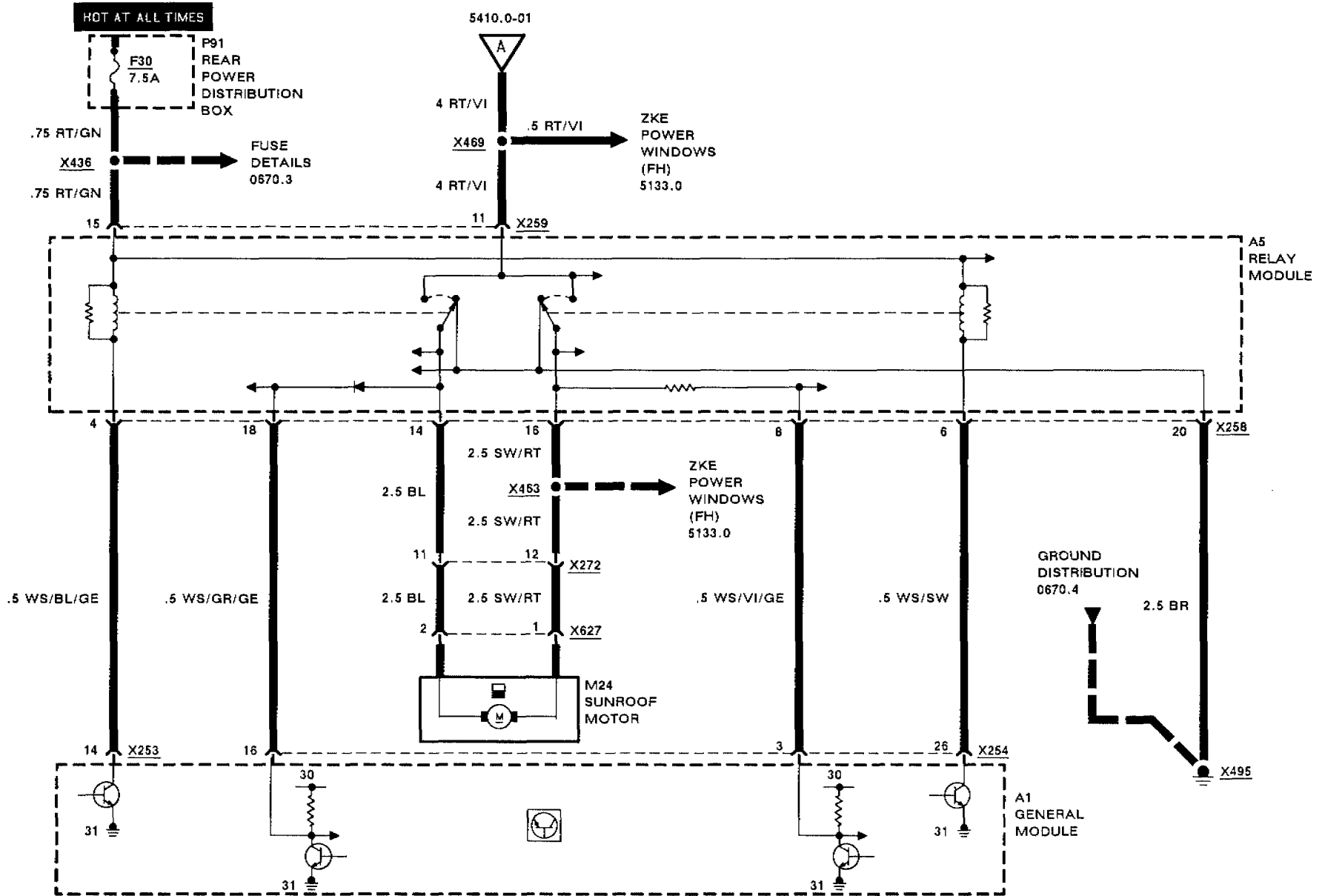
INPUT DETAILS



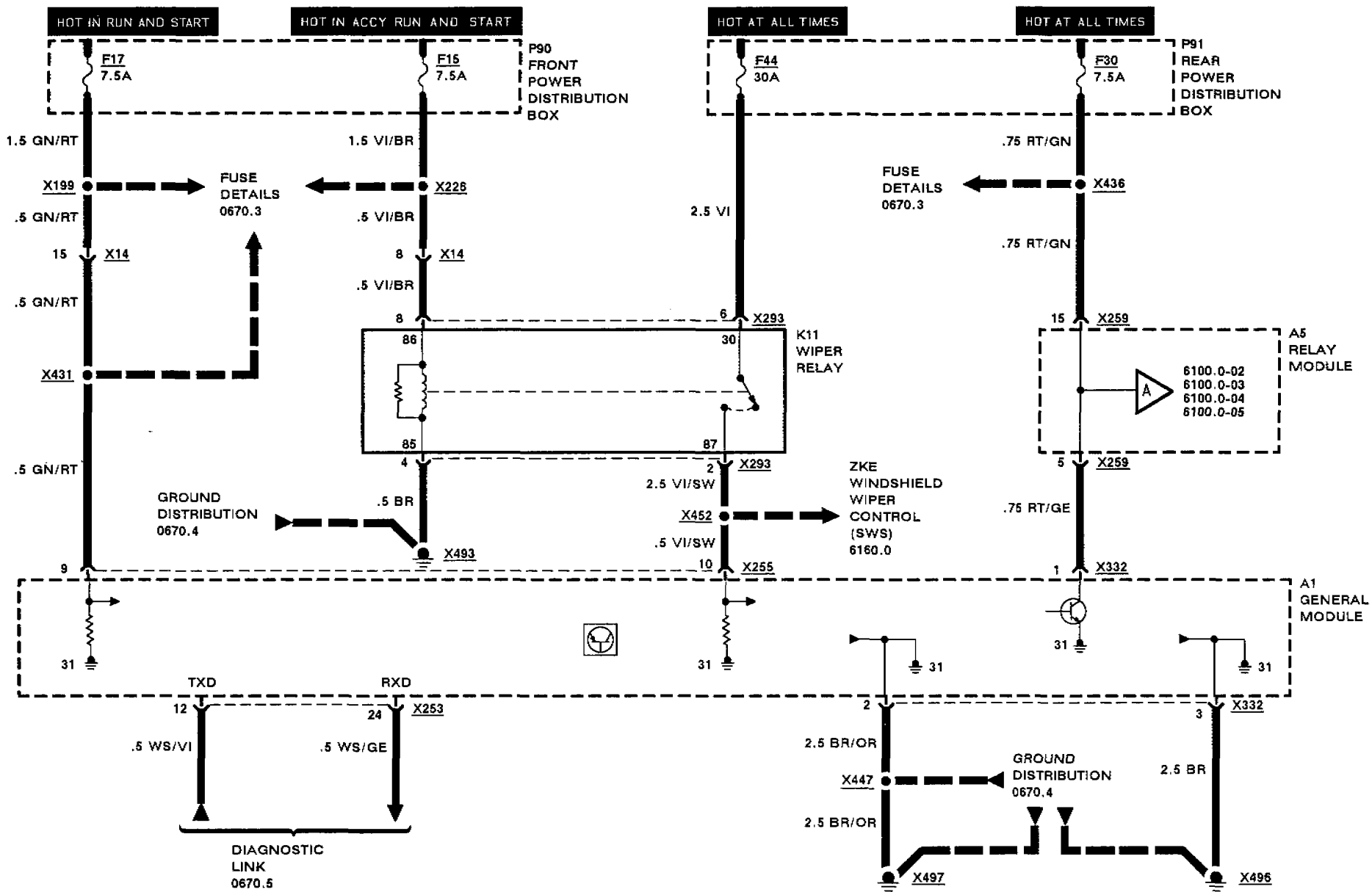


ZKE SUNROOF (SHD)

OUTPUT DETAILS



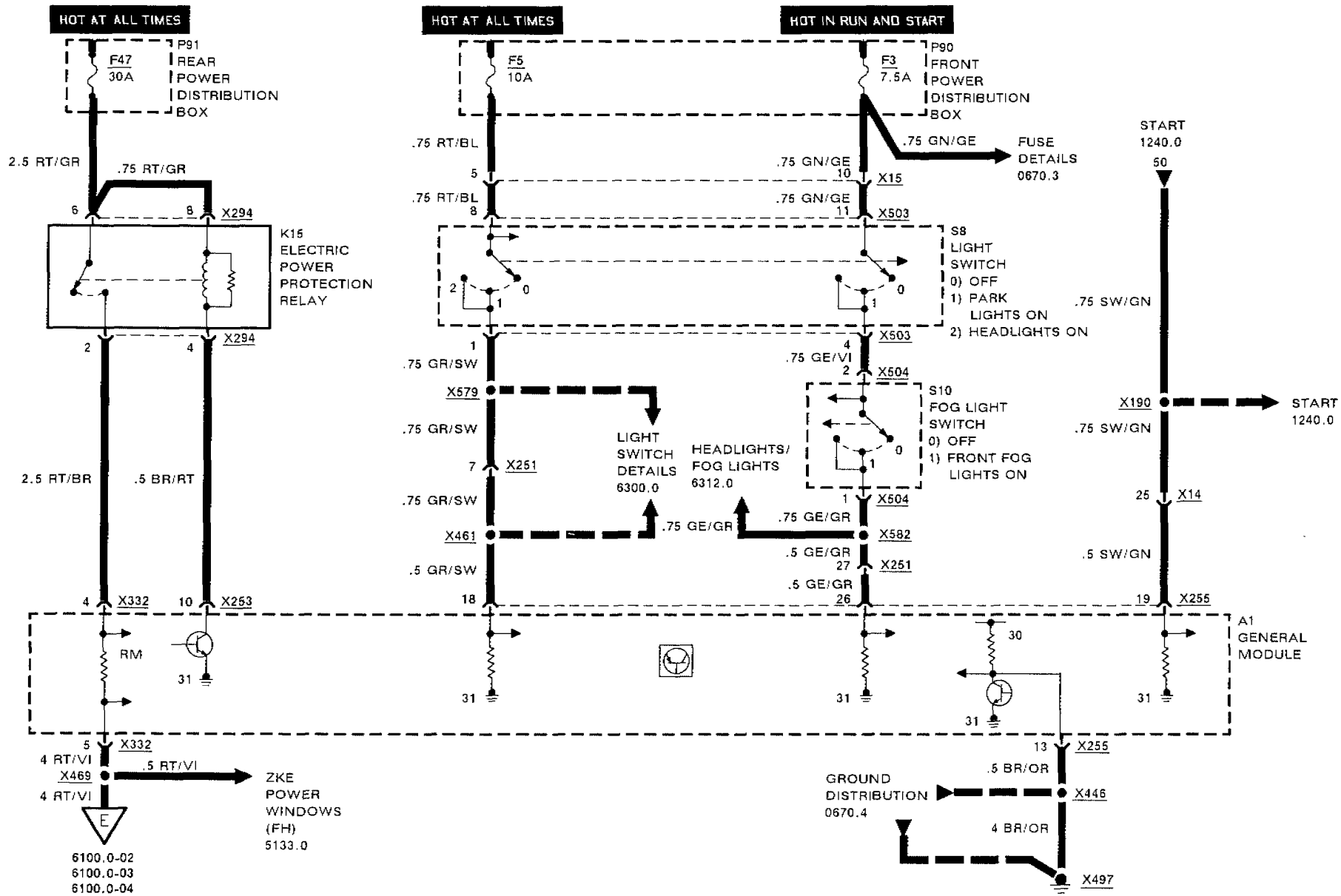
BMW 5 **CENTRAL BODY ELECTRONICS (ZKE)**
GENERAL MODULE





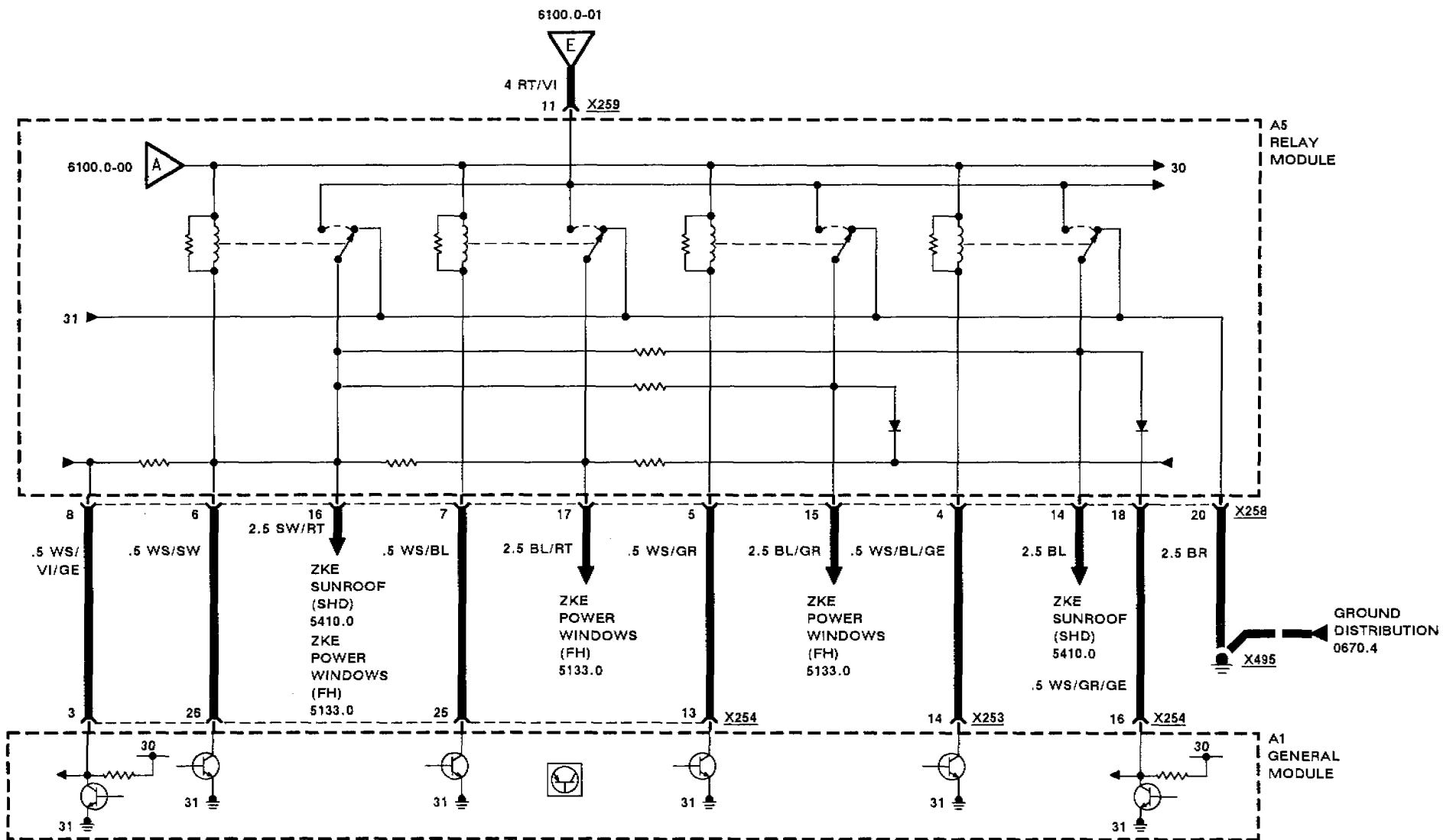
CENTRAL BODY ELECTRONICS (ZKE)

GENERAL MODULE



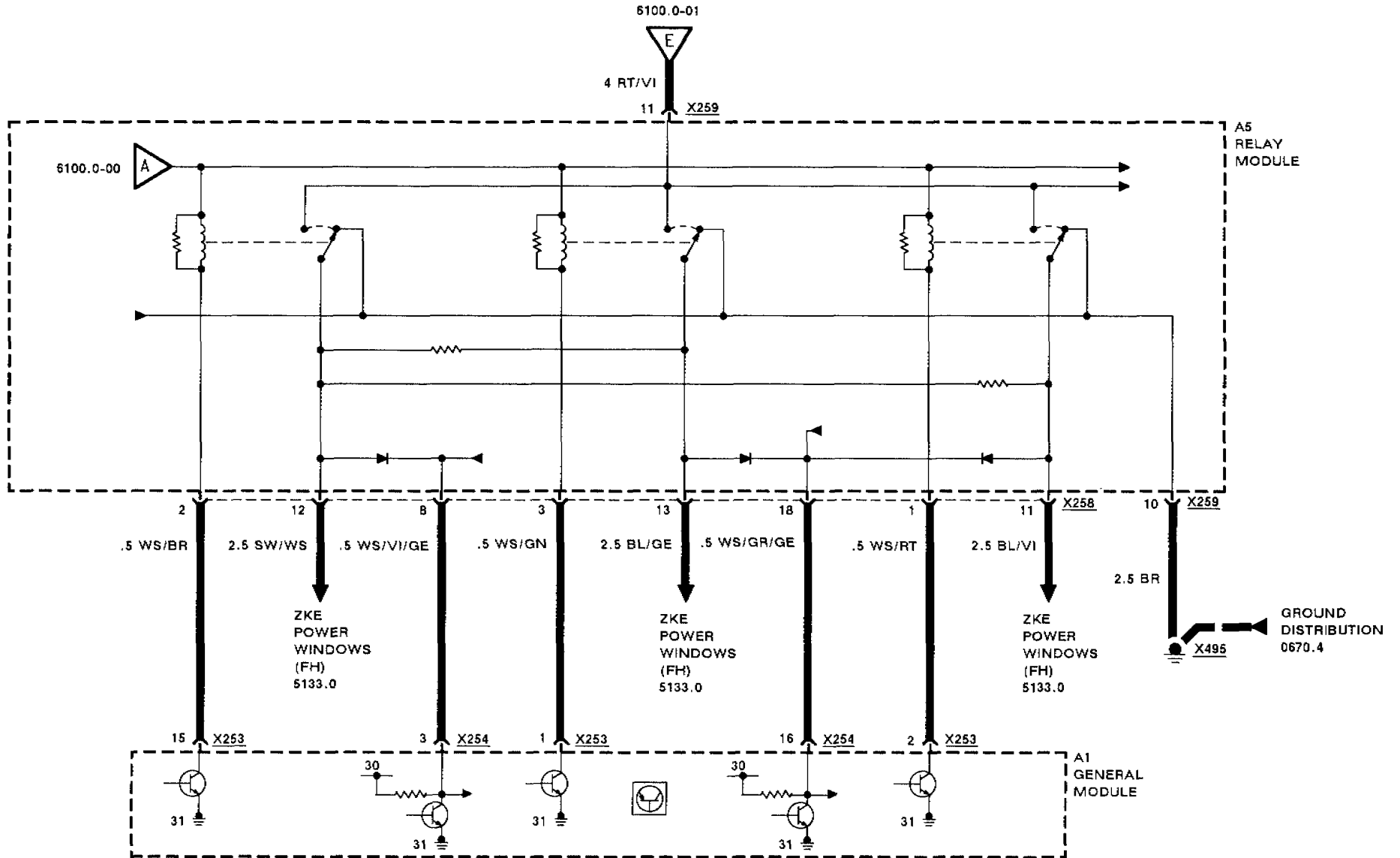


CENTRAL BODY ELECTRONICS (ZKE) RELAY MODULE



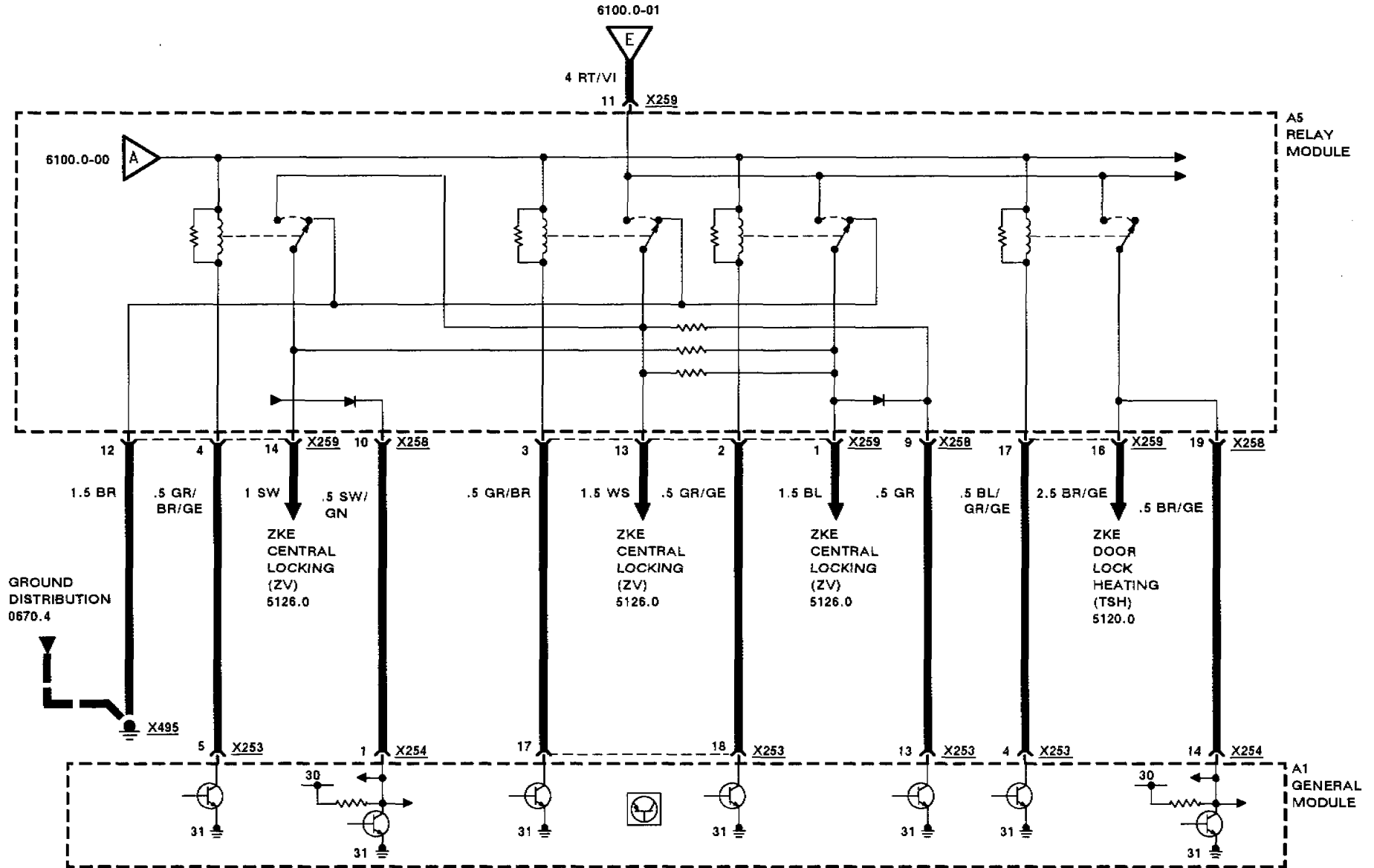


CENTRAL BODY ELECTRONICS (ZKE) RELAY MODULE





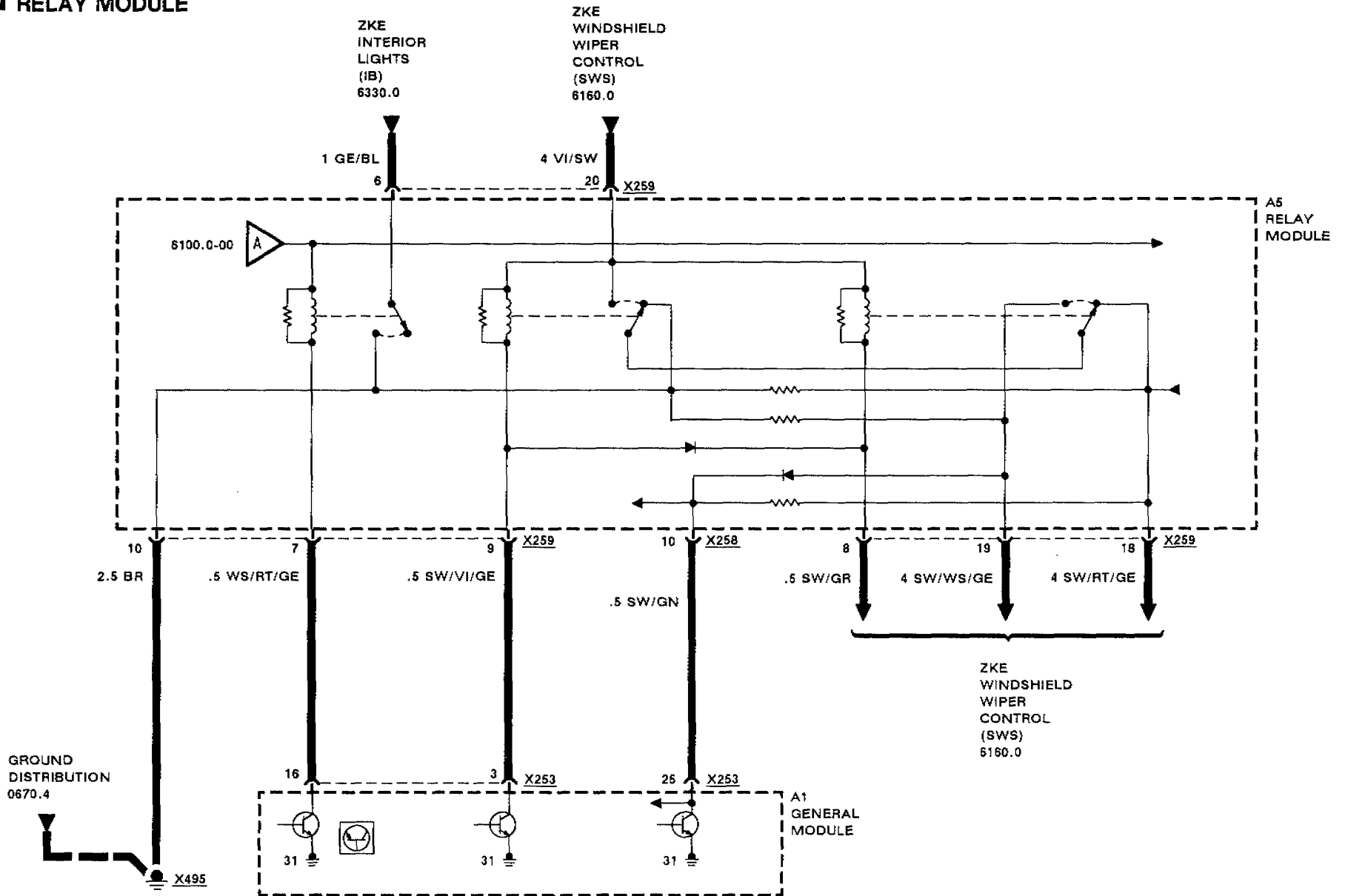
CENTRAL BODY ELECTRONICS (ZKE) RELAY MODULE

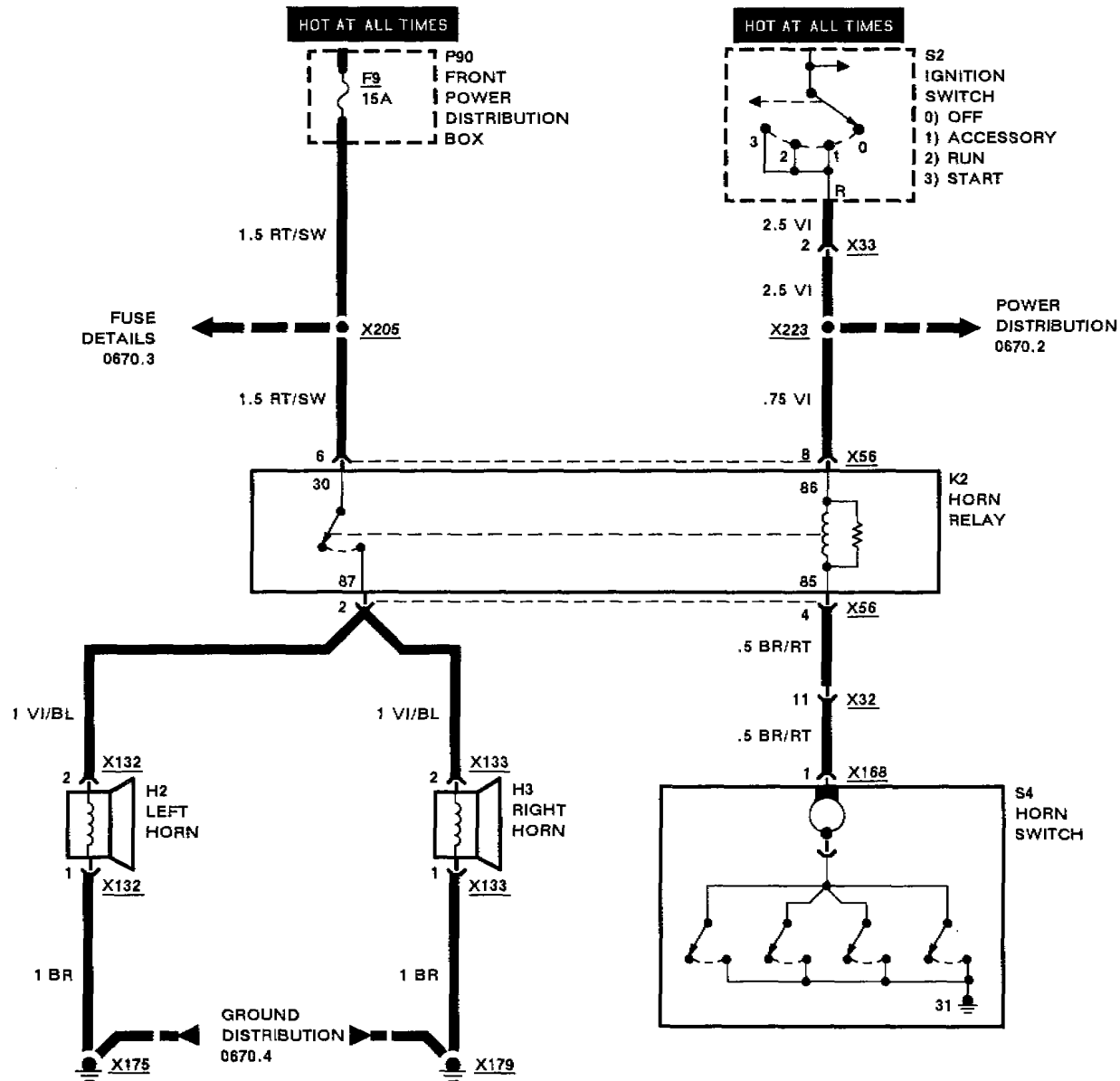




CENTRAL BODY ELECTRONICS (ZKE)

RELAY MODULE

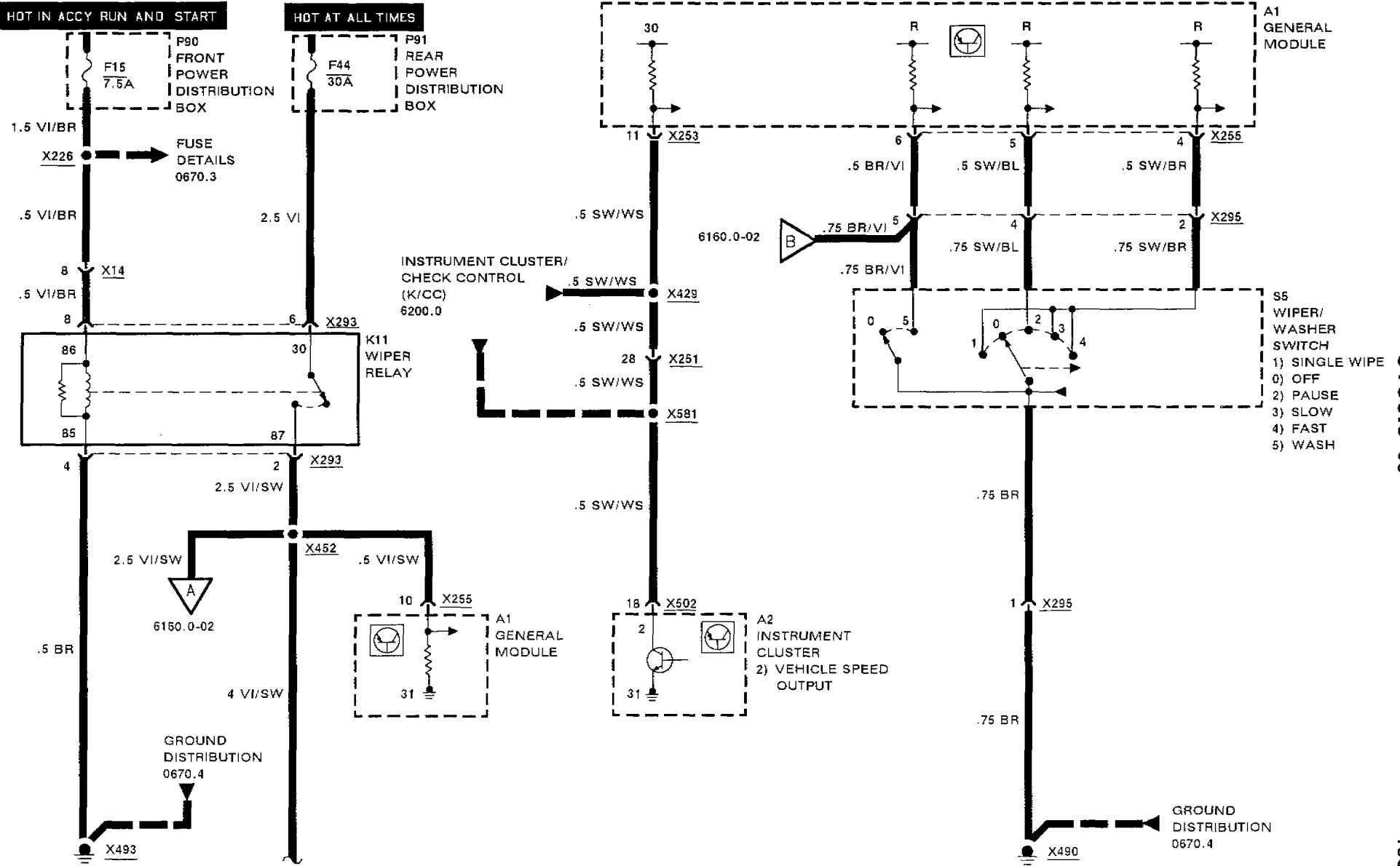




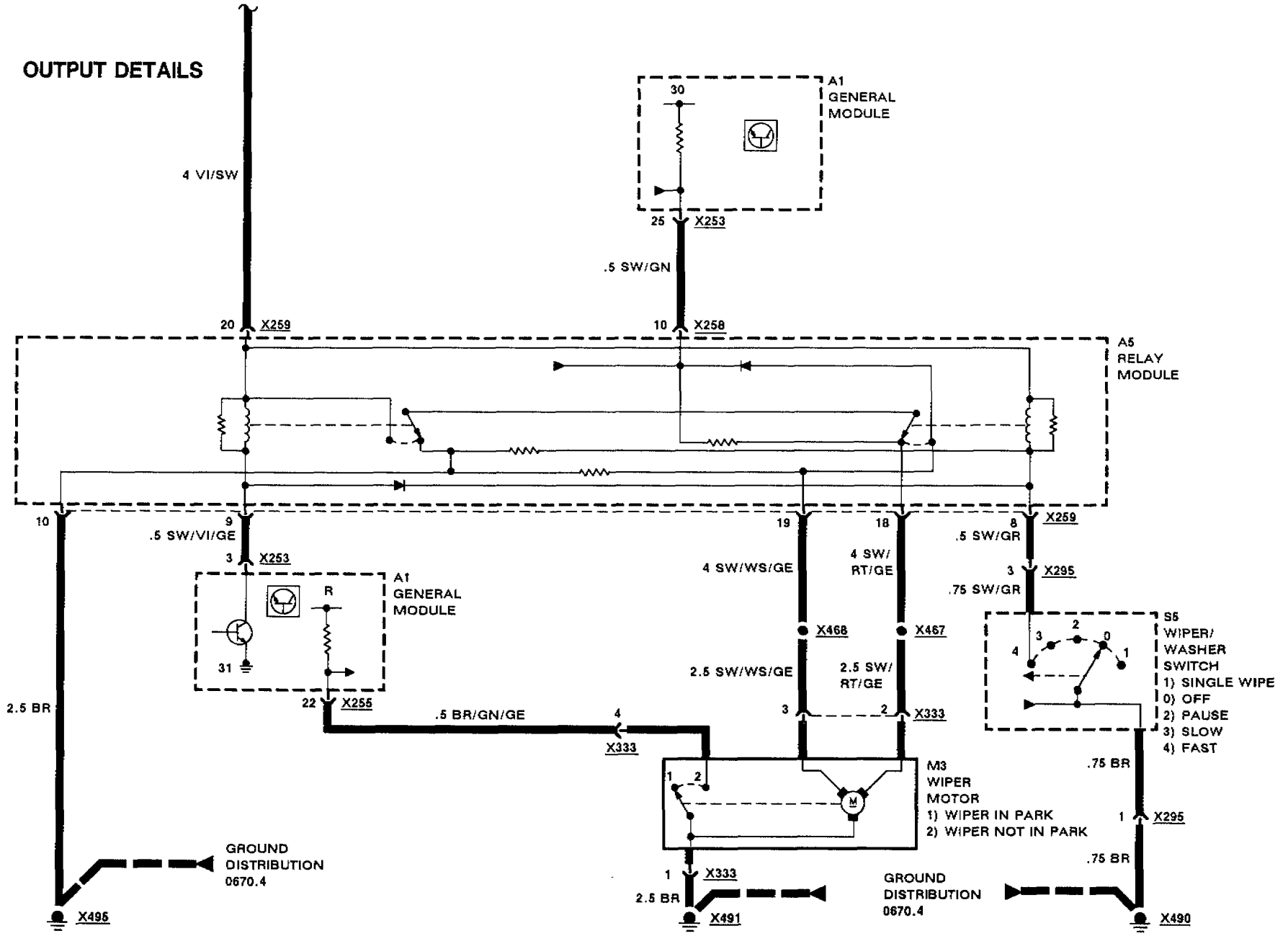


ZKE WINDSHIELD WIPER CONTROL (SWS)

INPUT DETAILS



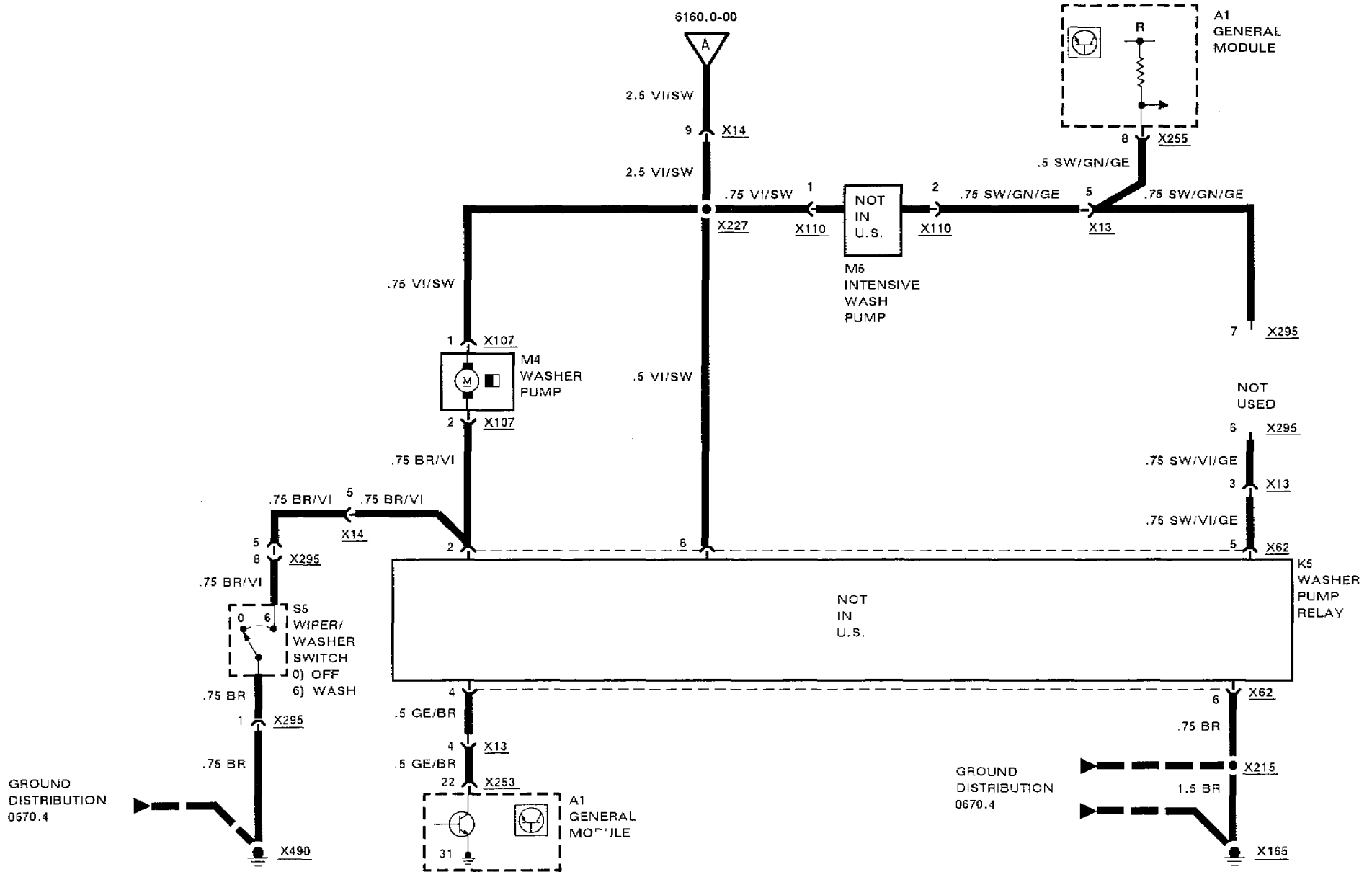
OUTPUT DETAILS





ZKE WINDSHIELD WIPER CONTROL (SWS)

OUTPUT DETAILS

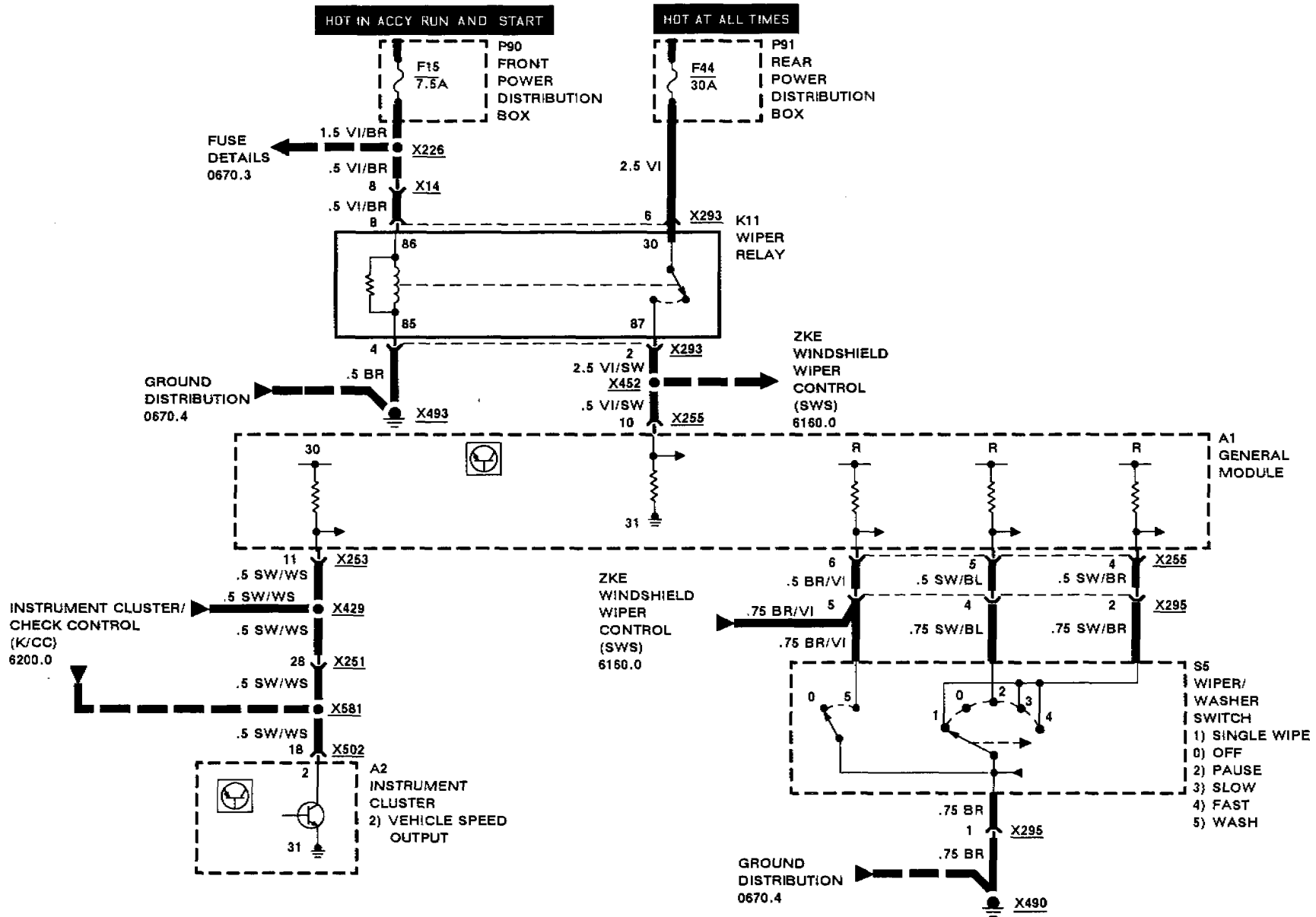




ZKE WINDSHIELD WIPER PRESSURE CONTROL (ADV)

535i

INPUT DETAILS

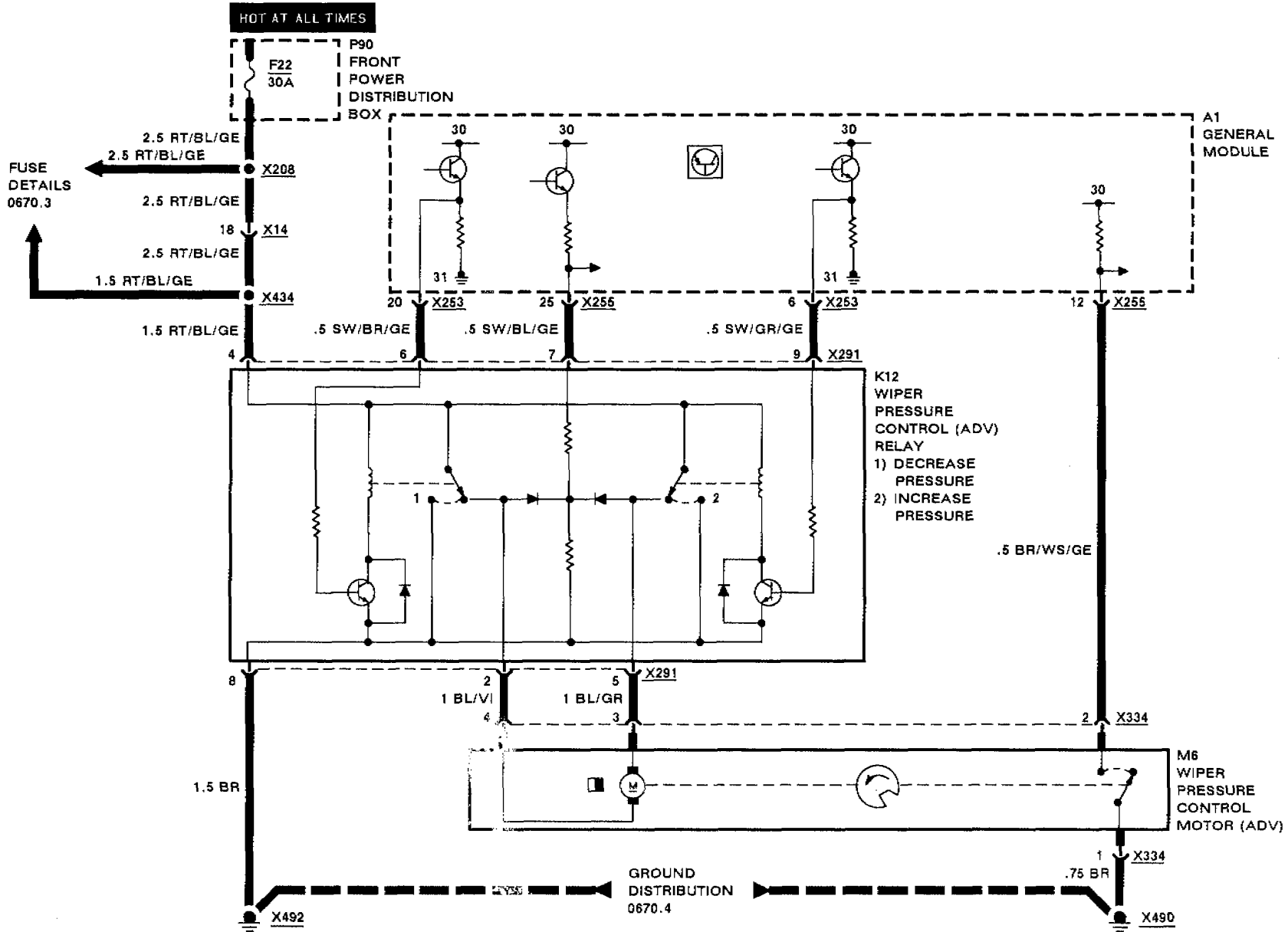




ZKE WINDSHIELD WIPER PRESSURE CONTROL (ADV)

535i

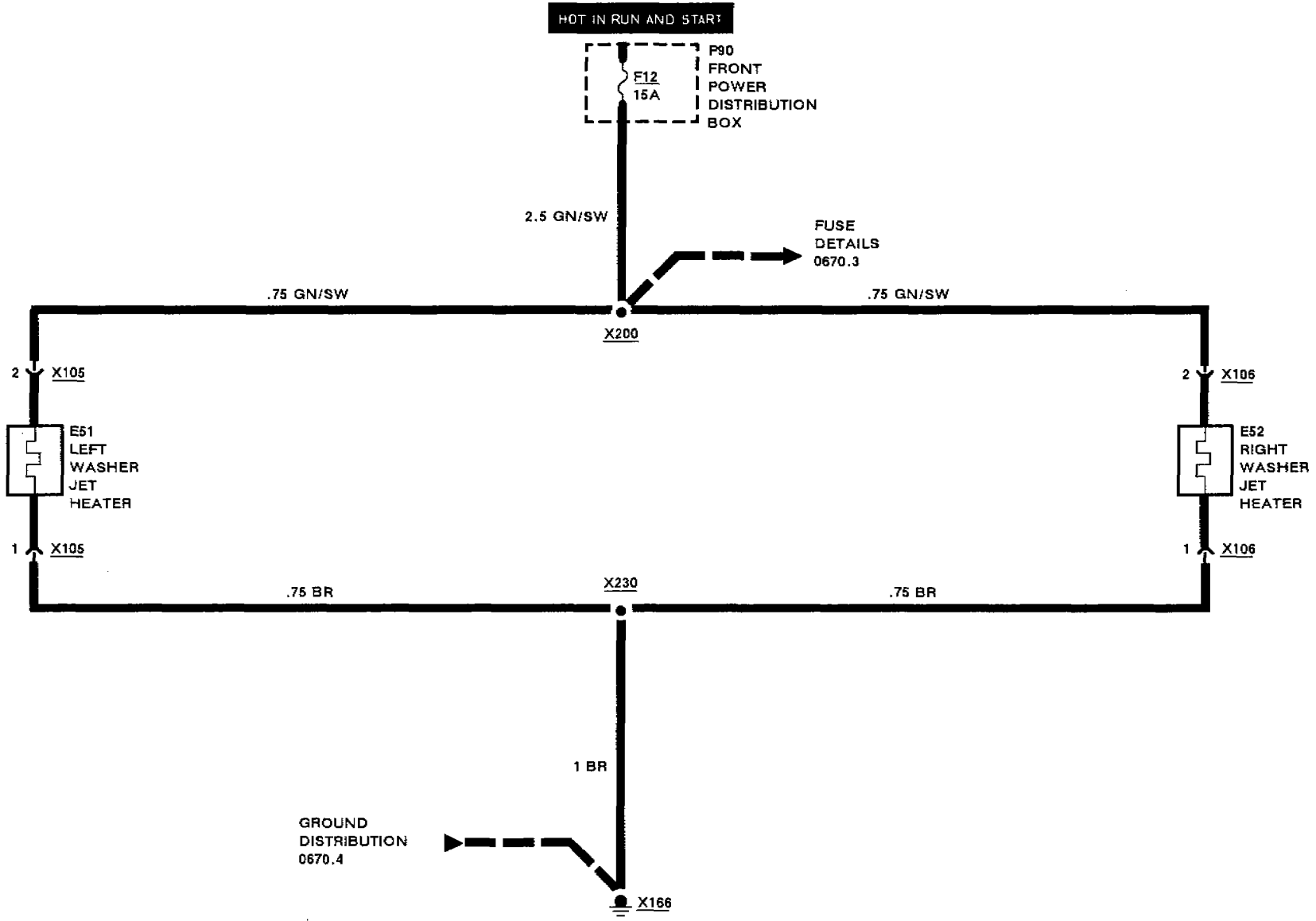
OUTPUT DETAILS





WINDSHIELD WASHER JET HEATERS

535i



2/89

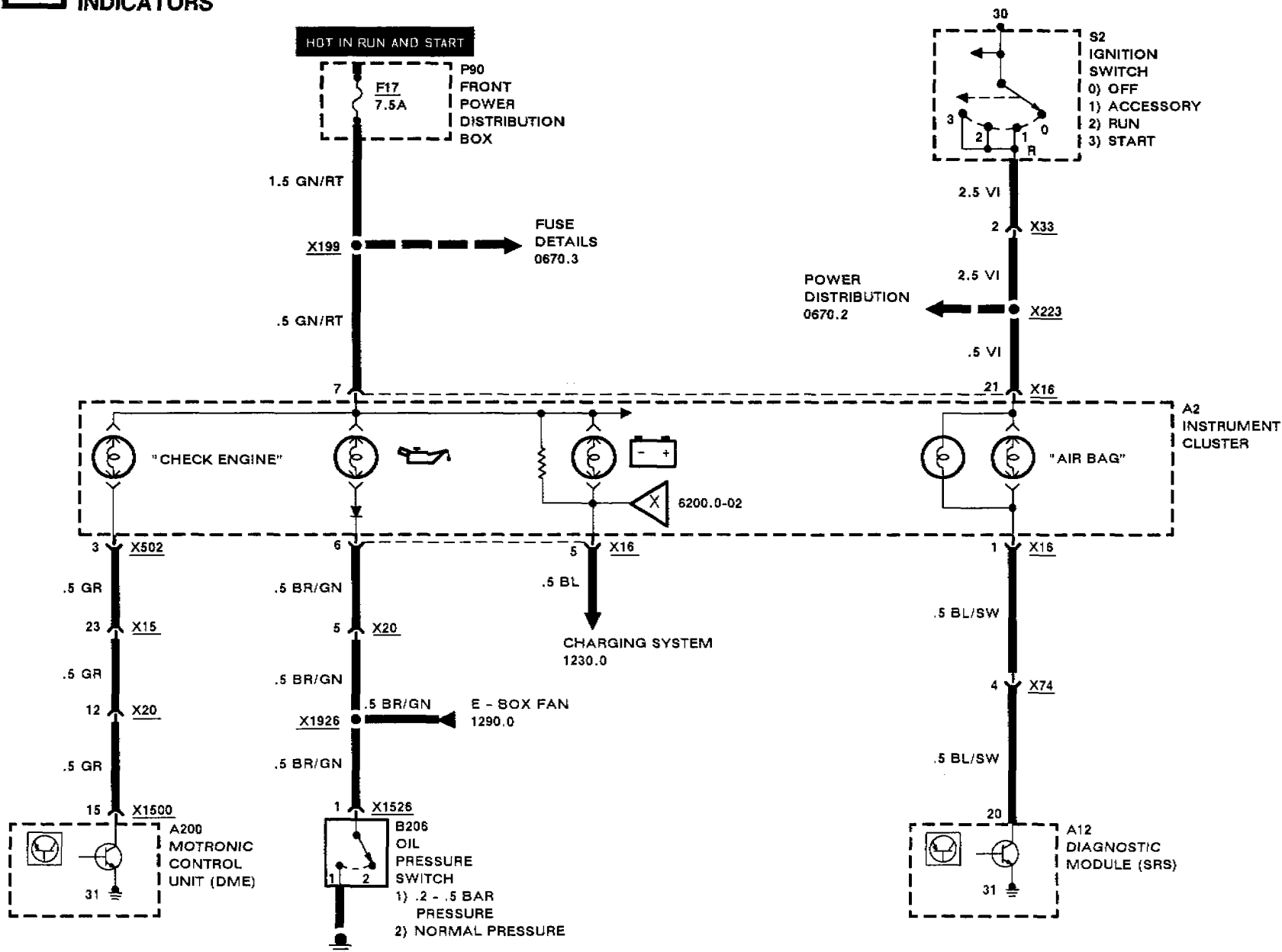
6169.0-00

1989



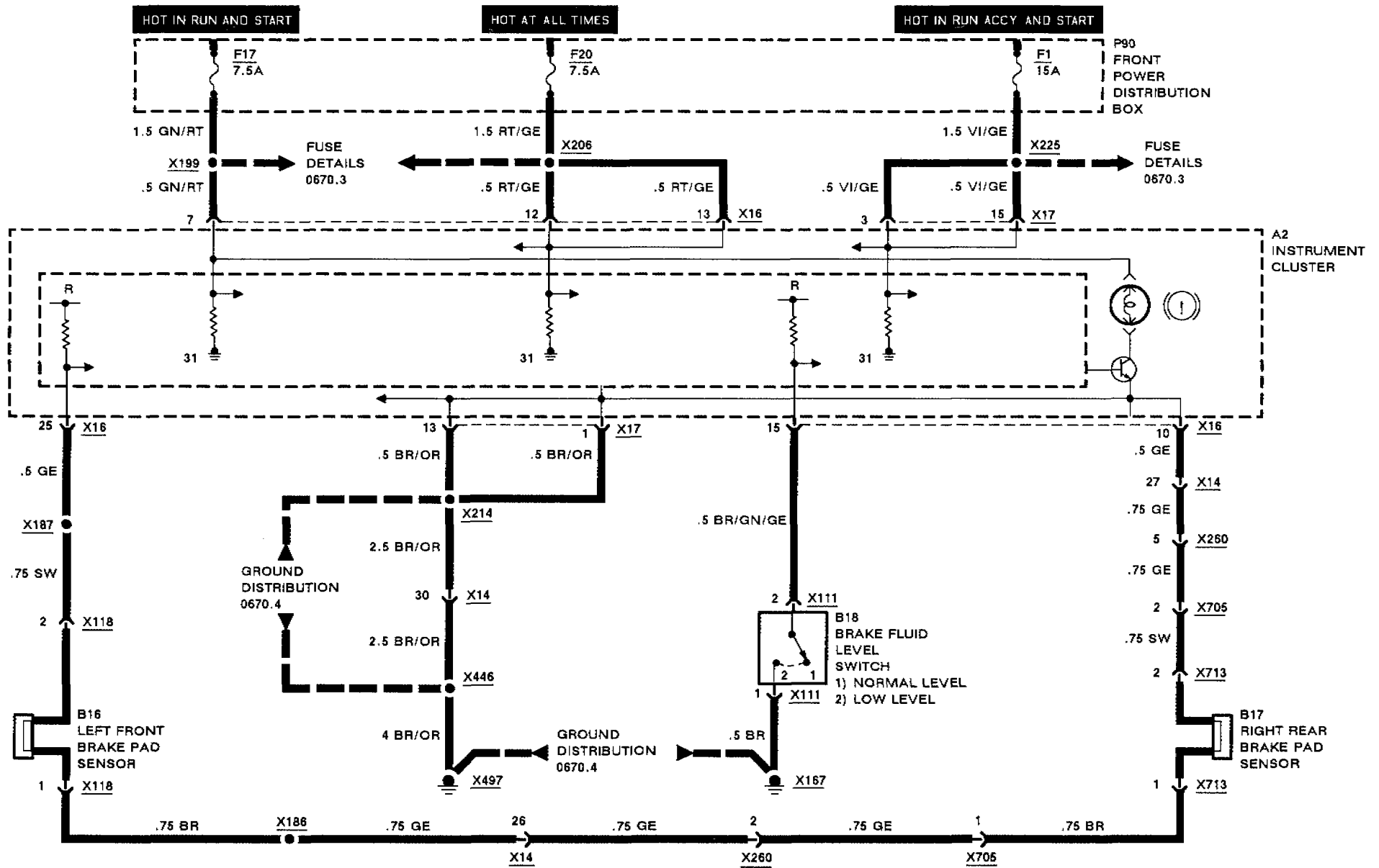
INSTRUMENT CLUSTER/ CHECK CONTROL (K/CC)

INDICATORS





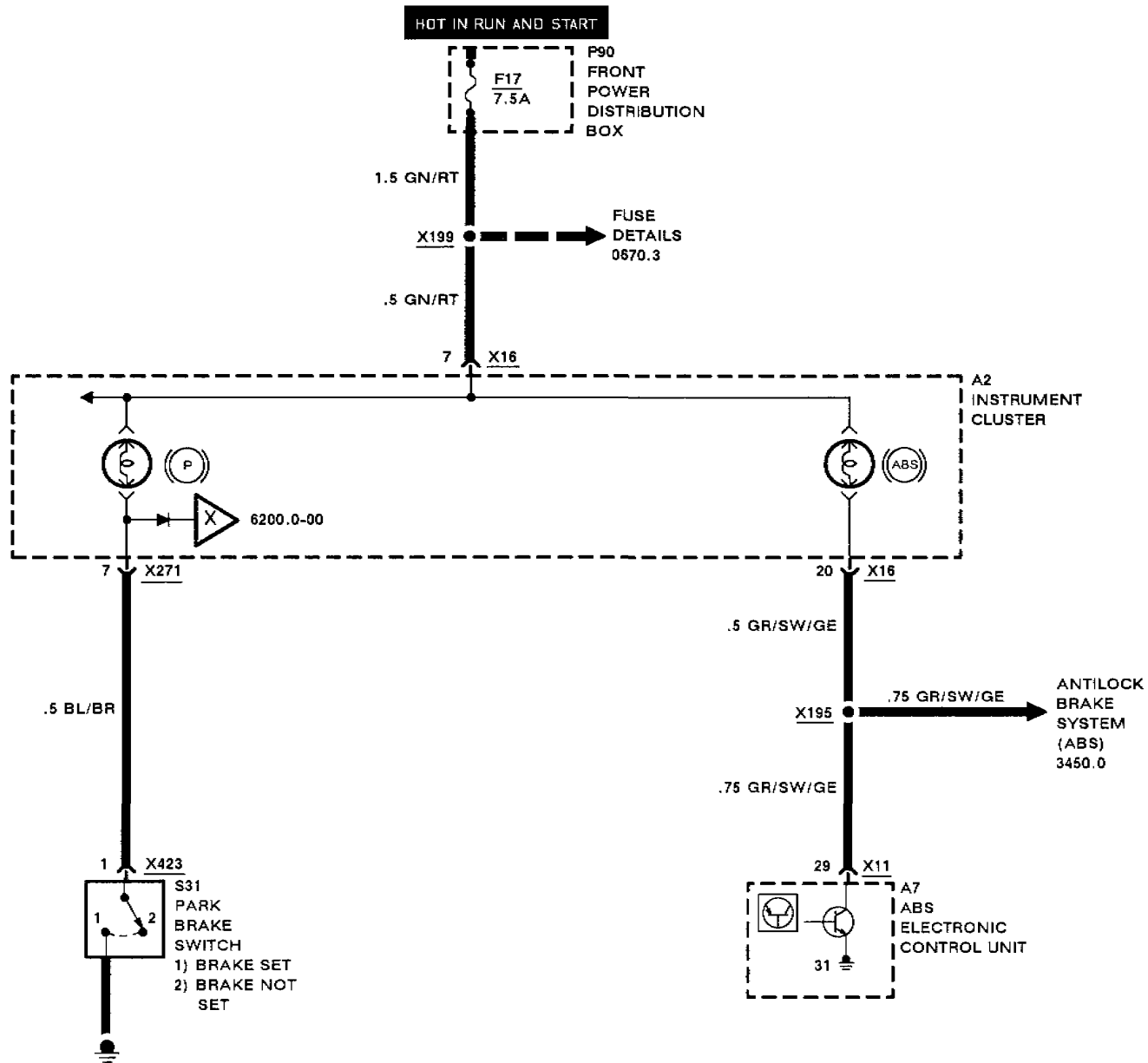
INSTRUMENT CLUSTER/ CHECK CONTROL (K/CC) INDICATORS





INSTRUMENT CLUSTER/ CHECK CONTROL (K/CC)

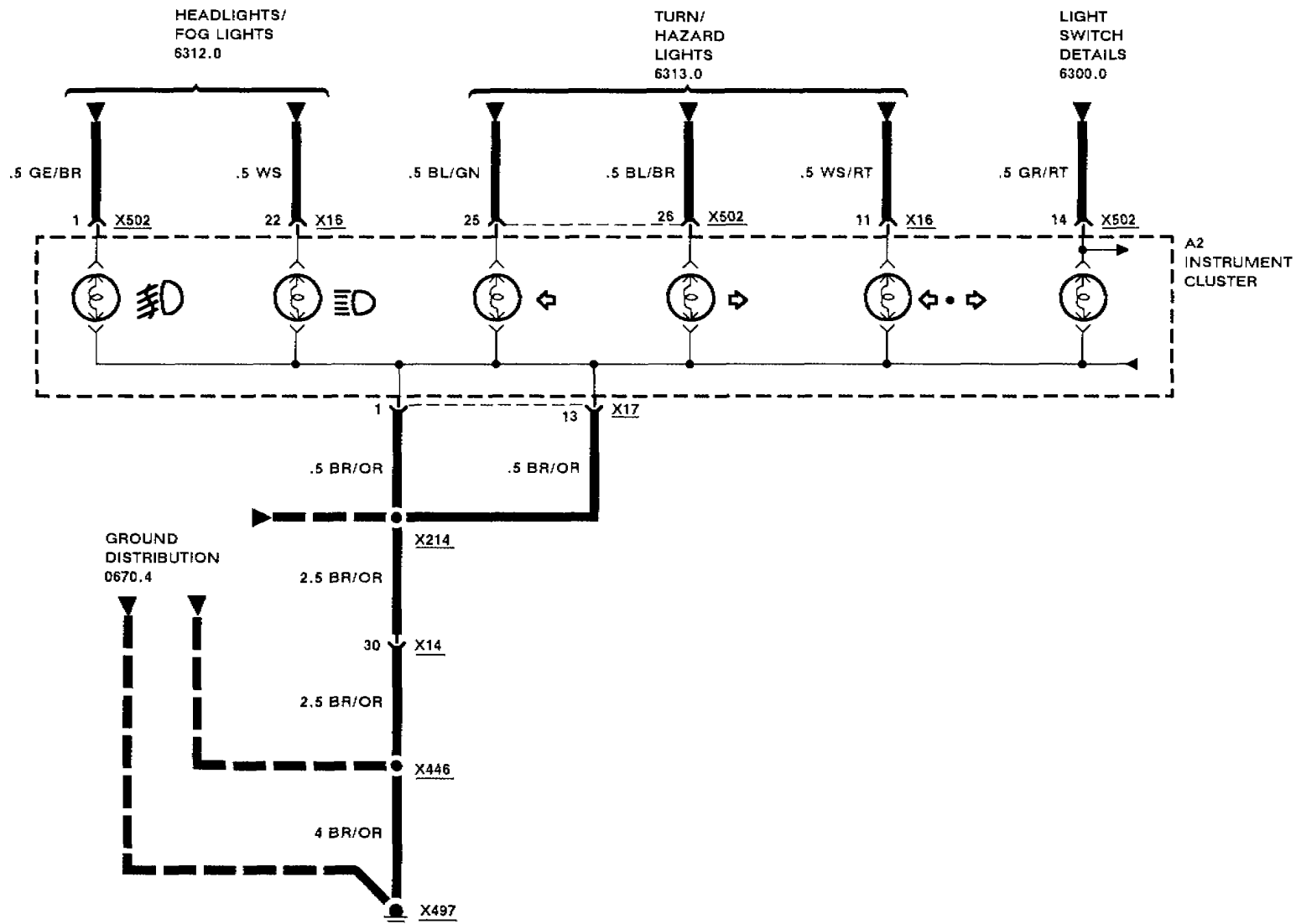
INDICATORS





INSTRUMENT CLUSTER/ CHECK CONTROL (K/CC)

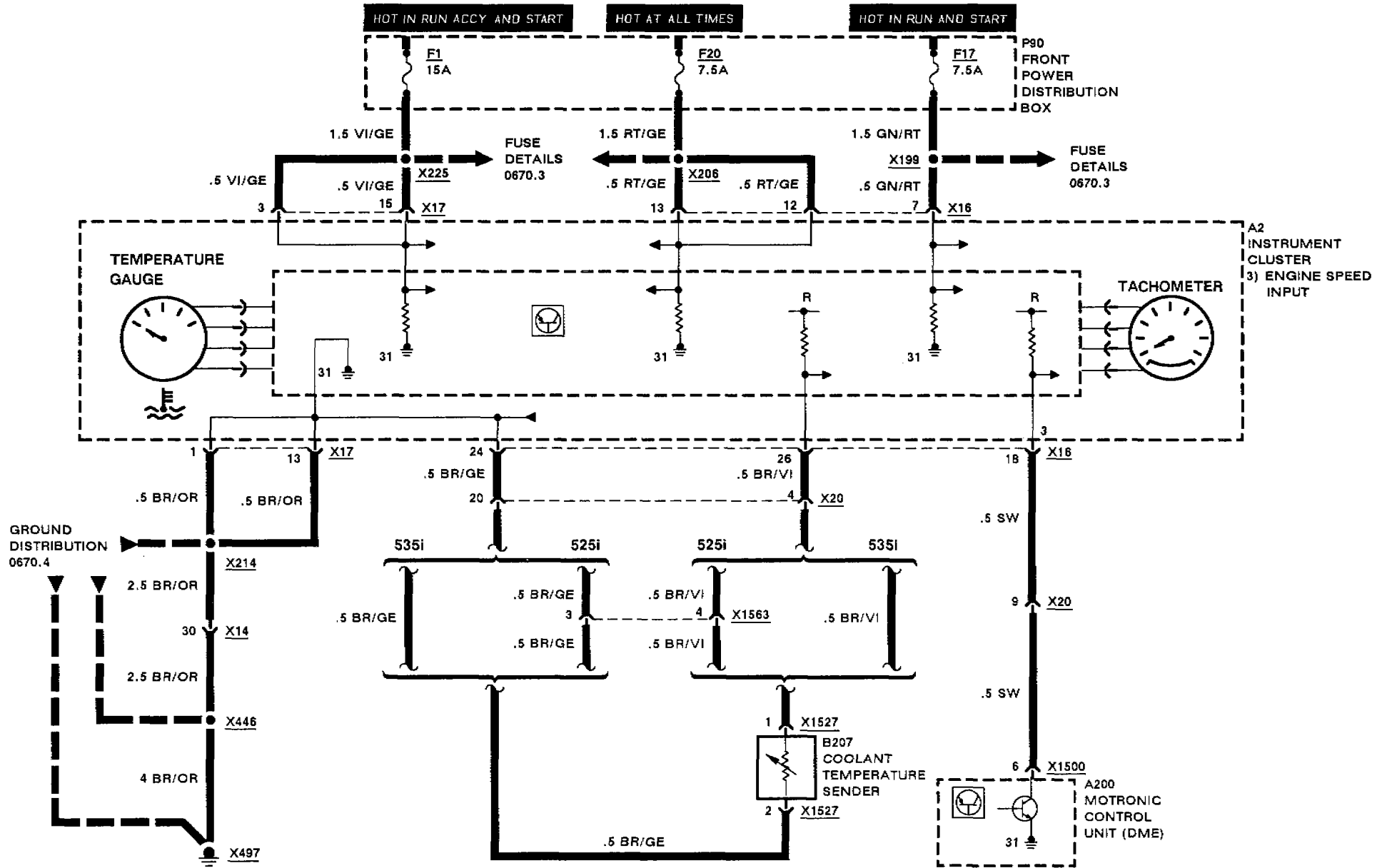
INDICATORS





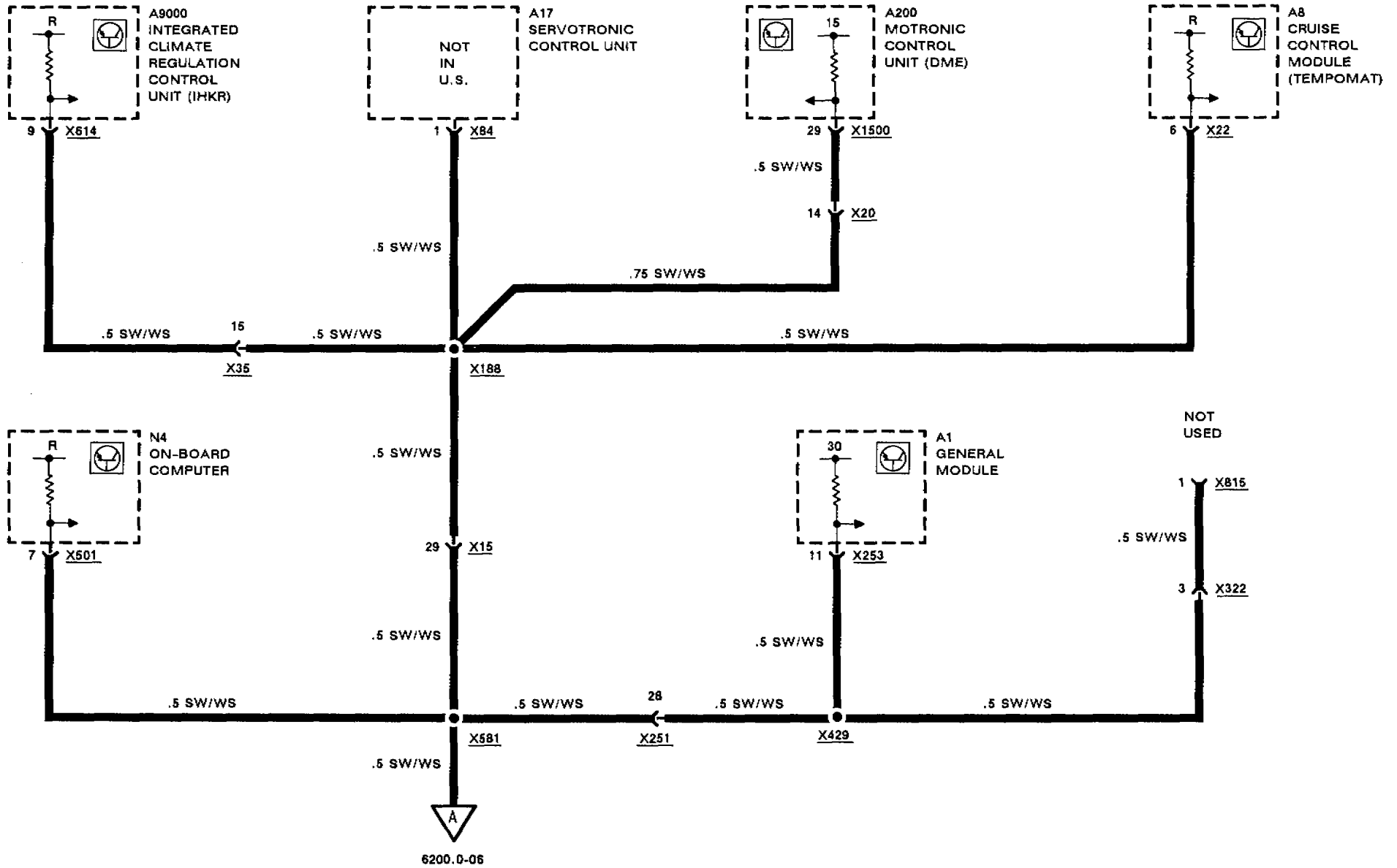
INSTRUMENT CLUSTER/ CHECK CONTROL (K/CC)

GAUGES





INSTRUMENT CLUSTER/ CHECK CONTROL (K/CC)

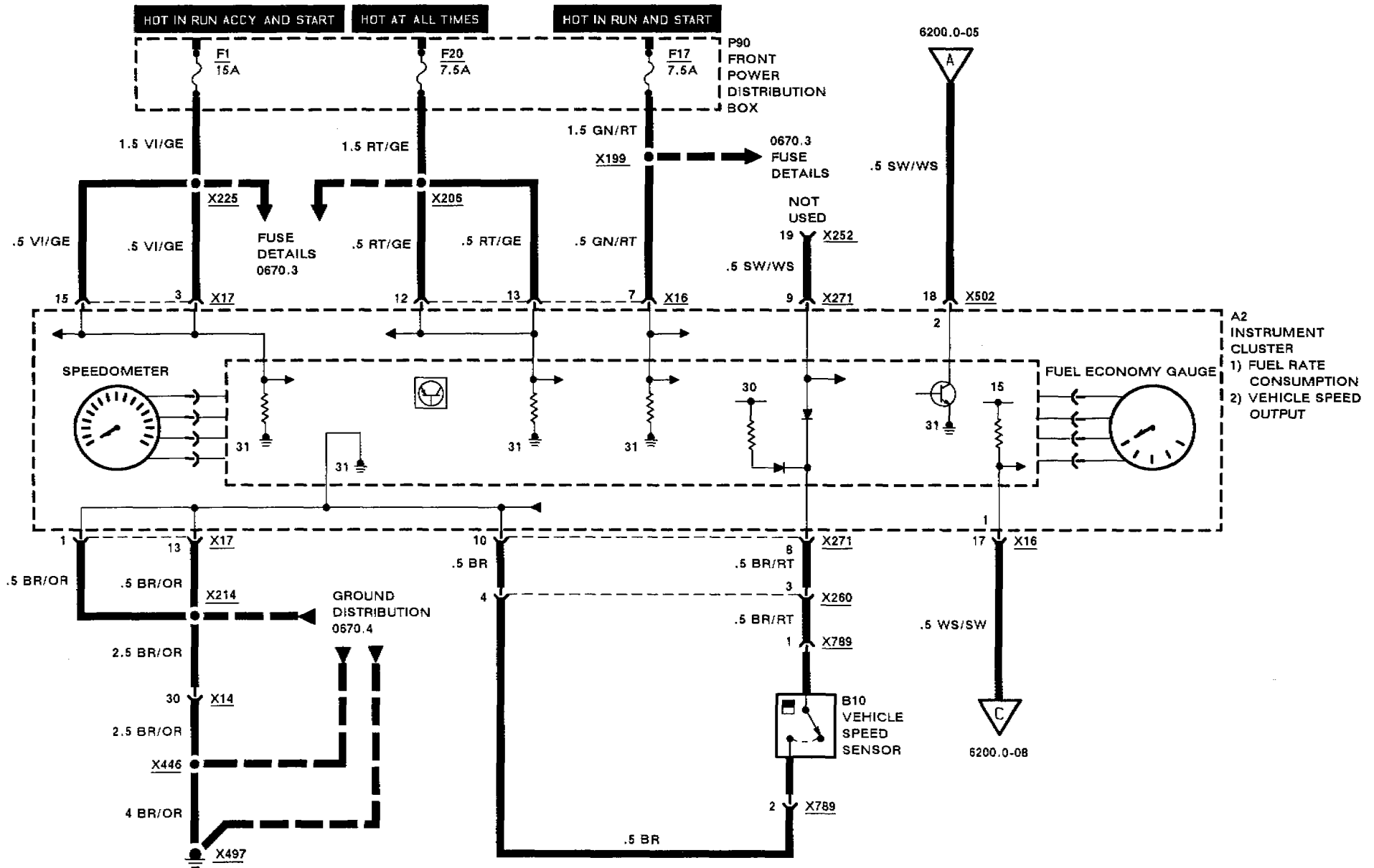


6200.0-06



INSTRUMENT CLUSTER/ CHECK CONTROL (K/CC)

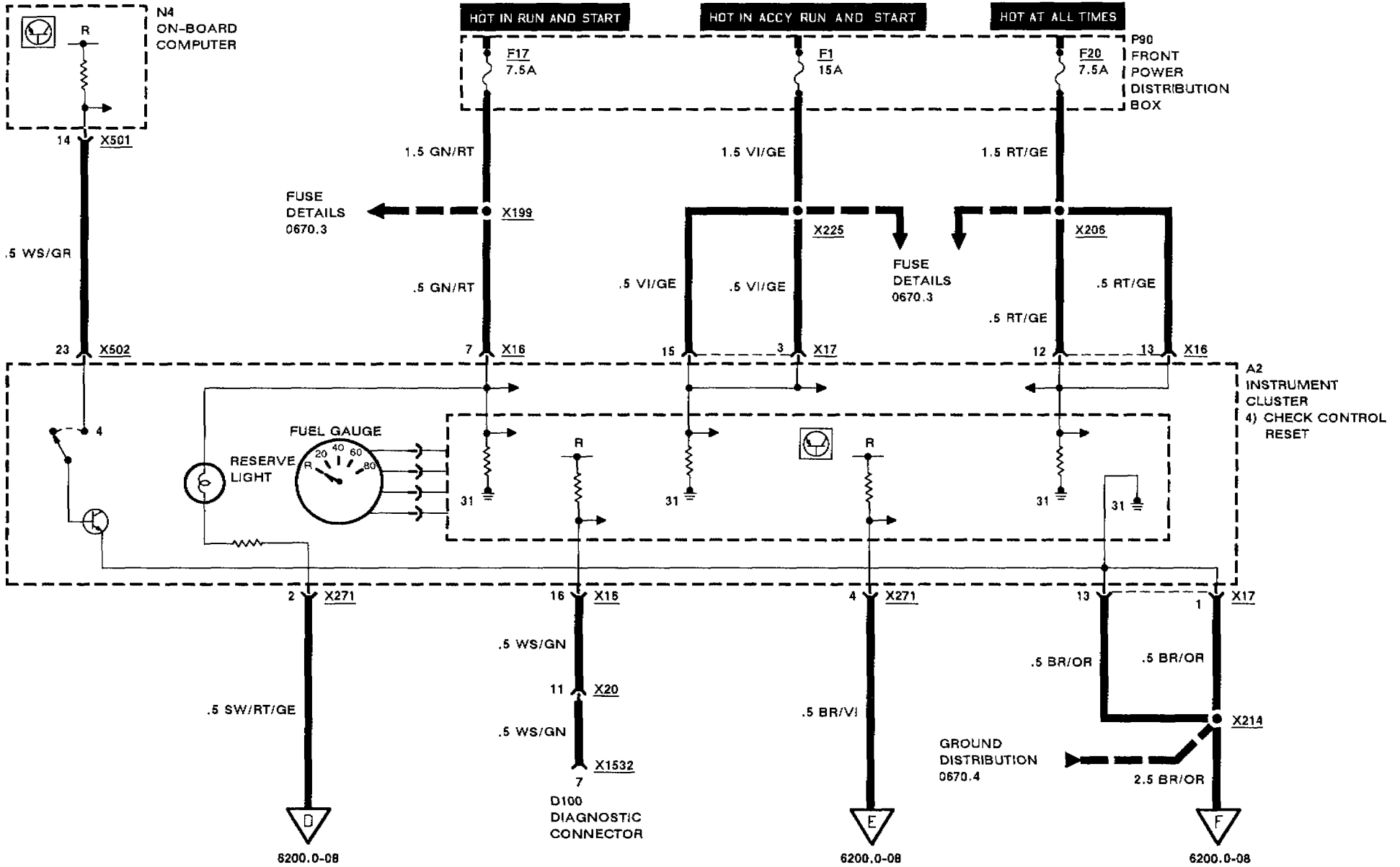
GAUGES





INSTRUMENT CLUSTER/ CHECK CONTROL (K/CC)

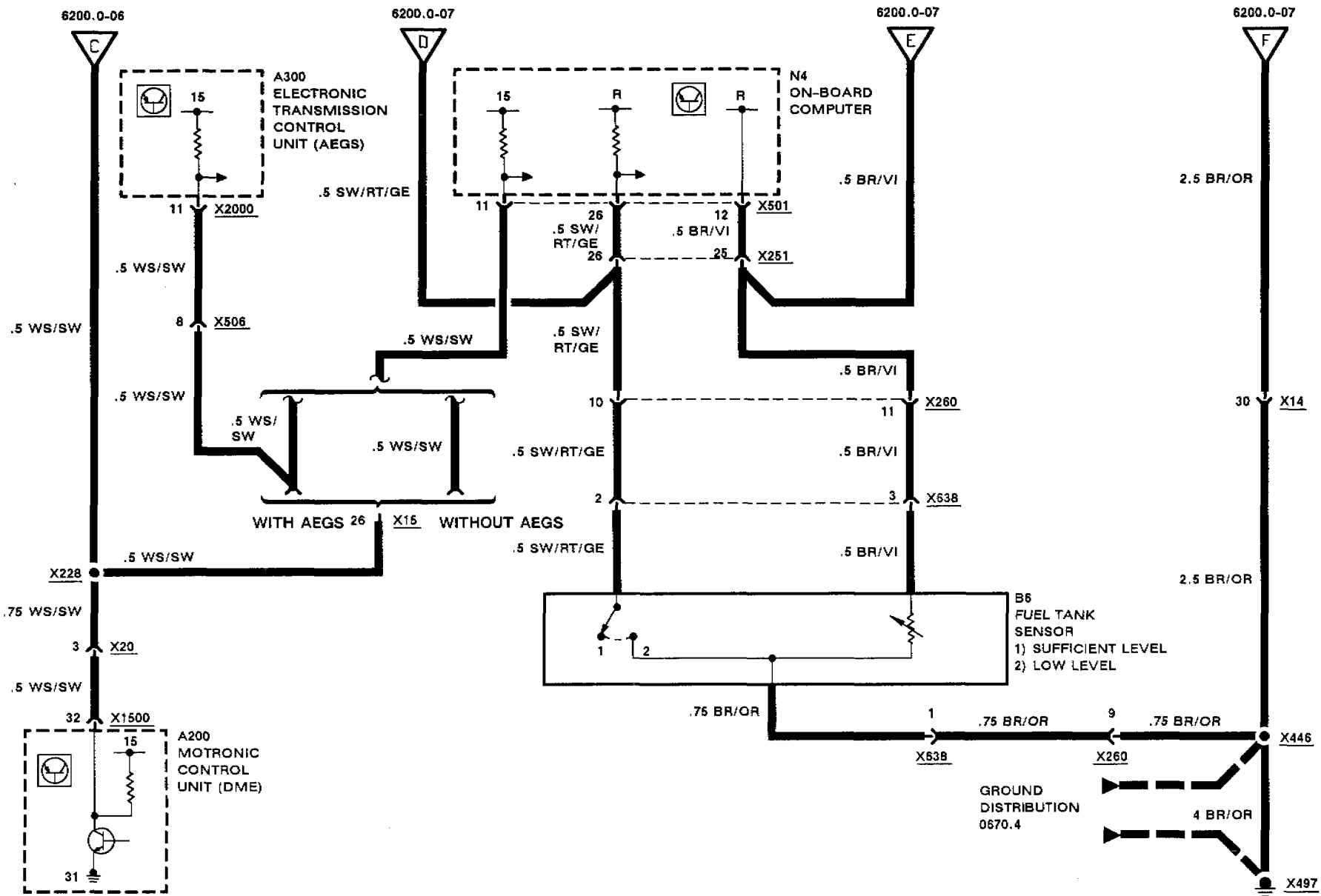
GAUGES





INSTRUMENT CLUSTER/ CHECK CONTROL (K/CC)

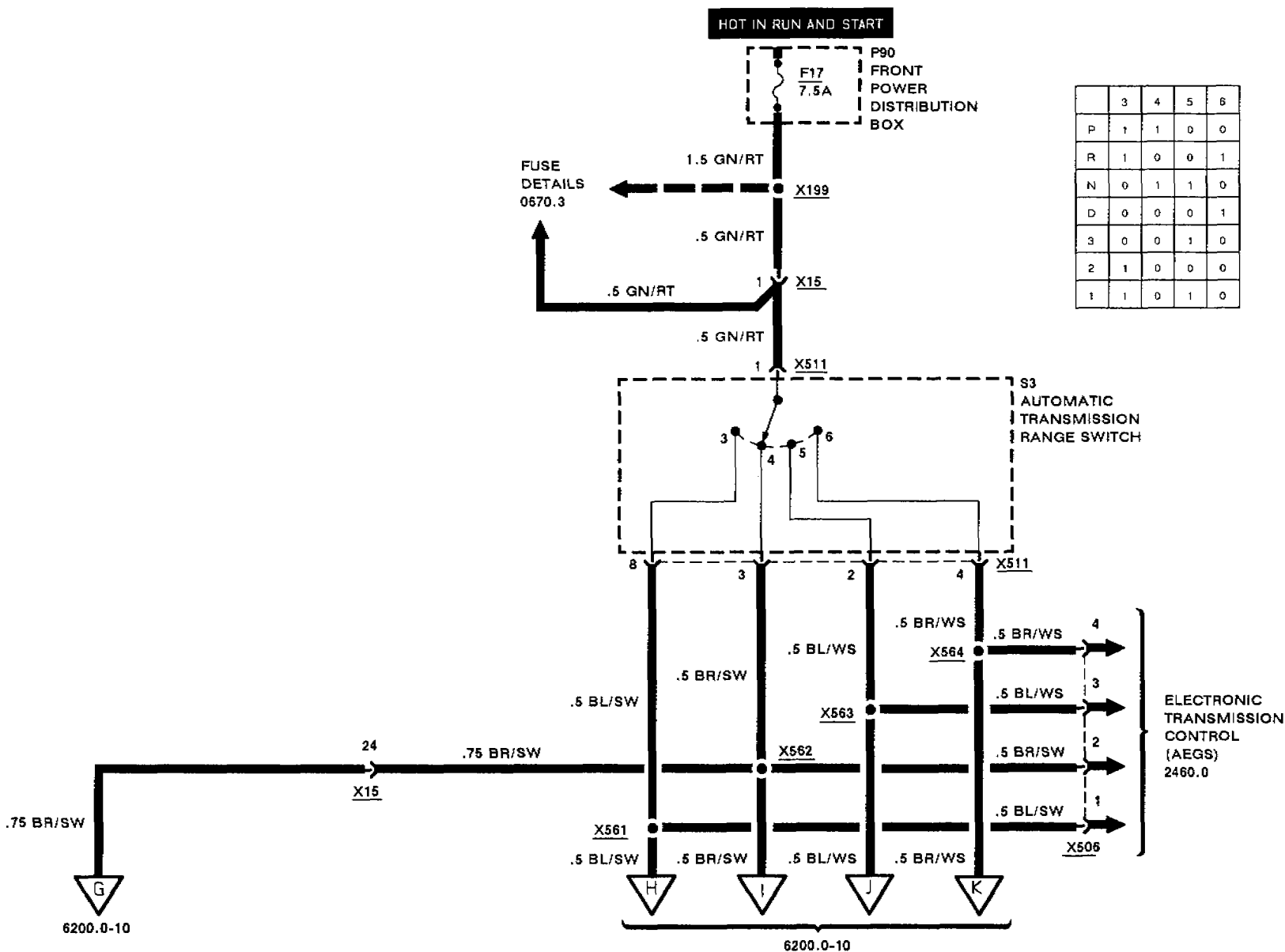
GAUGES





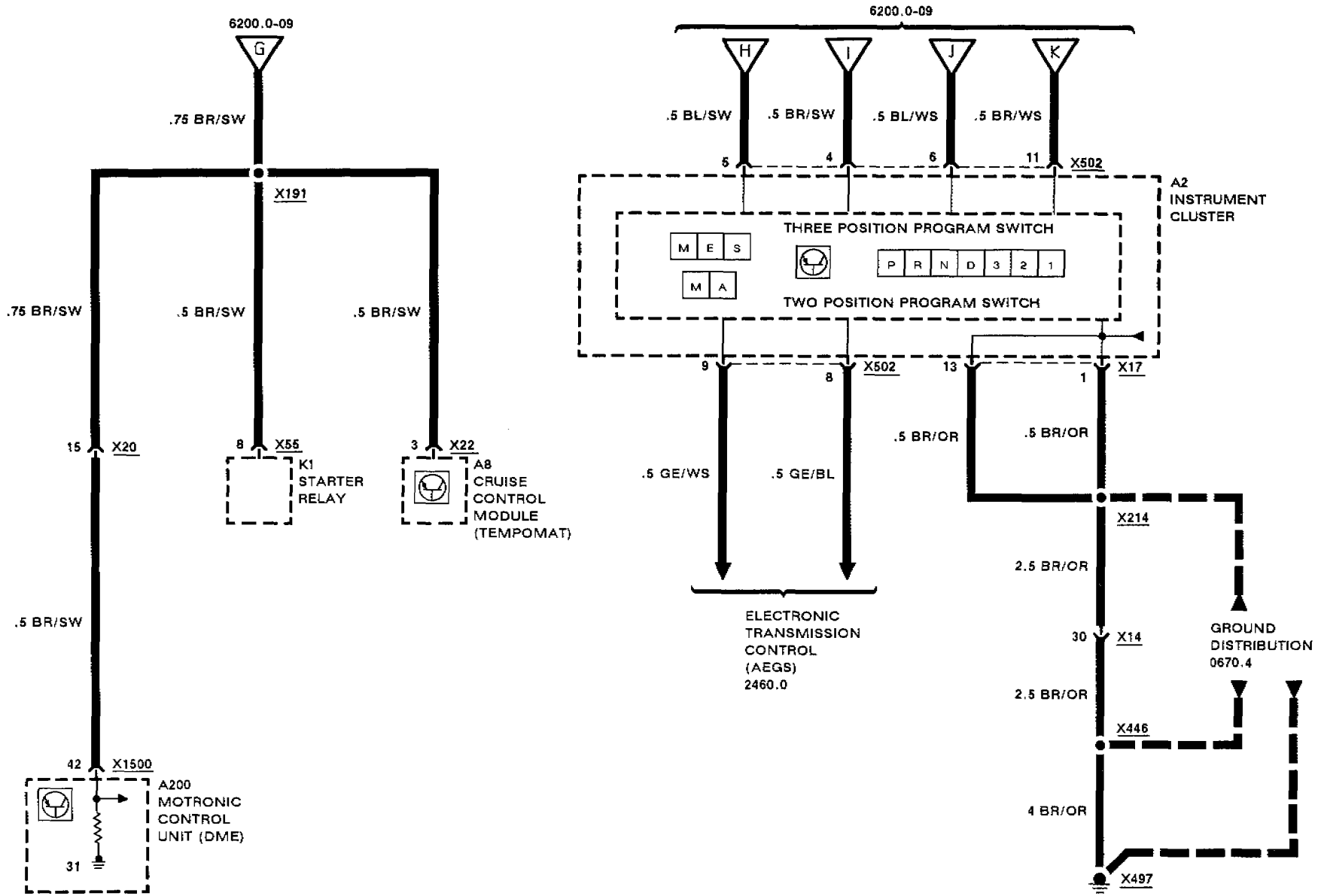
INSTRUMENT CLUSTER/ CHECK CONTROL (K/CC)

GEAR SELECTOR





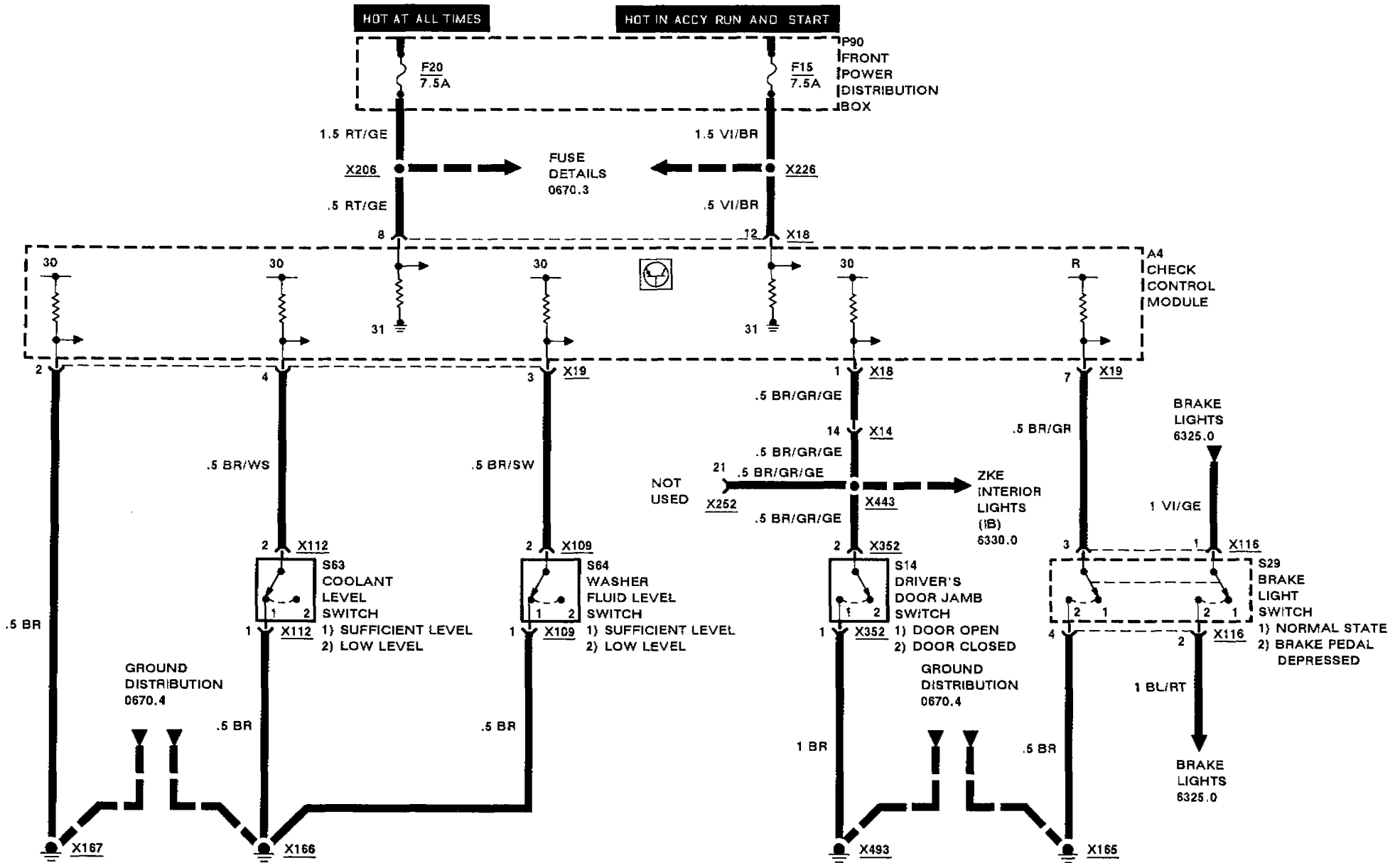
INSTRUMENT CLUSTER/ CHECK CONTROL (K/CC)





INSTRUMENT CLUSTER/ CHECK CONTROL (K/CC)

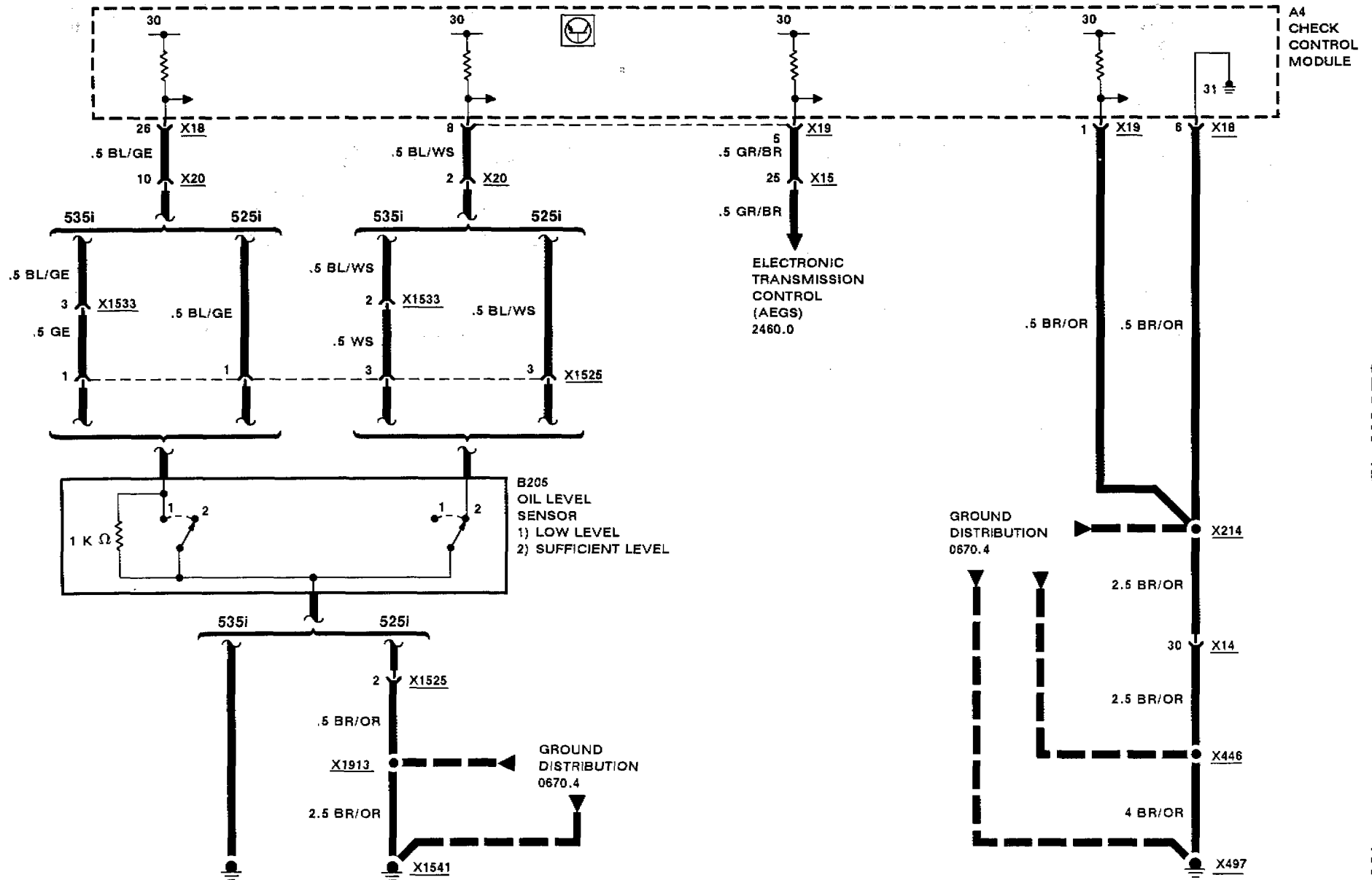
CHECK CONTROL





INSTRUMENT CLUSTER/ CHECK CONTROL (K/CC)

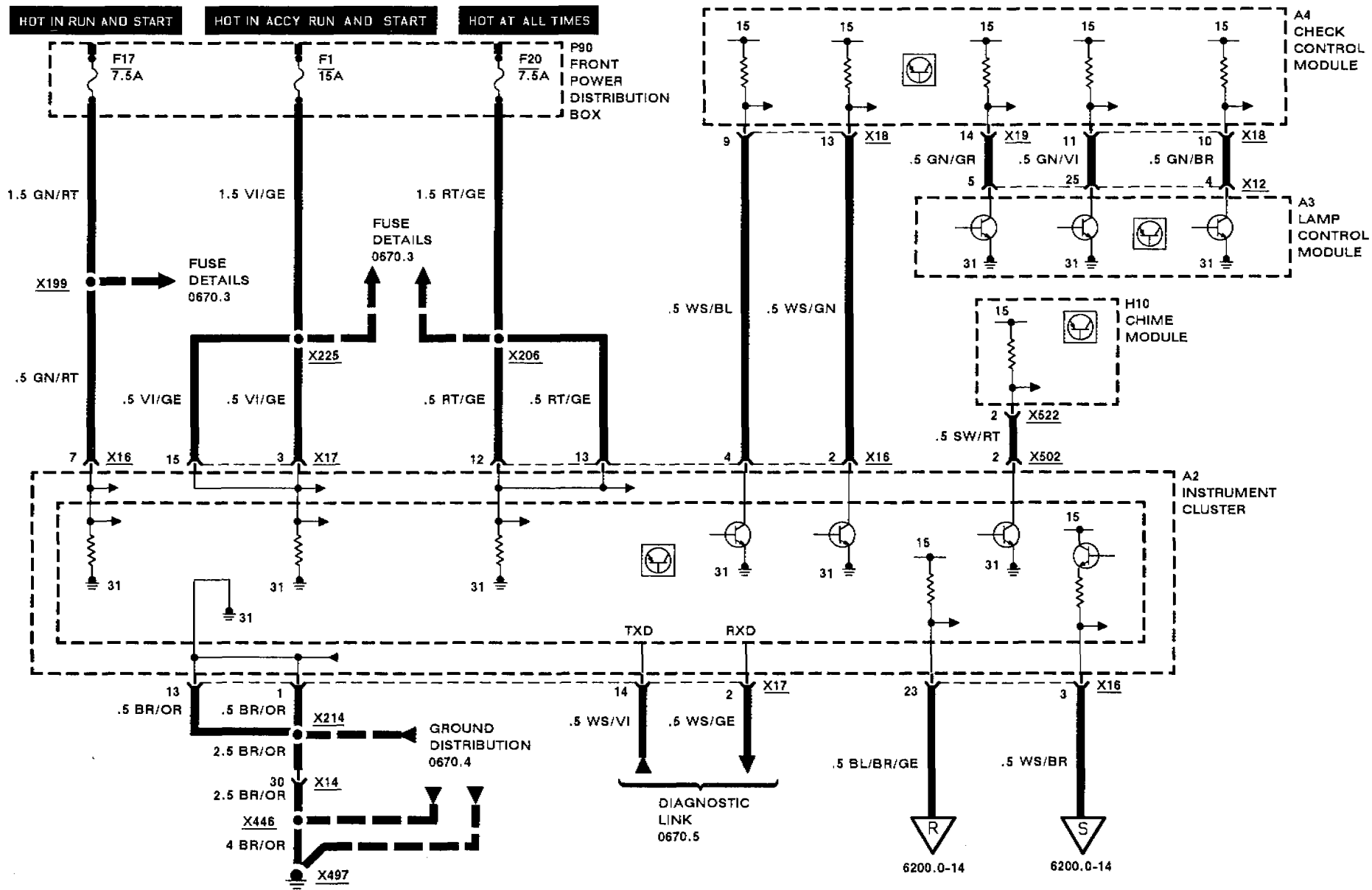
CHECK CONTROL





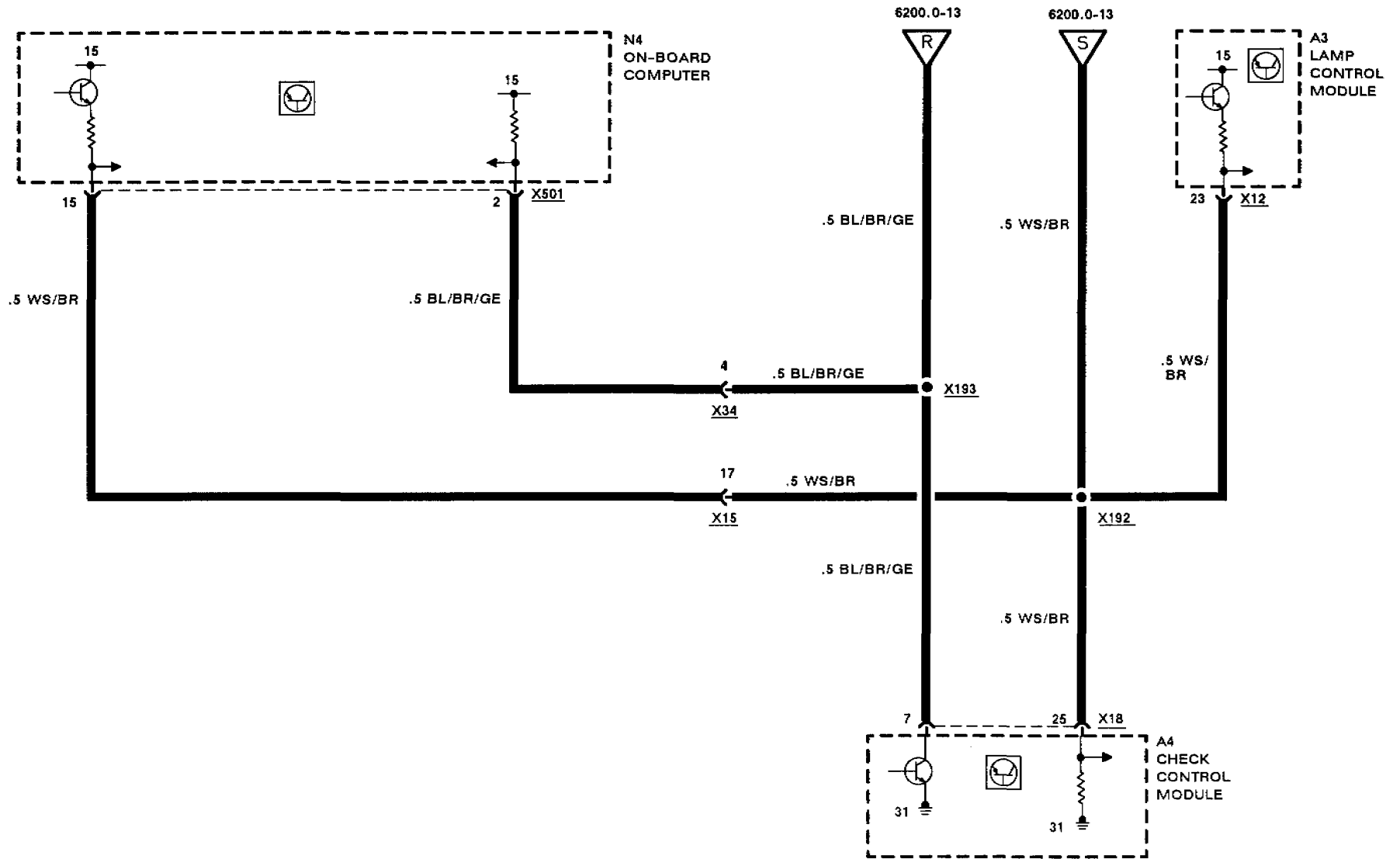
INSTRUMENT CLUSTER/ CHECK CONTROL (K/CC)

DATA LINK





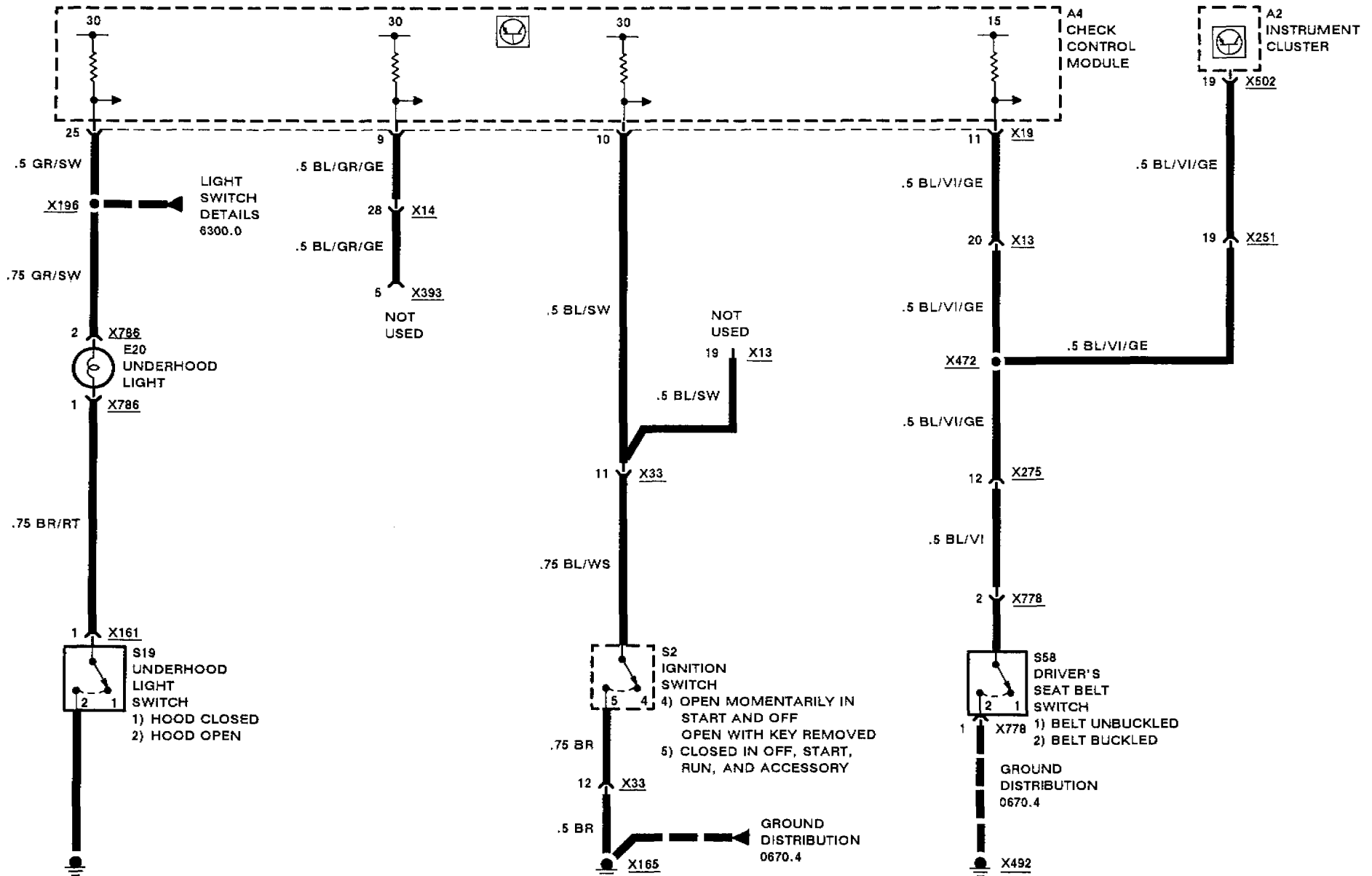
INSTRUMENT CLUSTER/ CHECK CONTROL (K/CC) DATA LINK





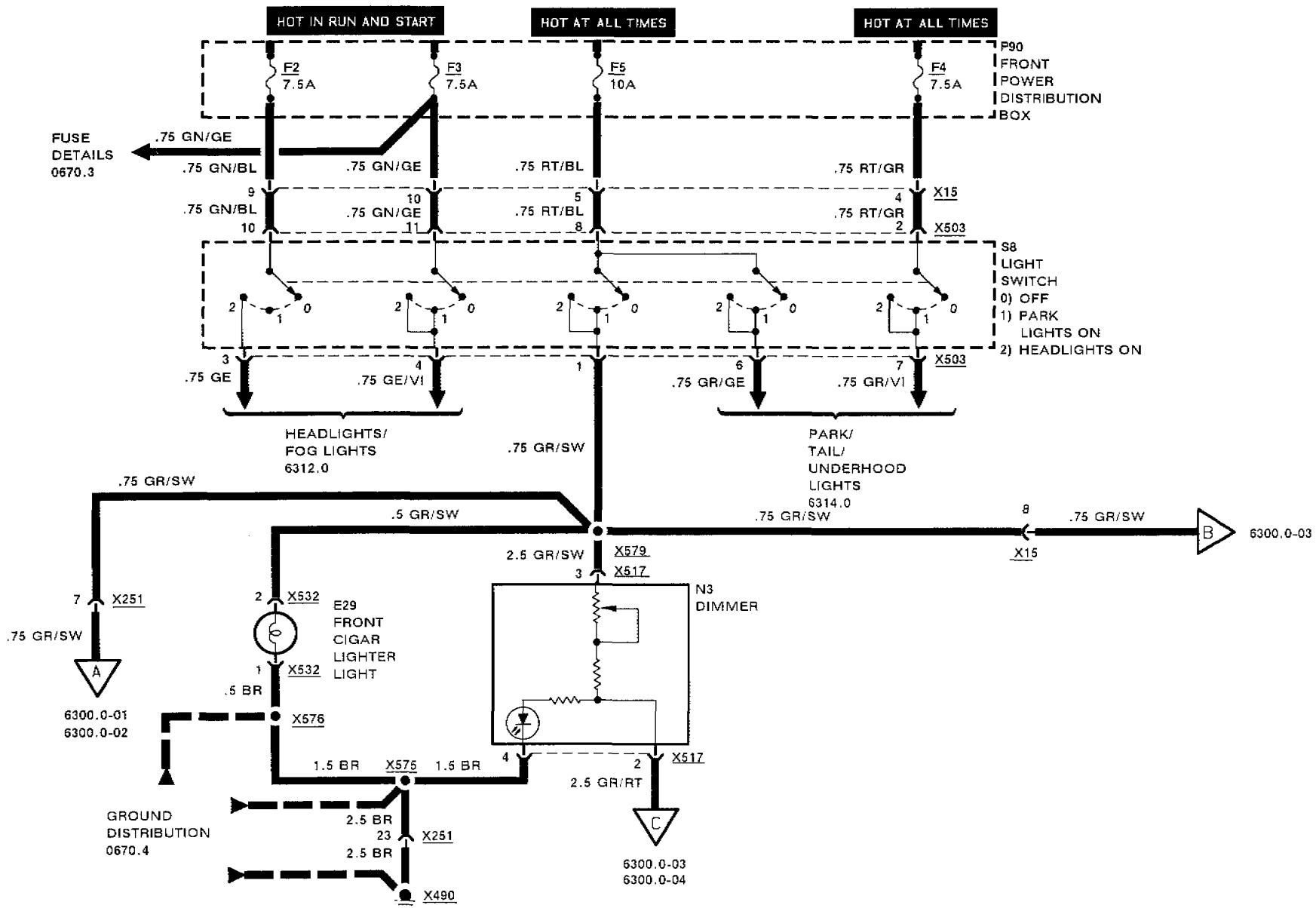
INSTRUMENT CLUSTER/ CHECK CONTROL (K/CC)

CHECK CONTROL



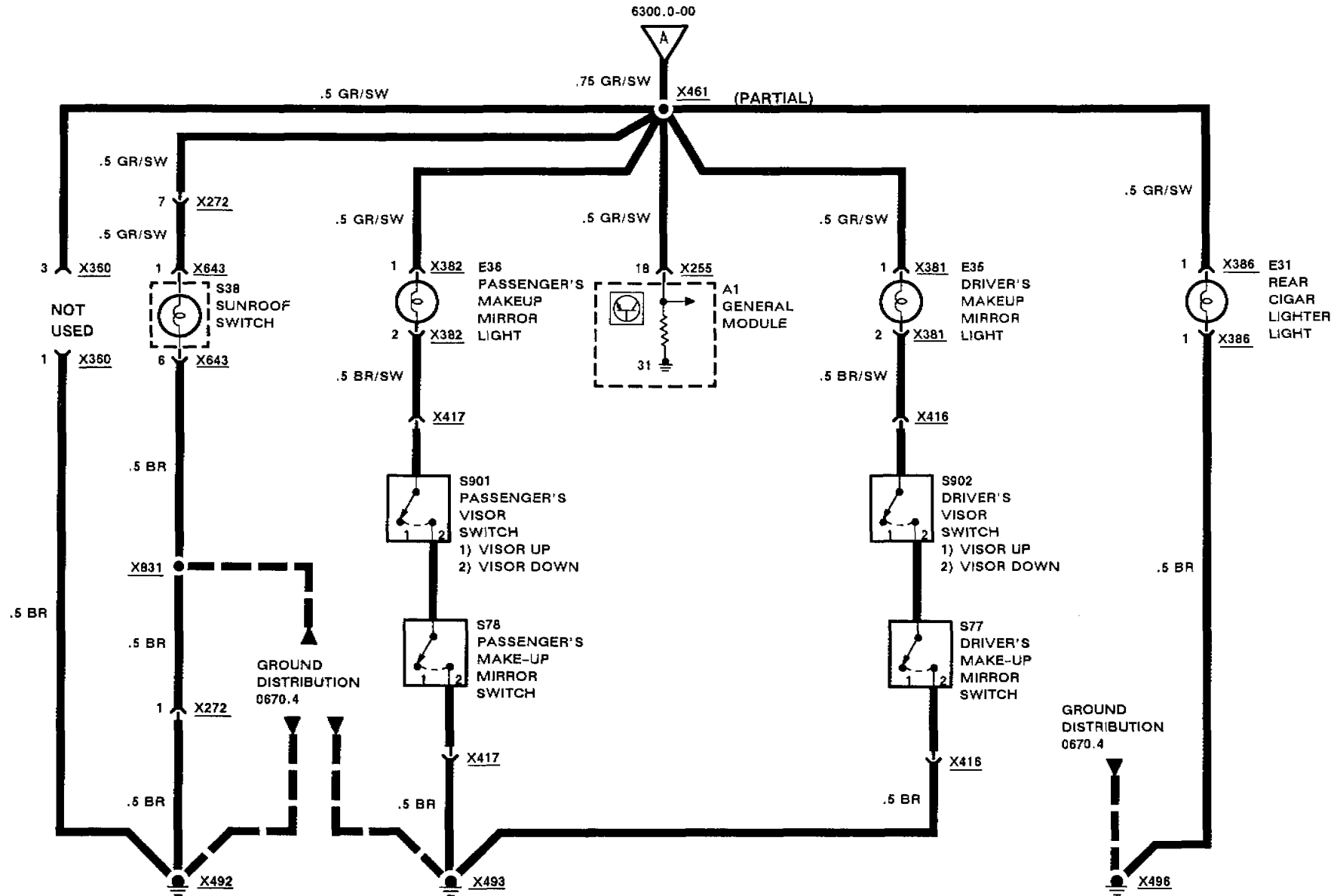


LIGHT SWITCH DETAILS



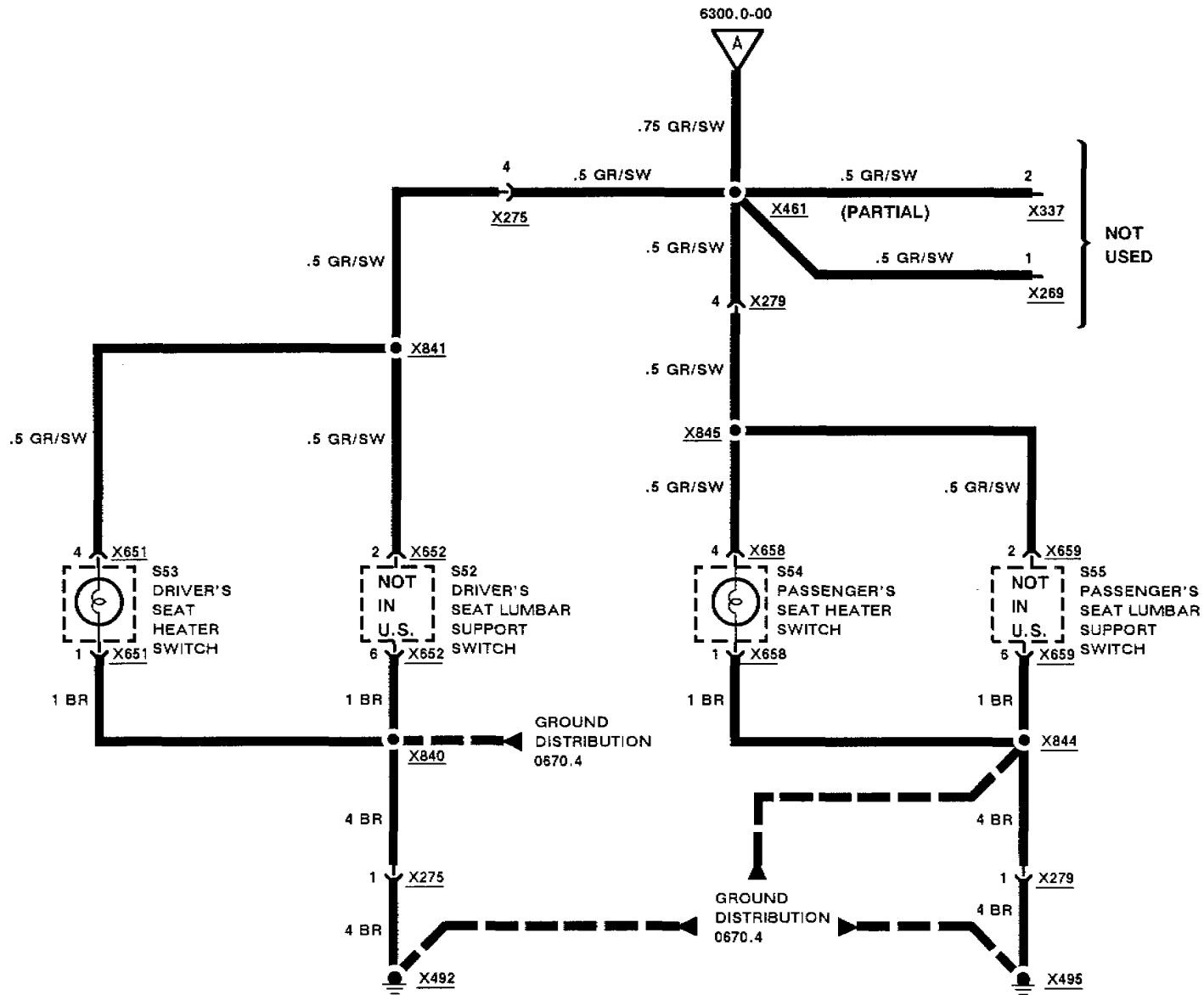


LIGHT SWITCH DETAILS



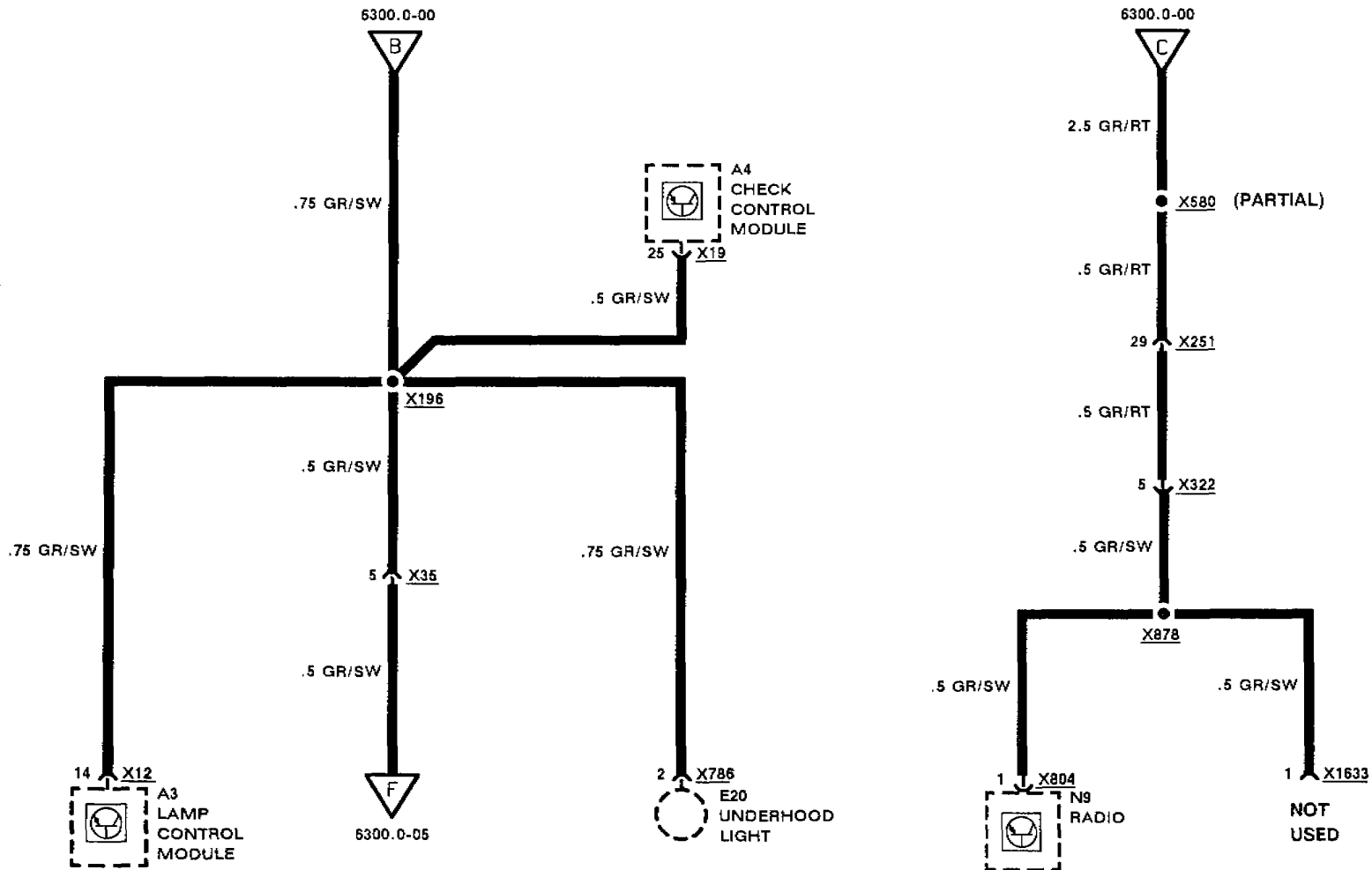


LIGHT SWITCH DETAILS



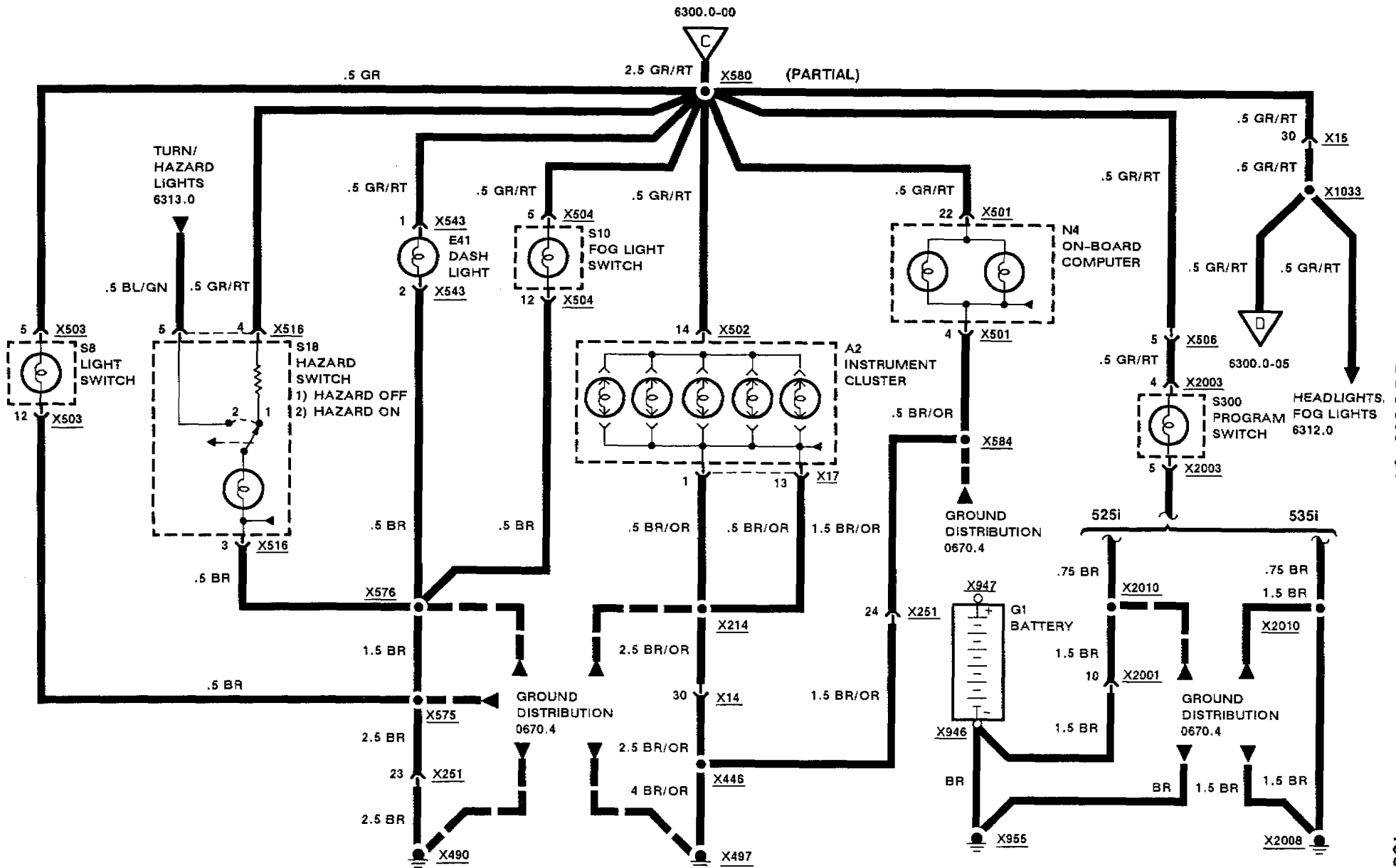


LIGHT SWITCH DETAILS





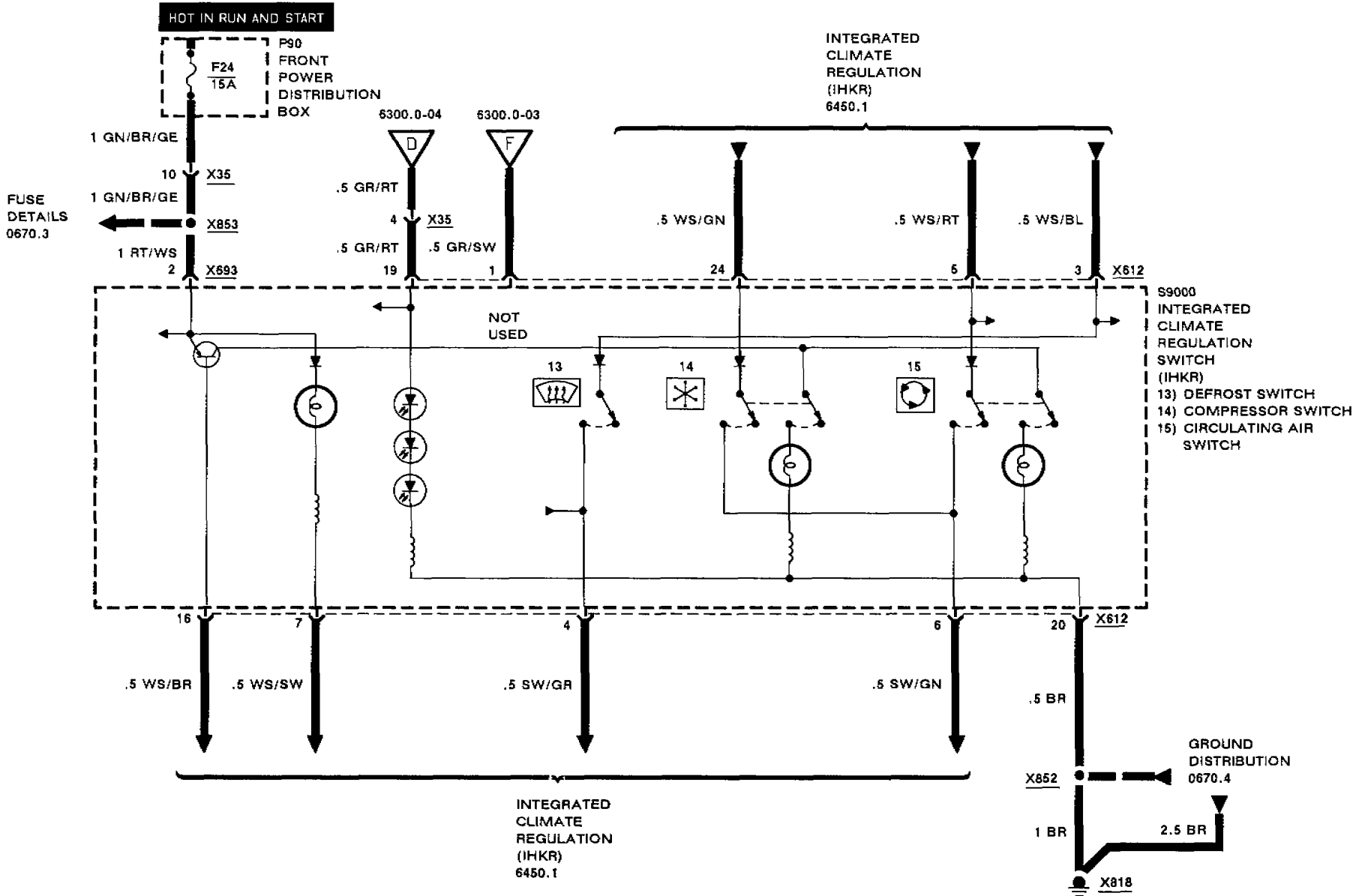
LIGHT SWITCH DETAILS





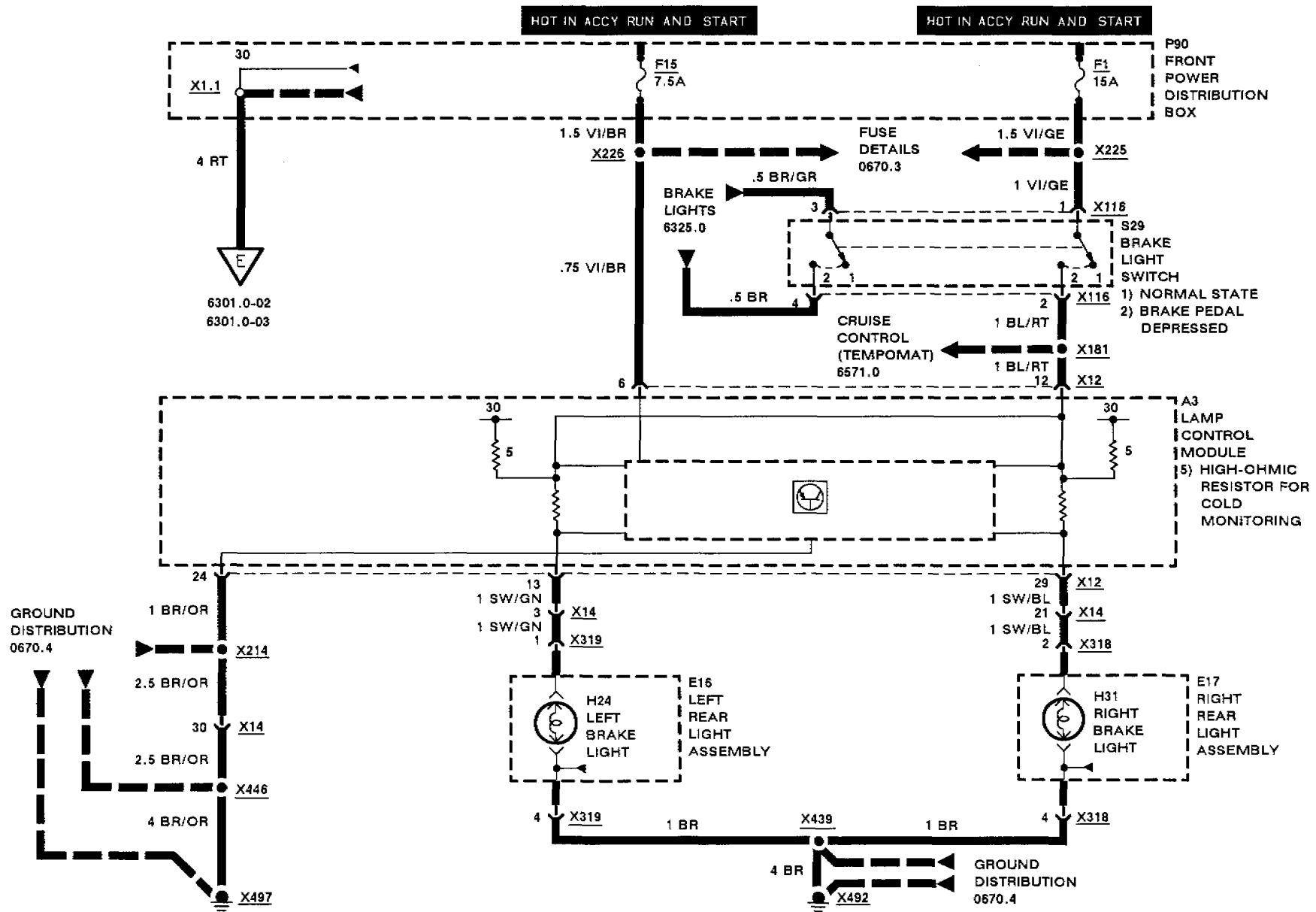
LIGHT SWITCH DETAILS

IHKR



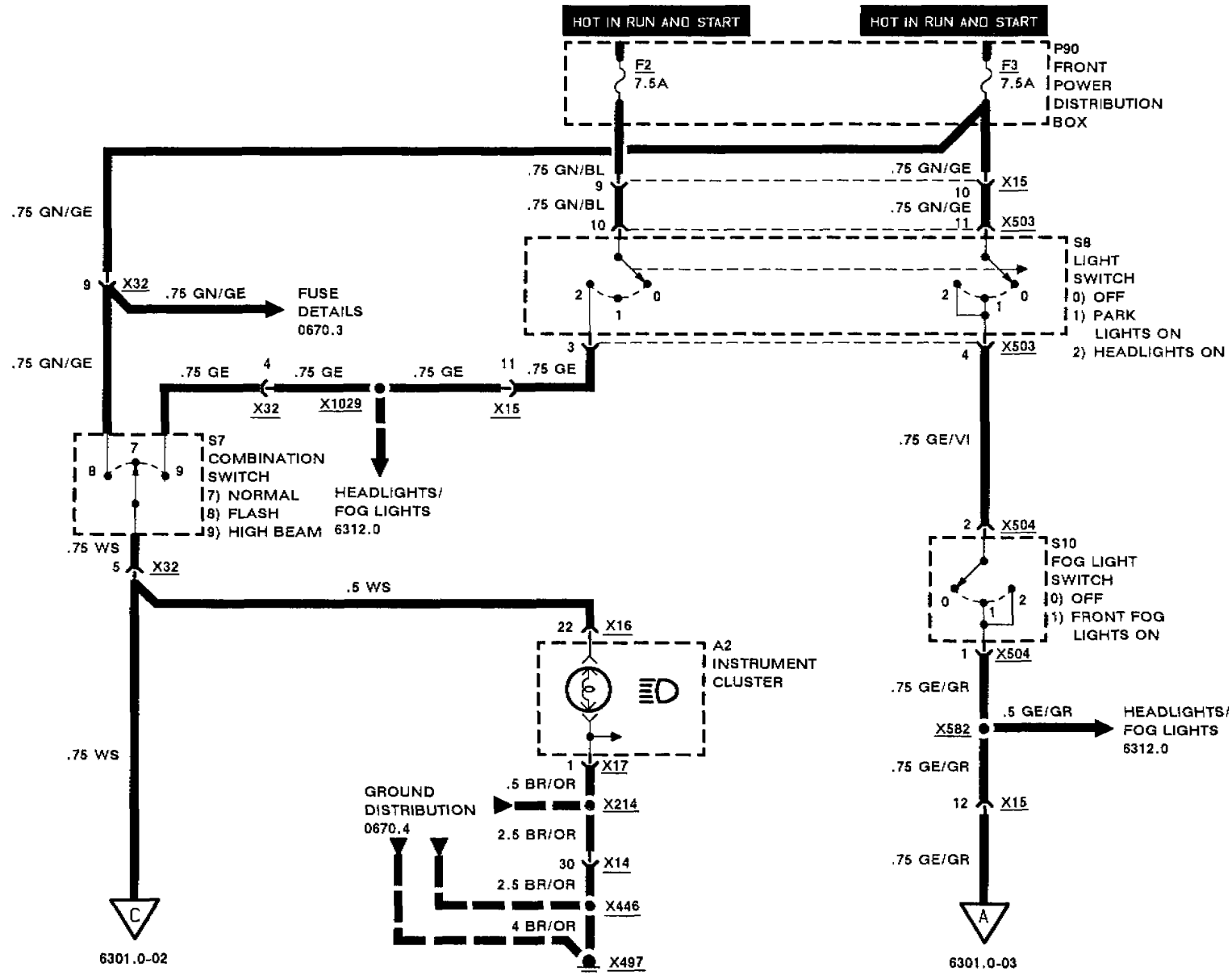


LAMP MONITOR (LKM)



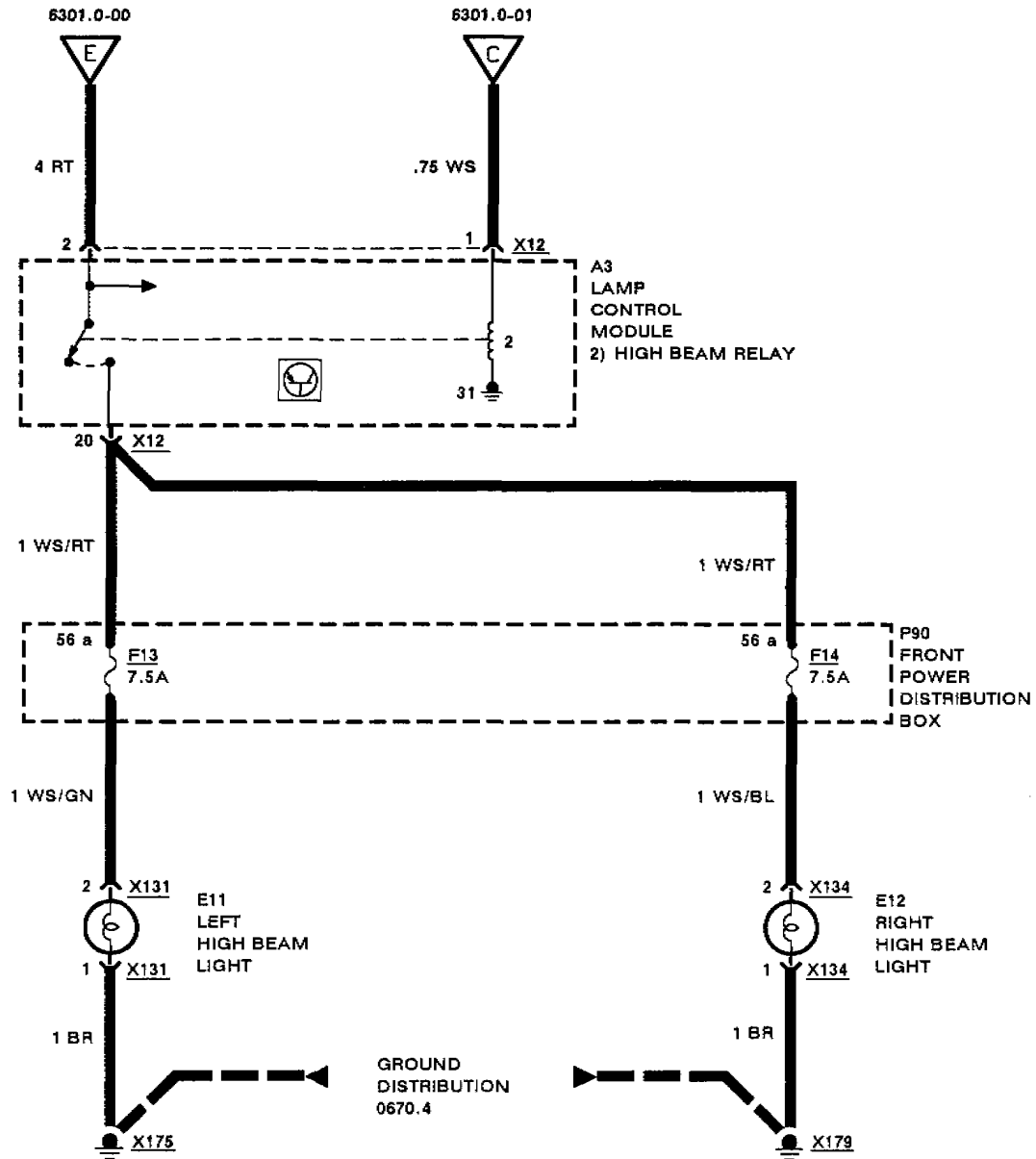


LAMP MONITOR (LKM)

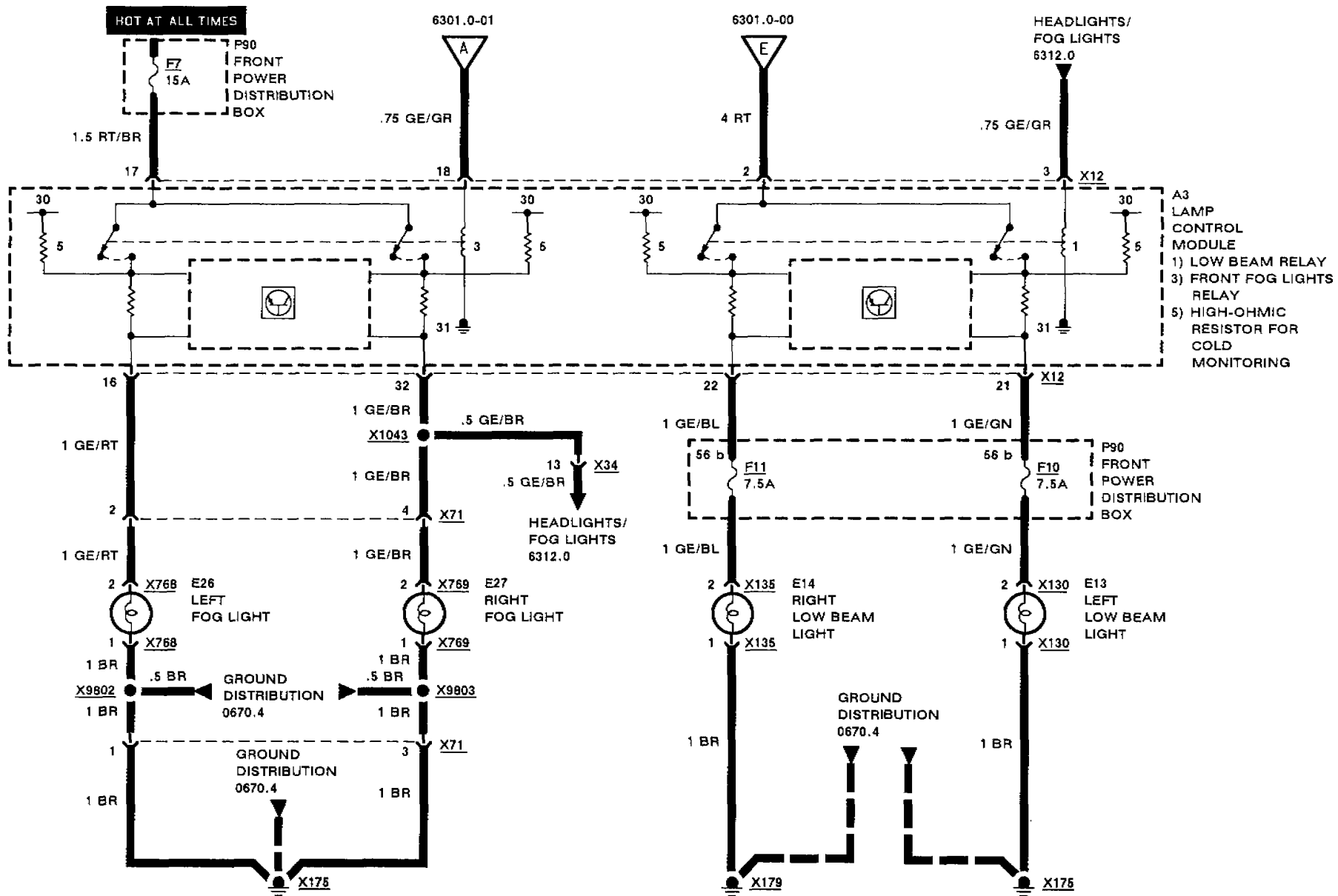




LAMP MONITOR (LKM)

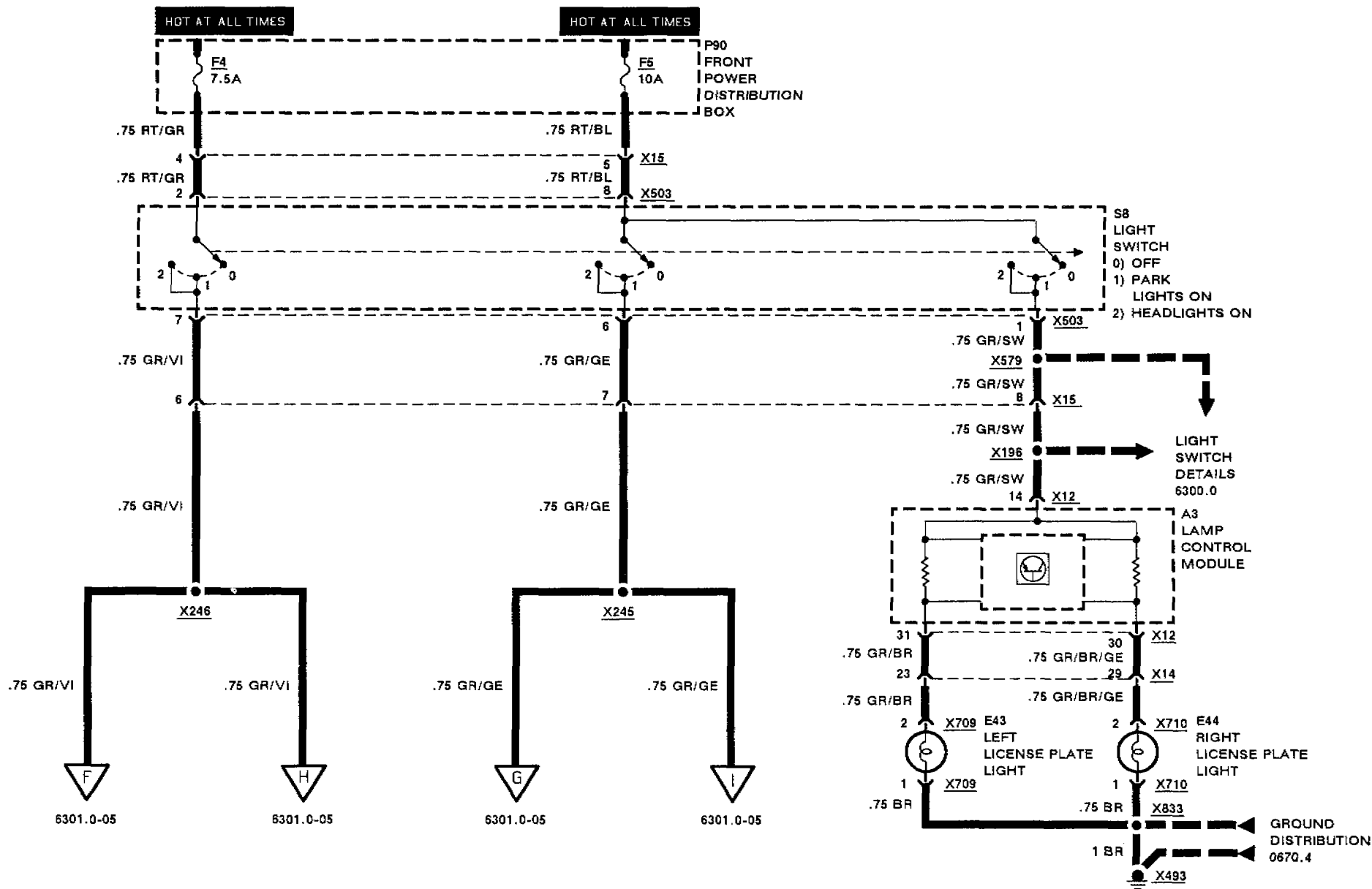


BMW 5 LAMP MONITOR (LKM)

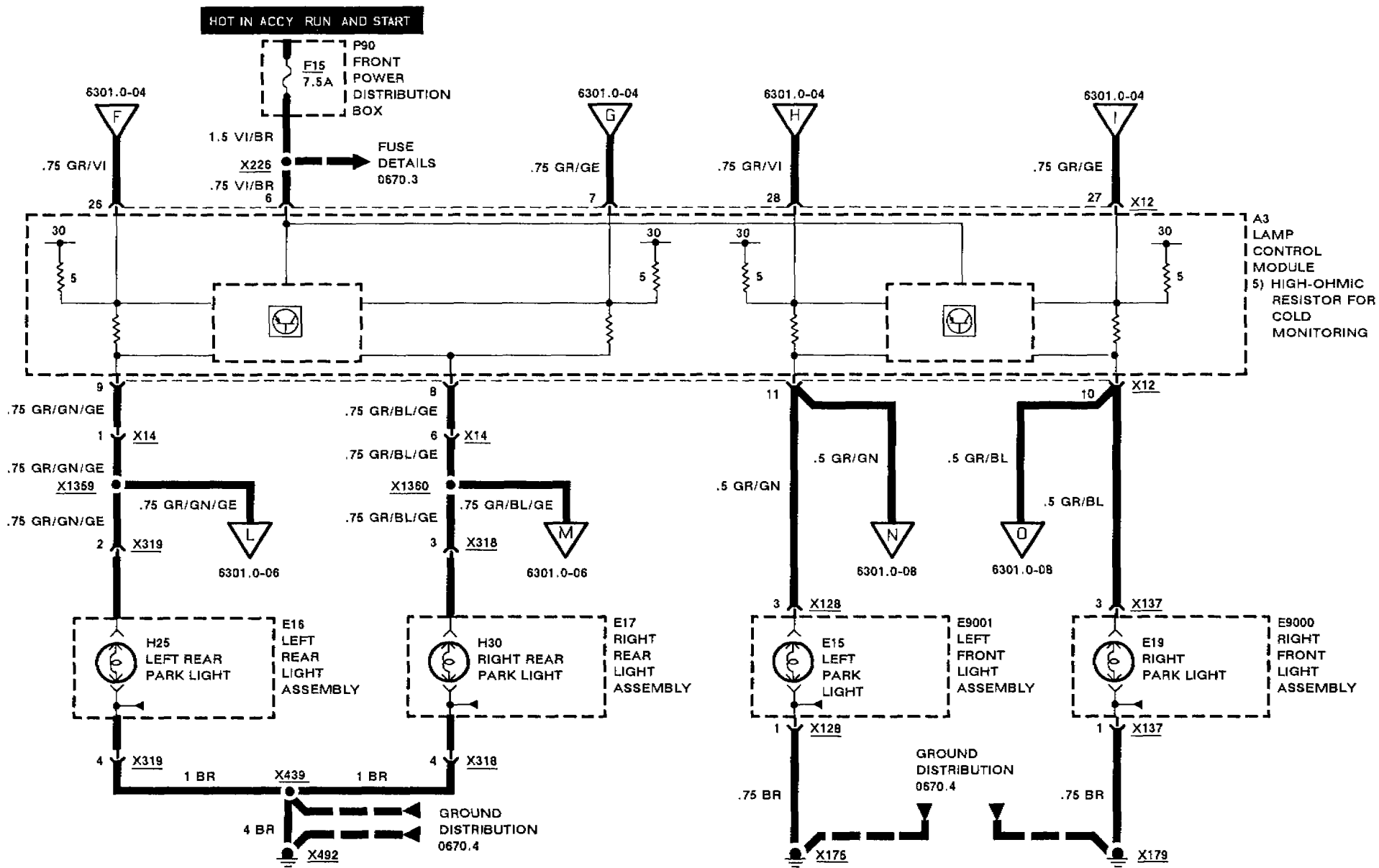




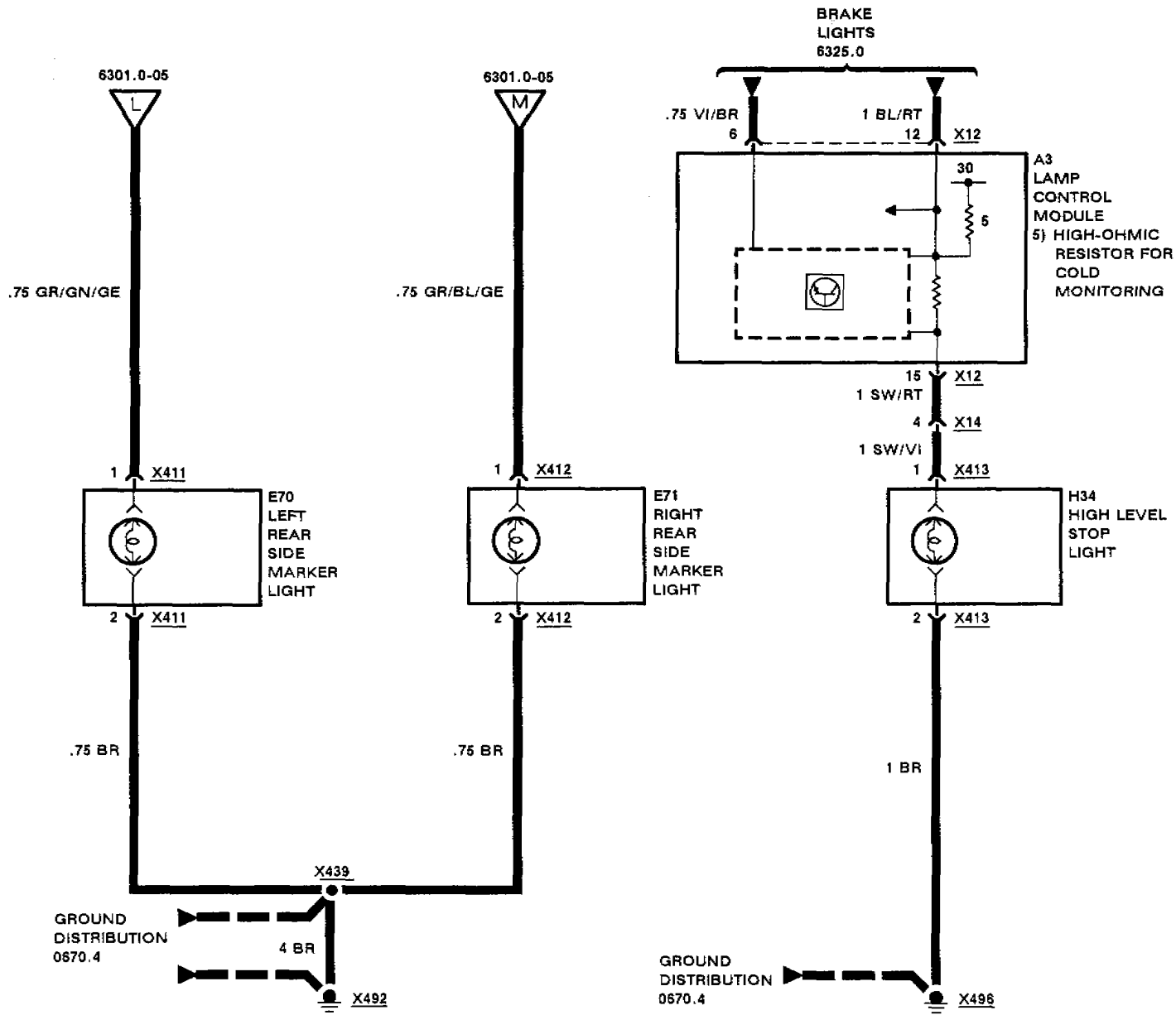
LAMP MONITOR (LKM)



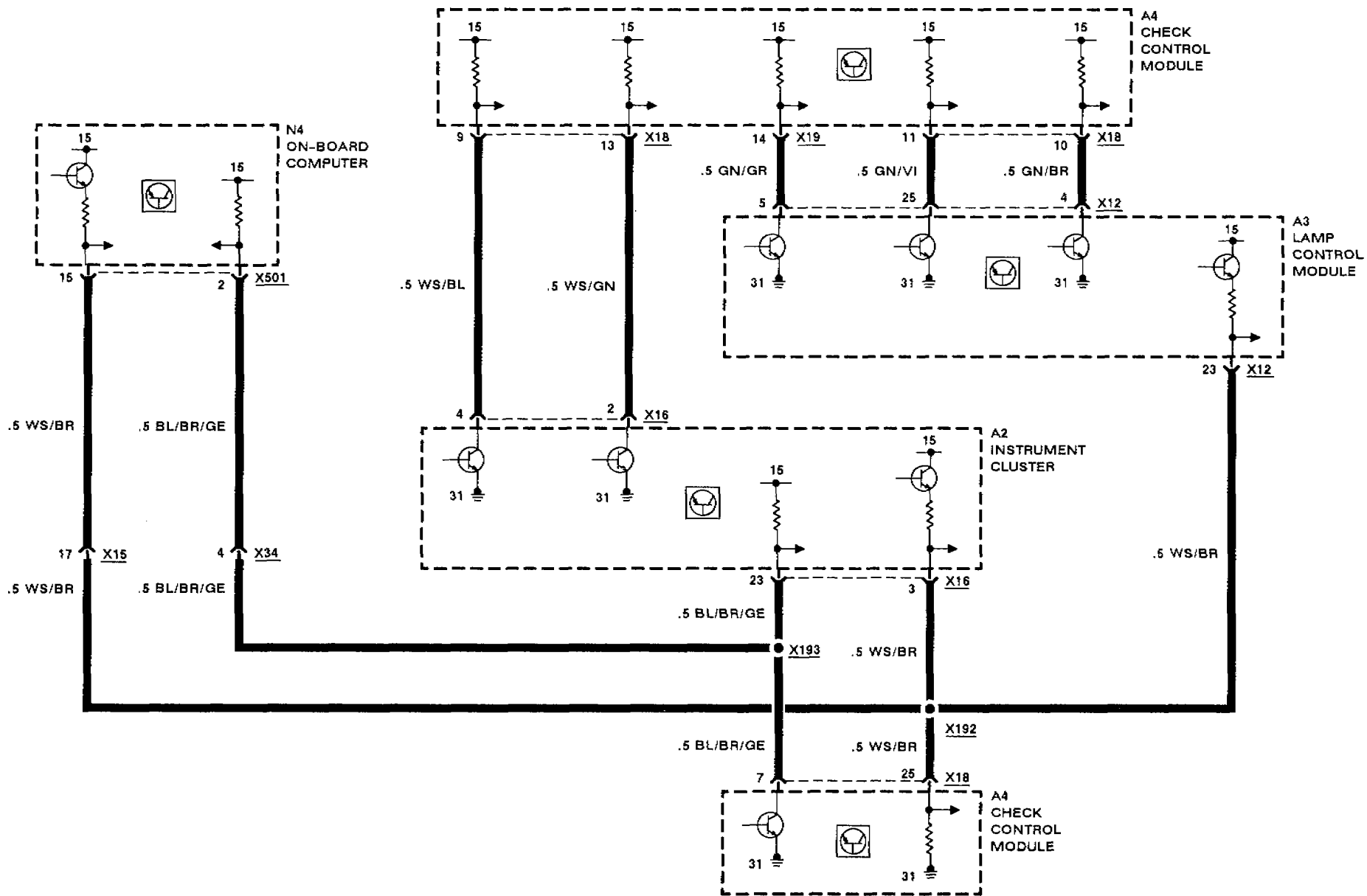
BMW 5 LAMP MONITOR (LKM)



LAMP MONITOR (LKM)

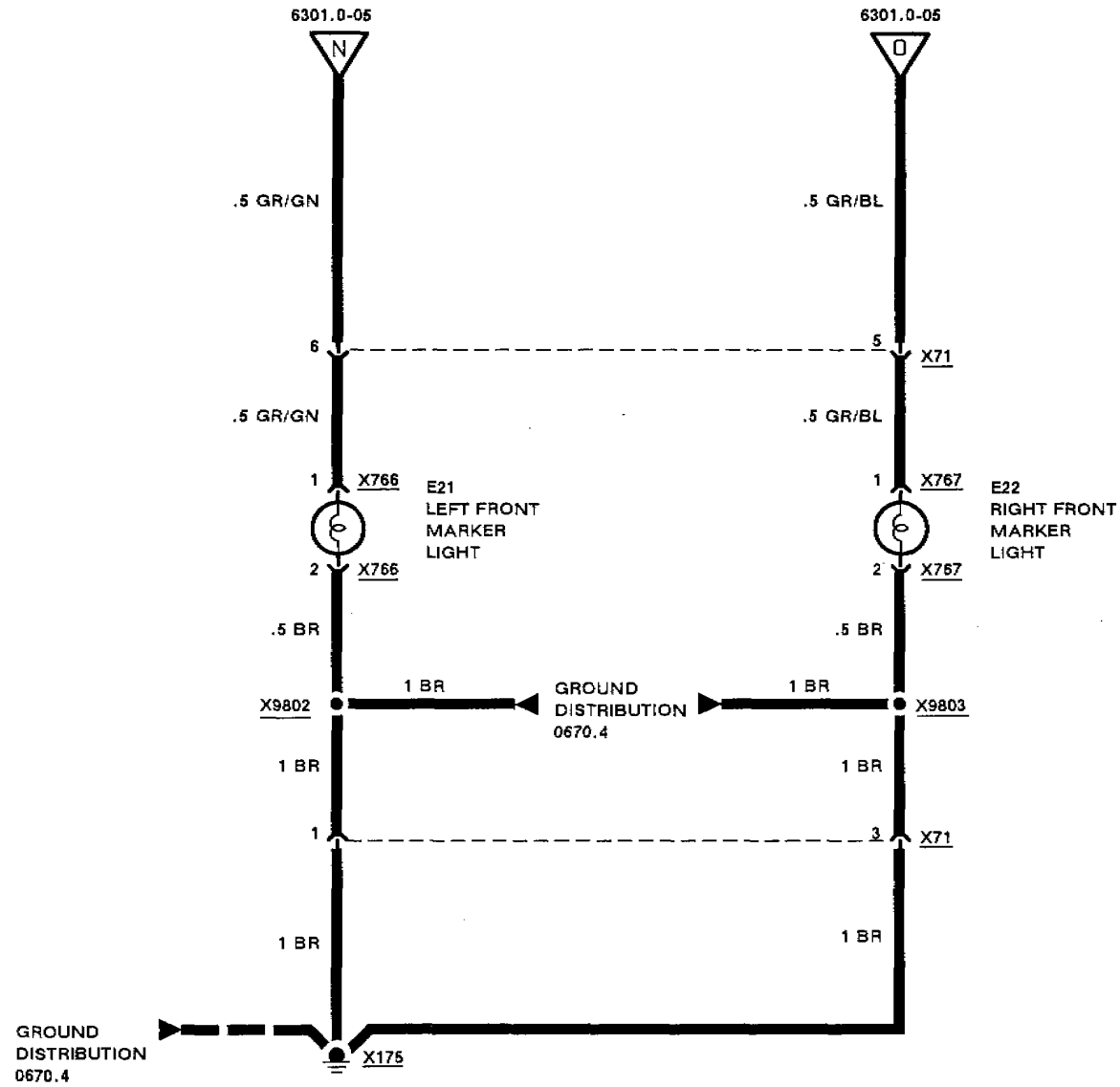


BMW 5 LAMP MONITOR (LKM) DATA LINK

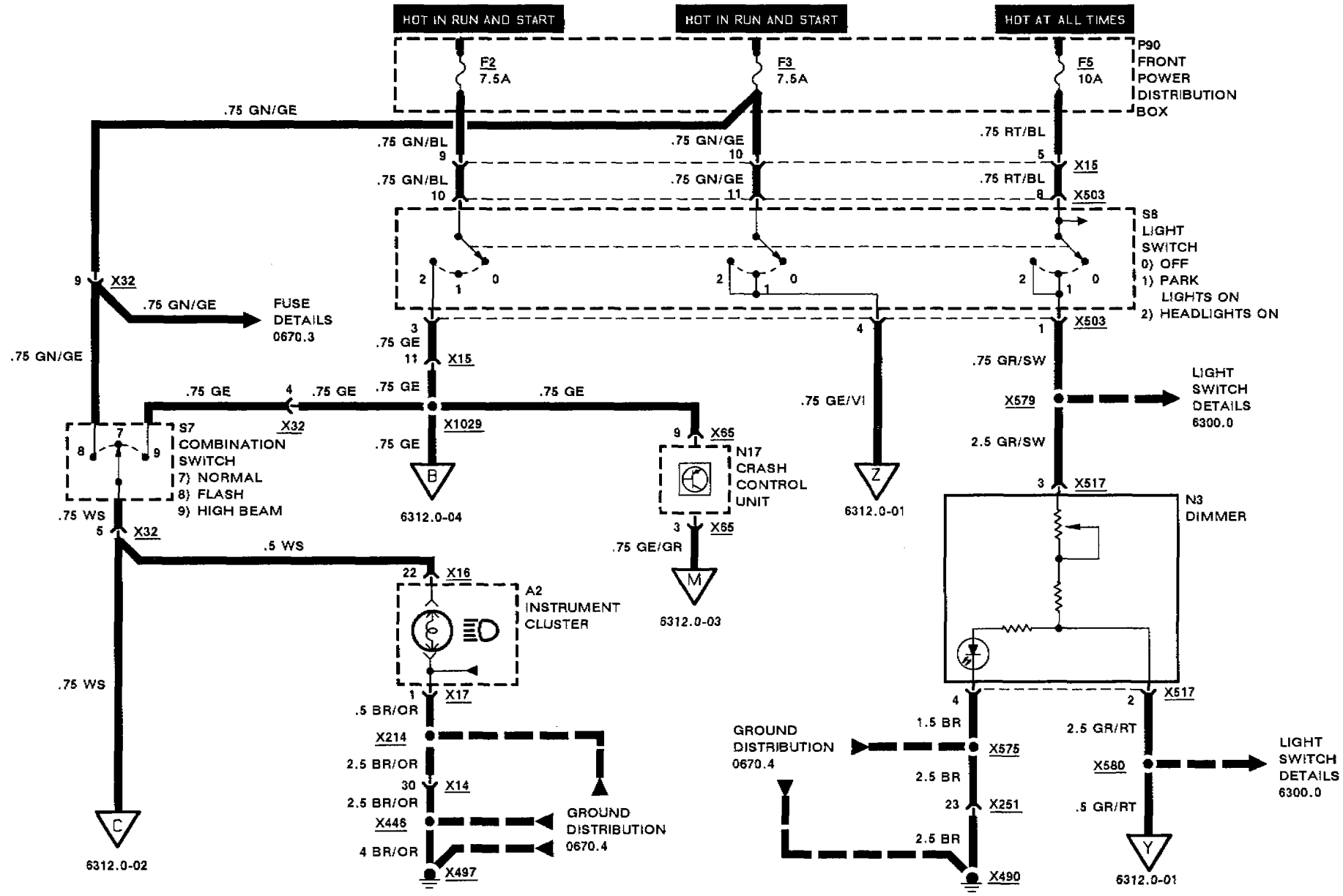




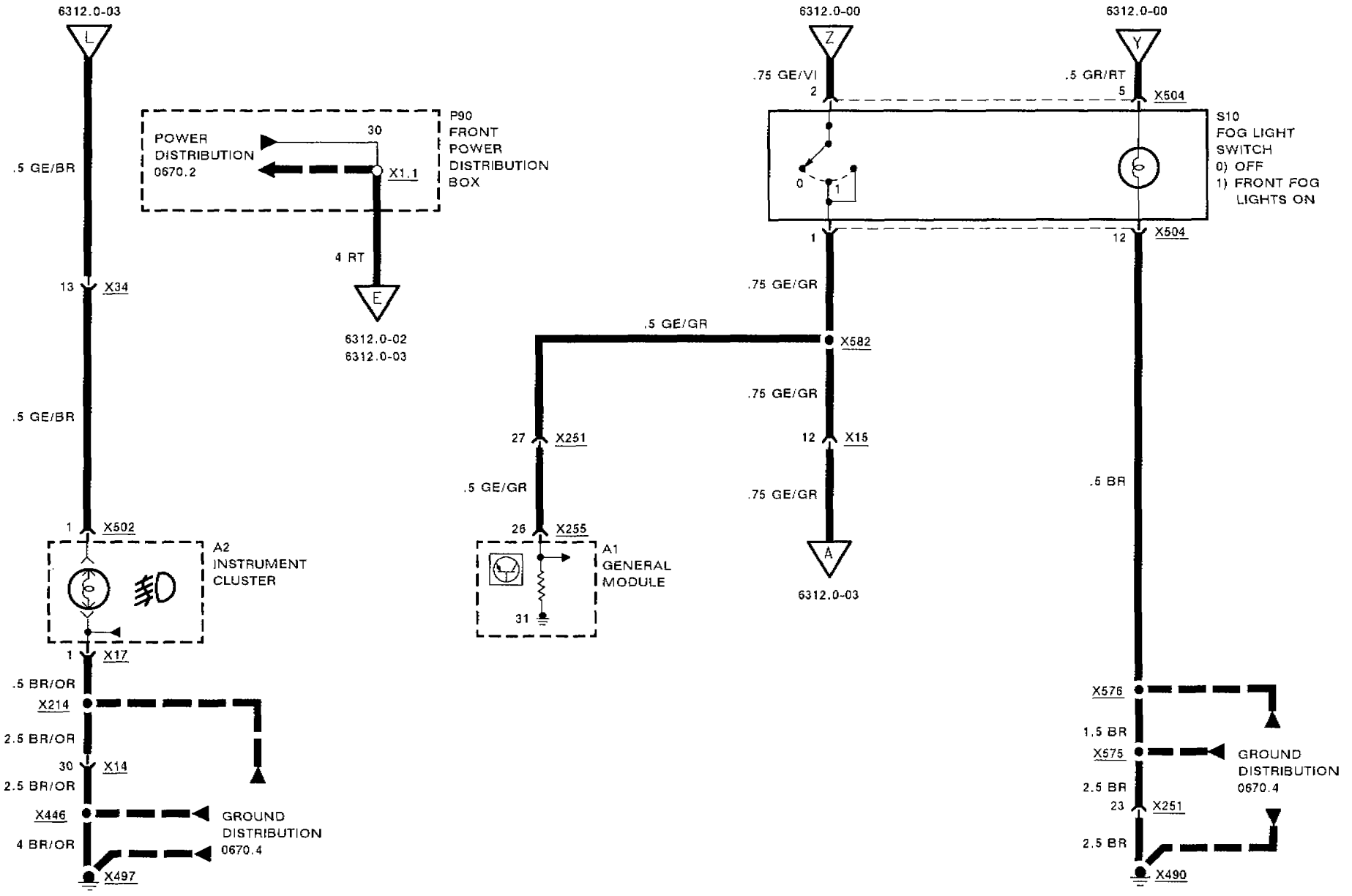
LAMP MONITOR (LKM)



BMW 5 HEADLIGHTS/ FOG LIGHTS

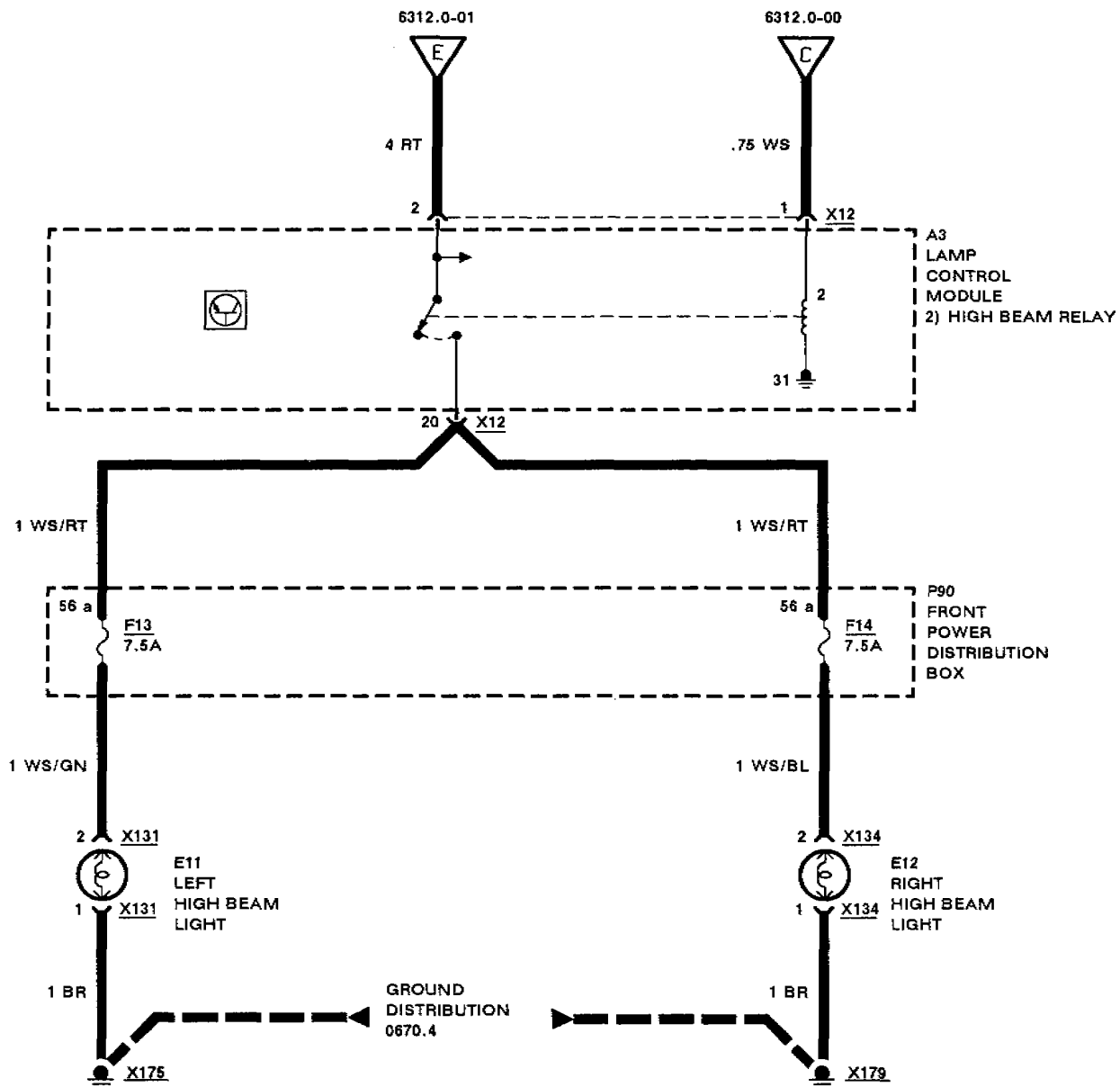


BMW 5 HEADLIGHTS/ FOG LIGHTS

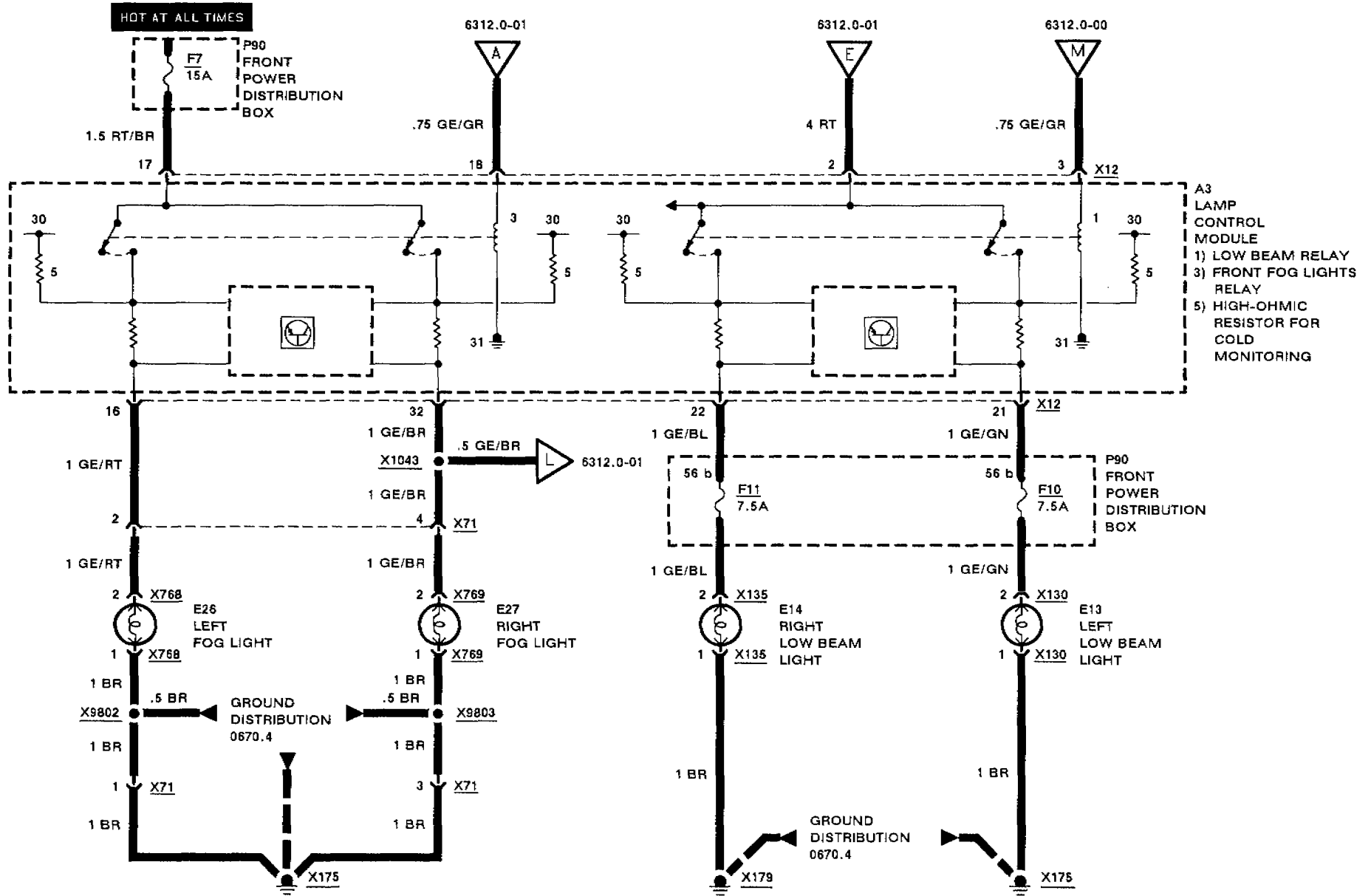




HEADLIGHTS/ FOG LIGHTS

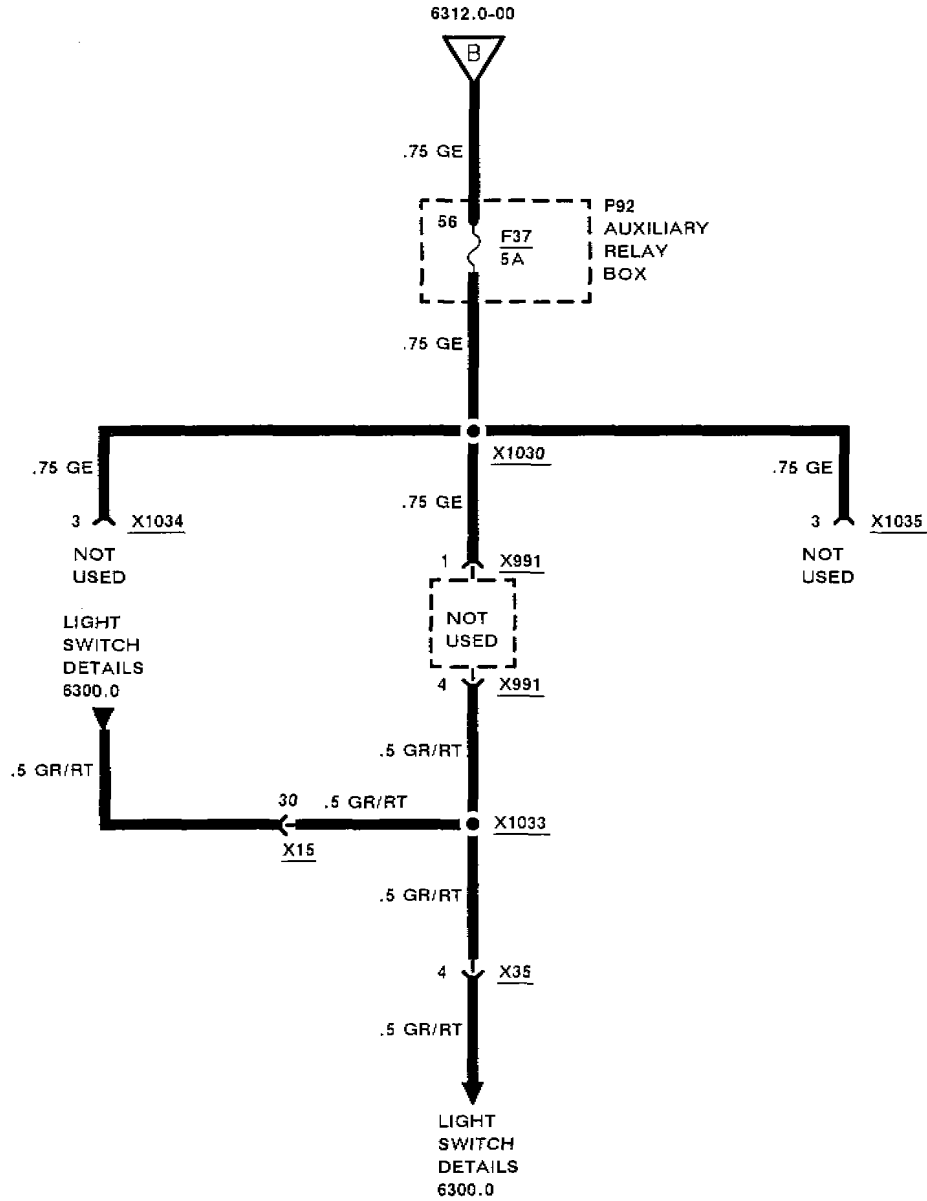


HEADLIGHTS/ FOG LIGHTS

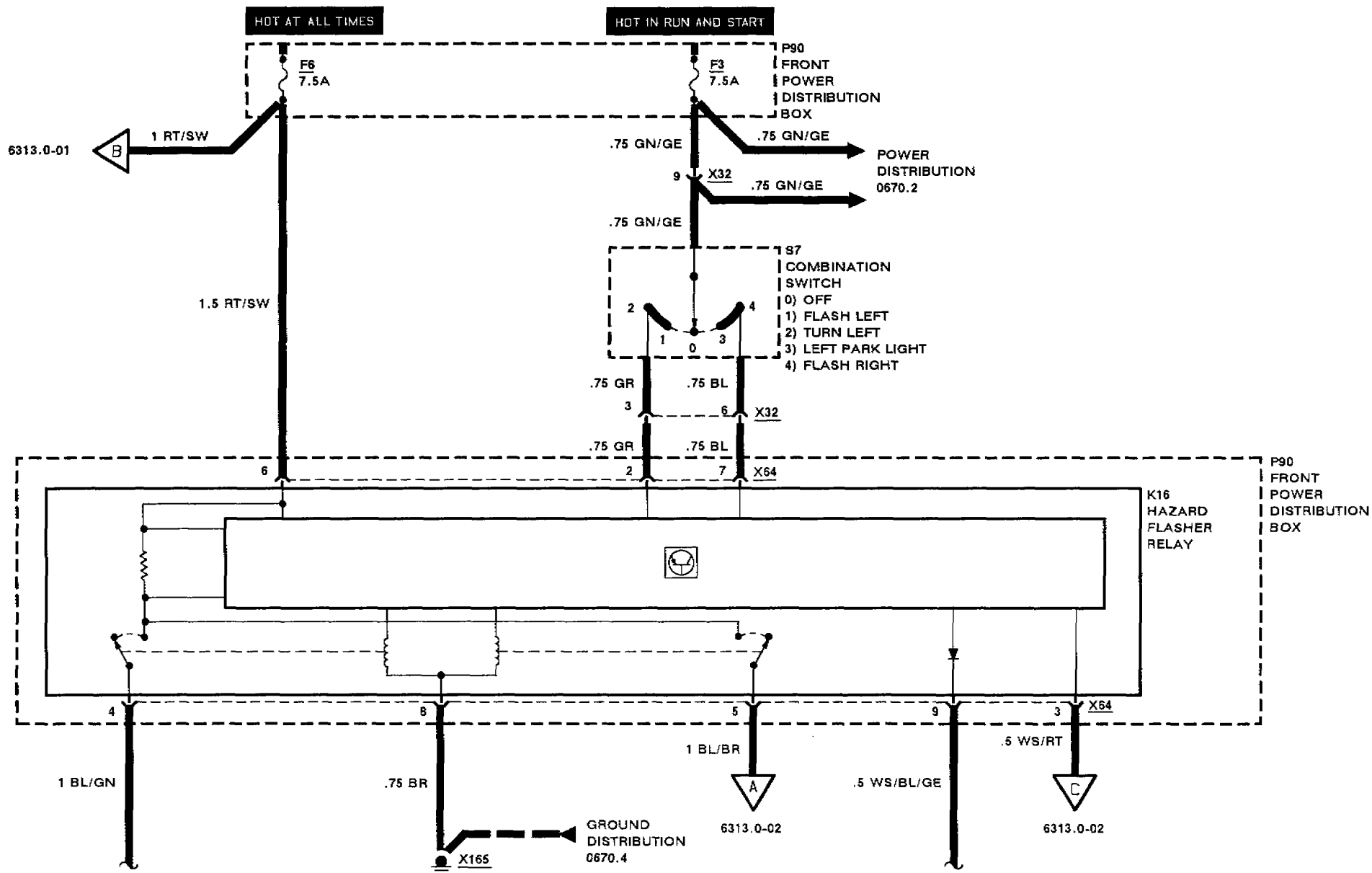


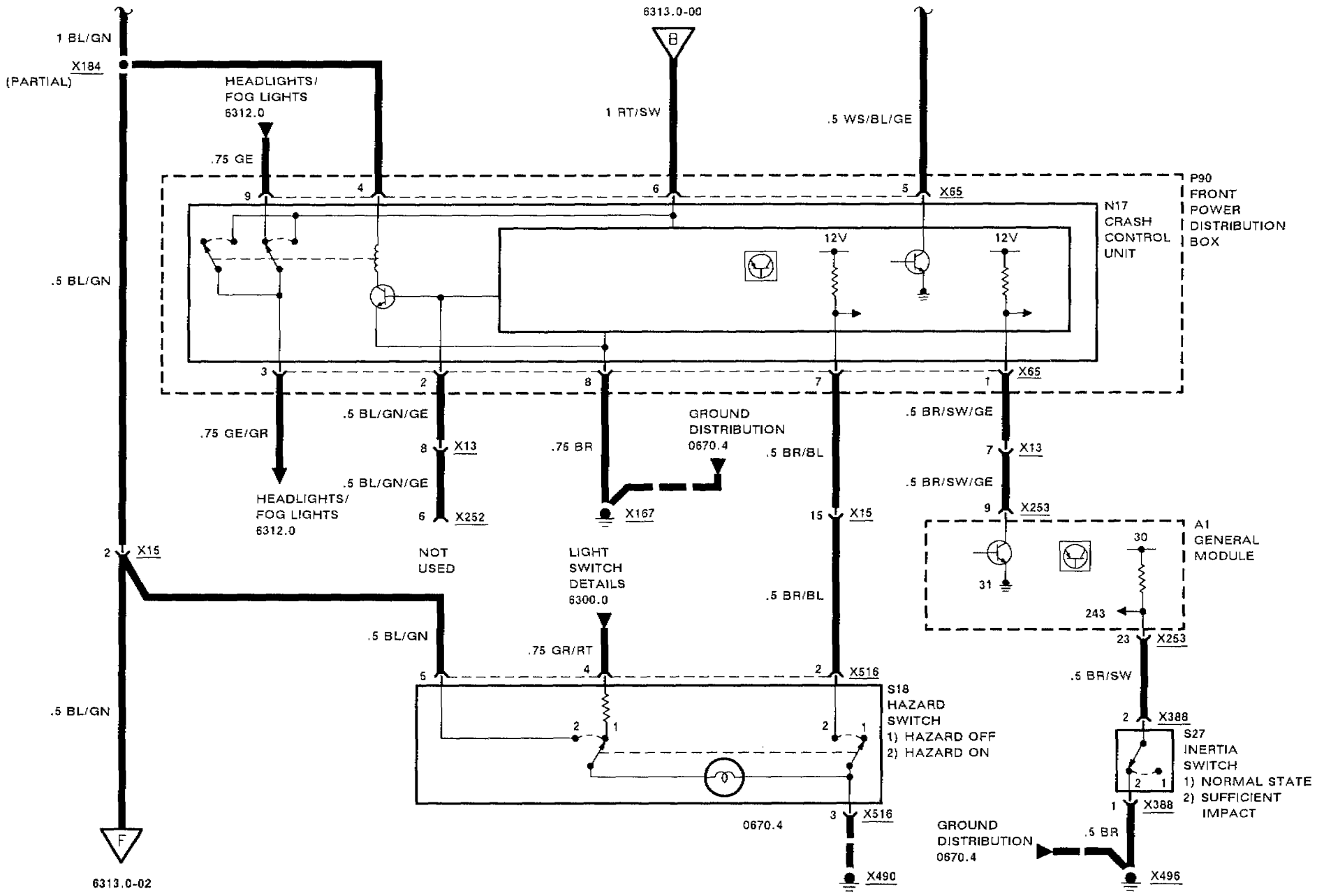


HEADLIGHTS/ FOG LIGHTS



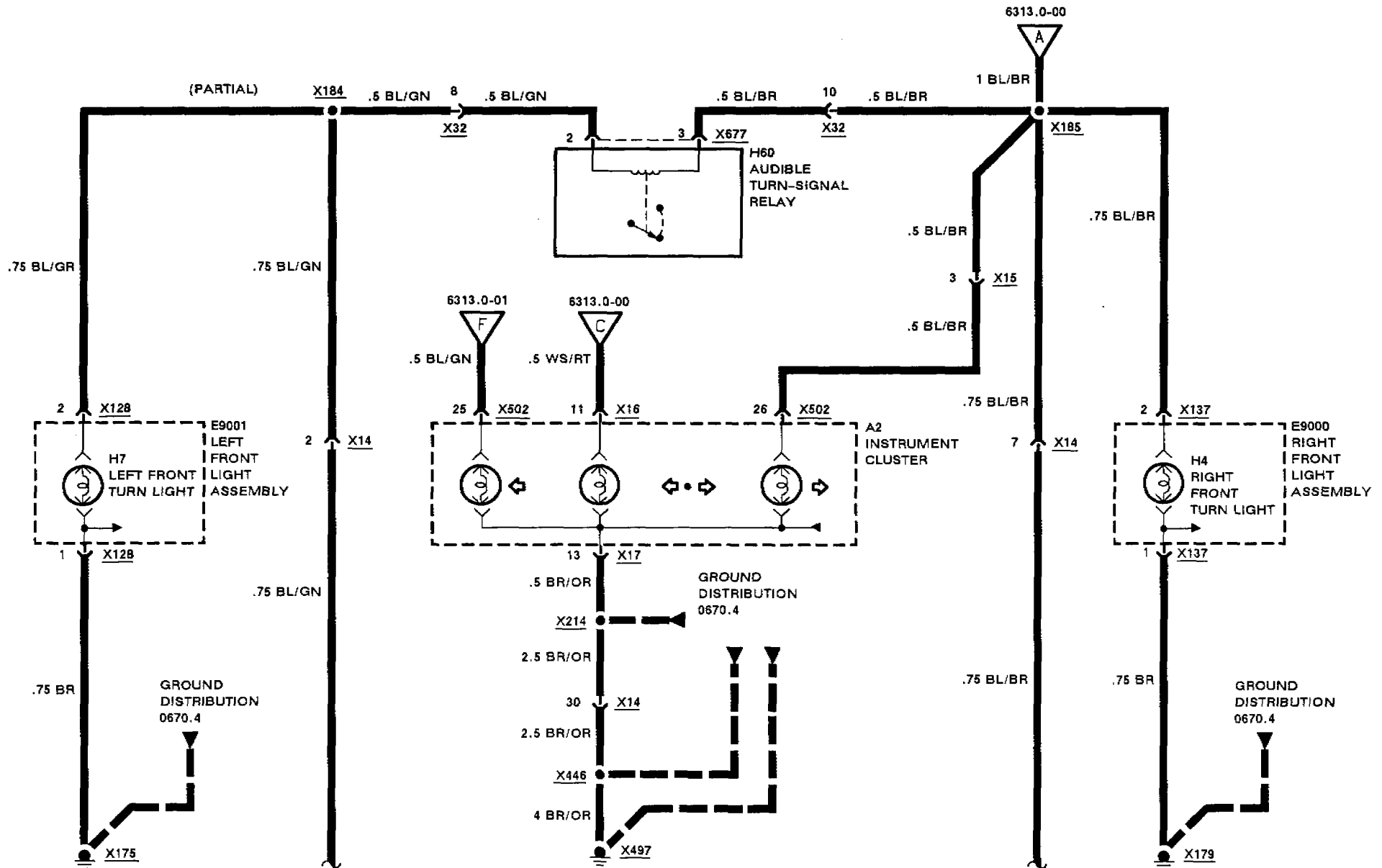
TURN/ HAZARD LIGHTS

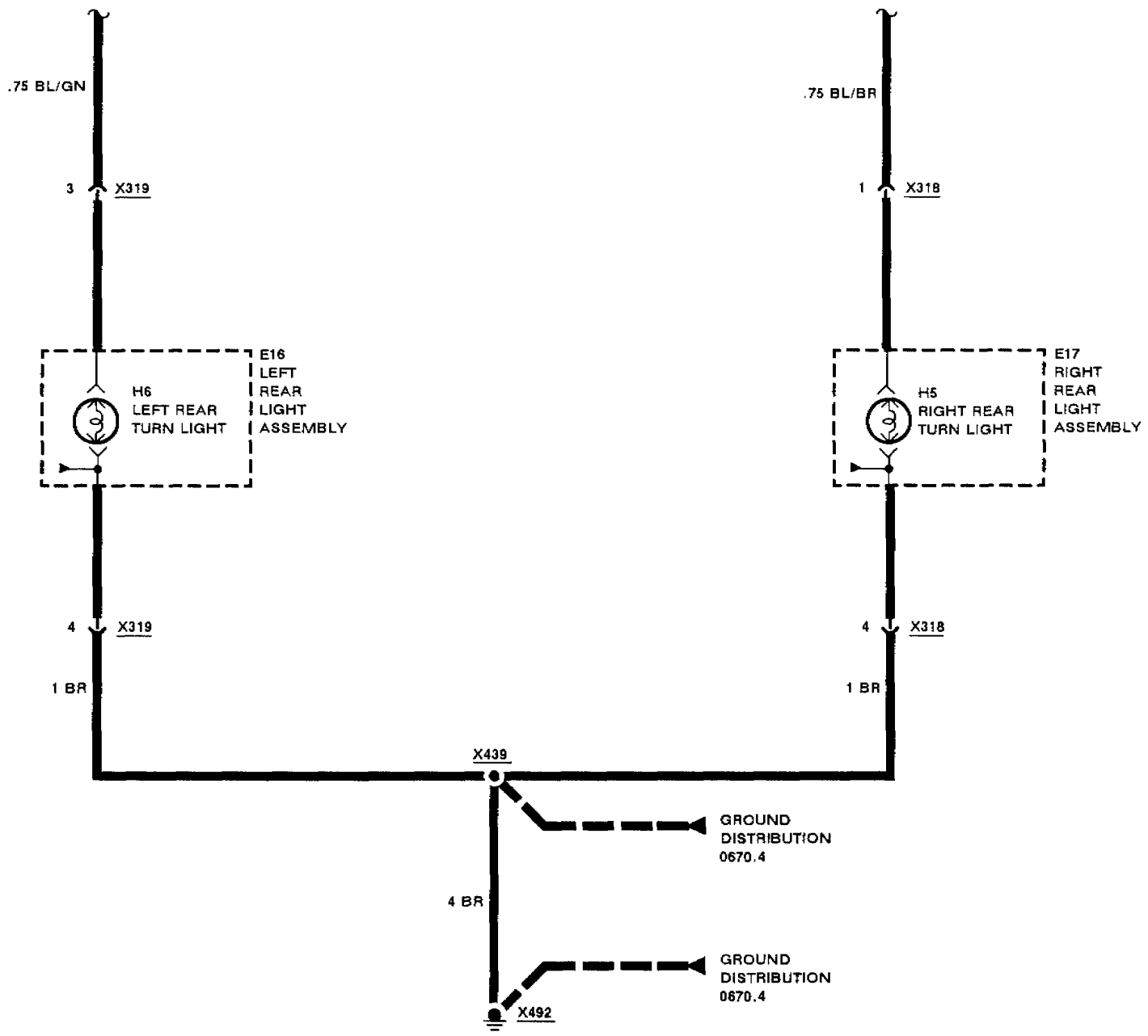






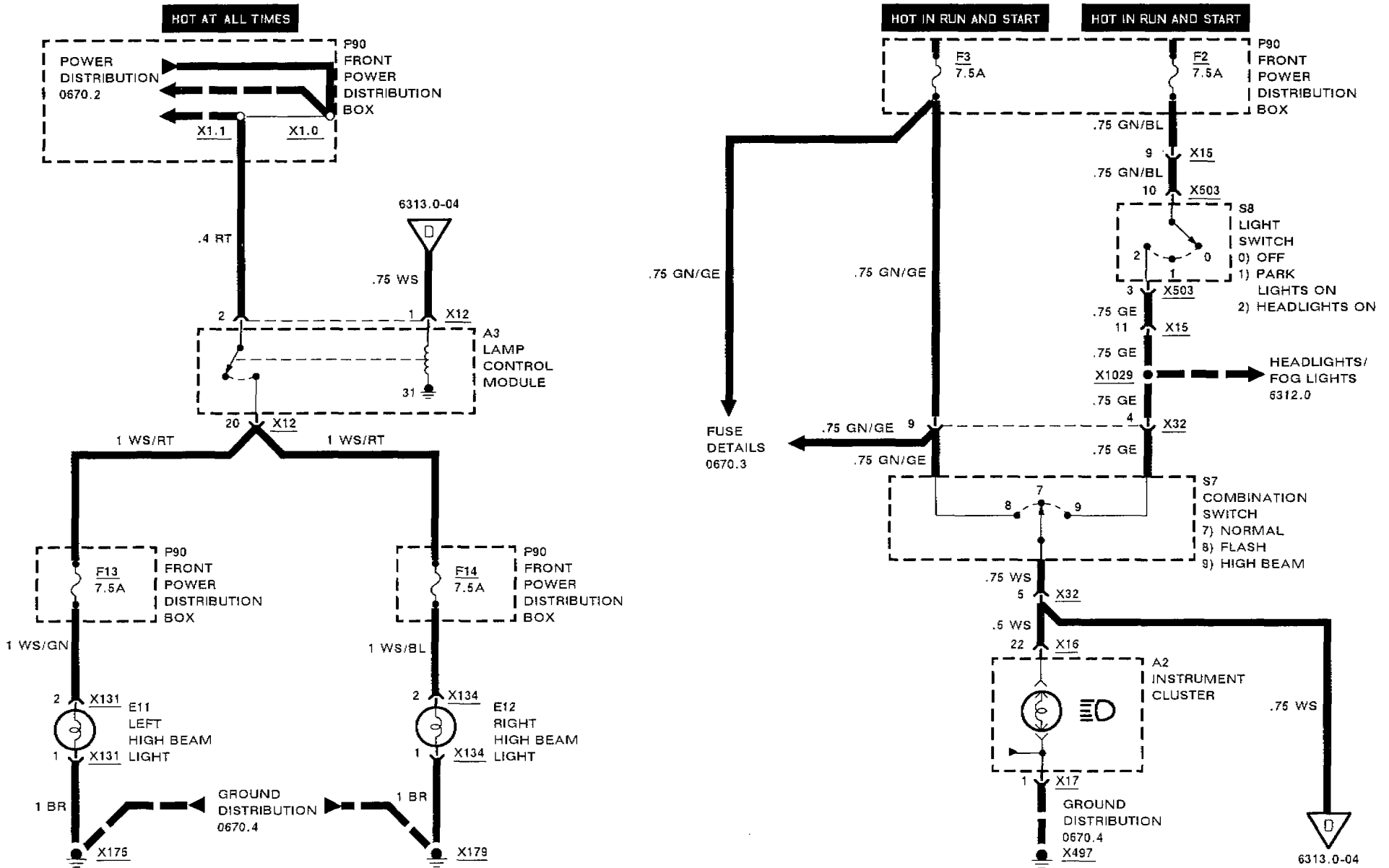
TURN/ HAZARD LIGHTS





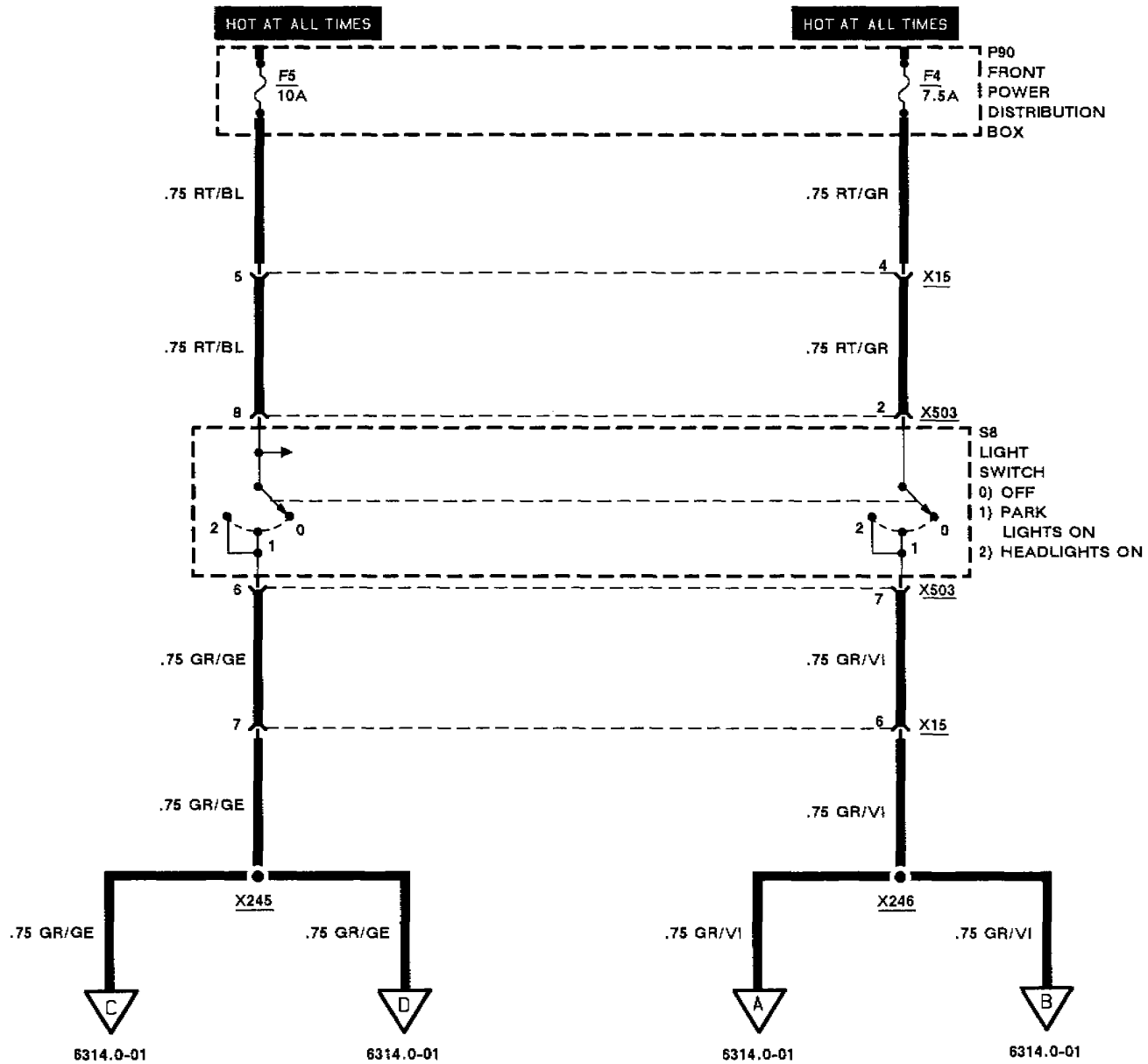


TURN/ HAZARD LIGHTS





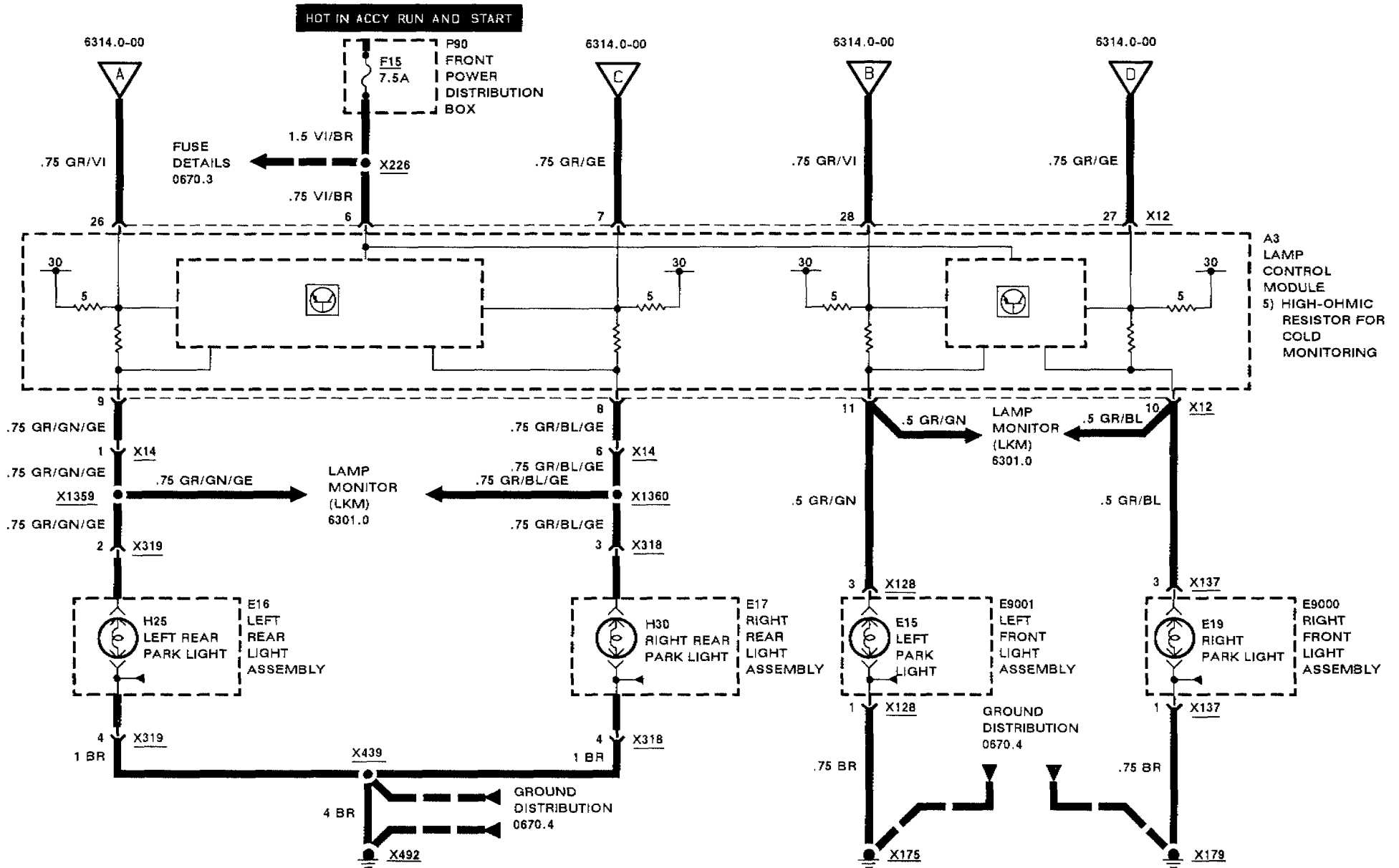
PARK/ TAIL/ UNDERHOOD LIGHTS





PARK/ TAIL/ UNDERHOOD LIGHTS

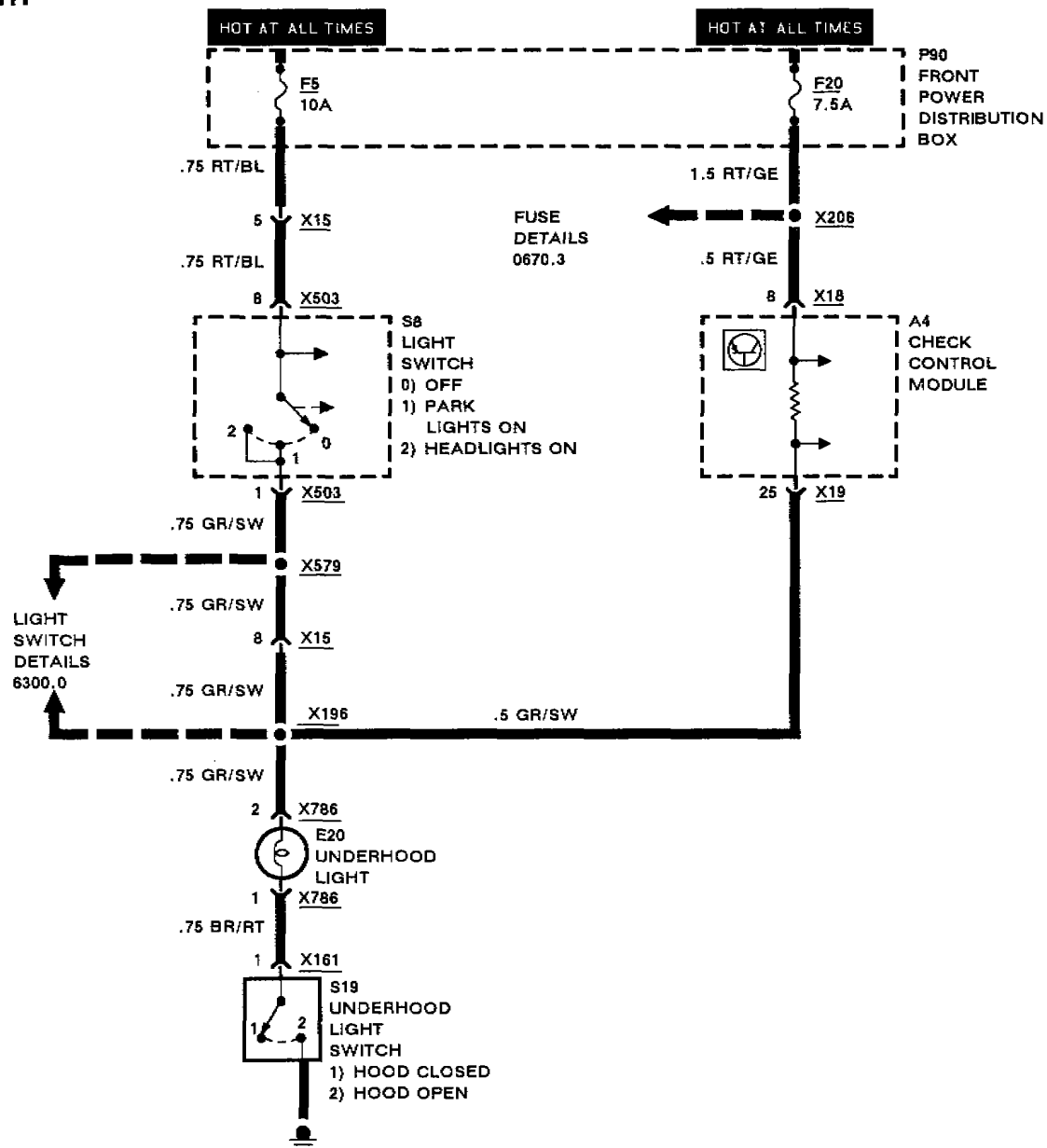
FRONT AND REAR PARK LIGHTS





PARK/ TAIL/ UNDERHOOD LIGHTS

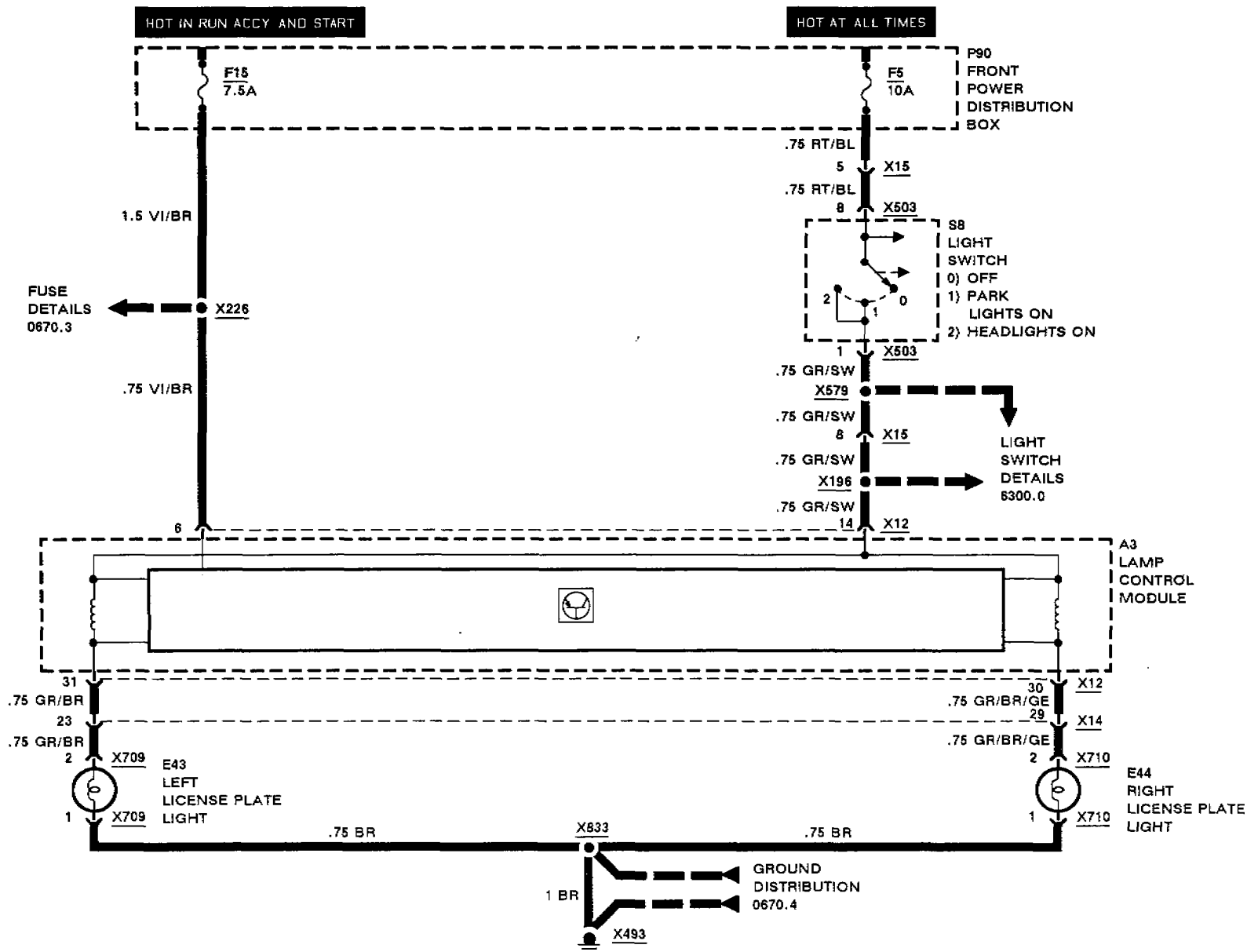
UNDERHOOD LIGHT





LICENSE/ TRUNK LIGHTS

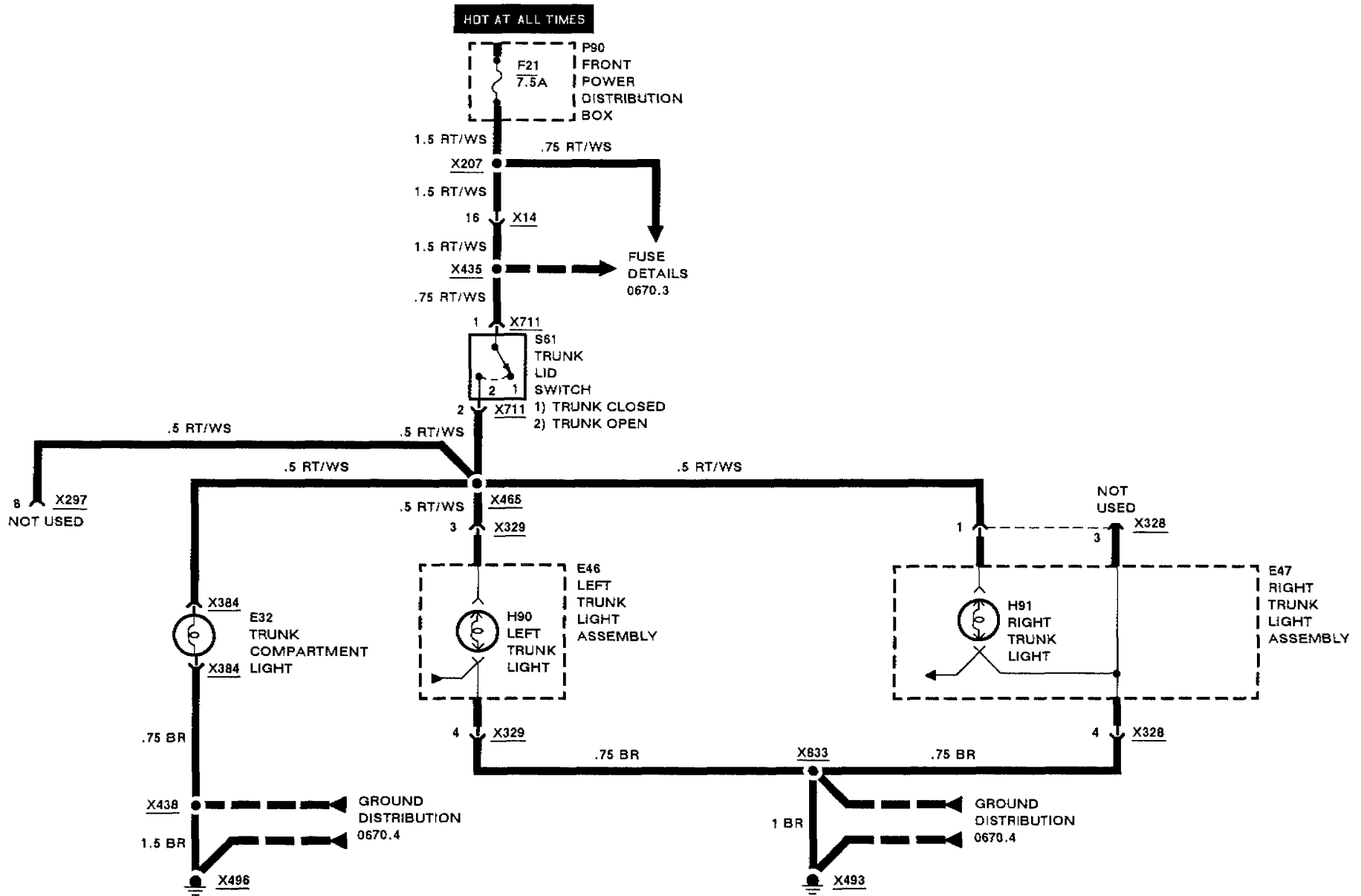
LICENSE LIGHTS





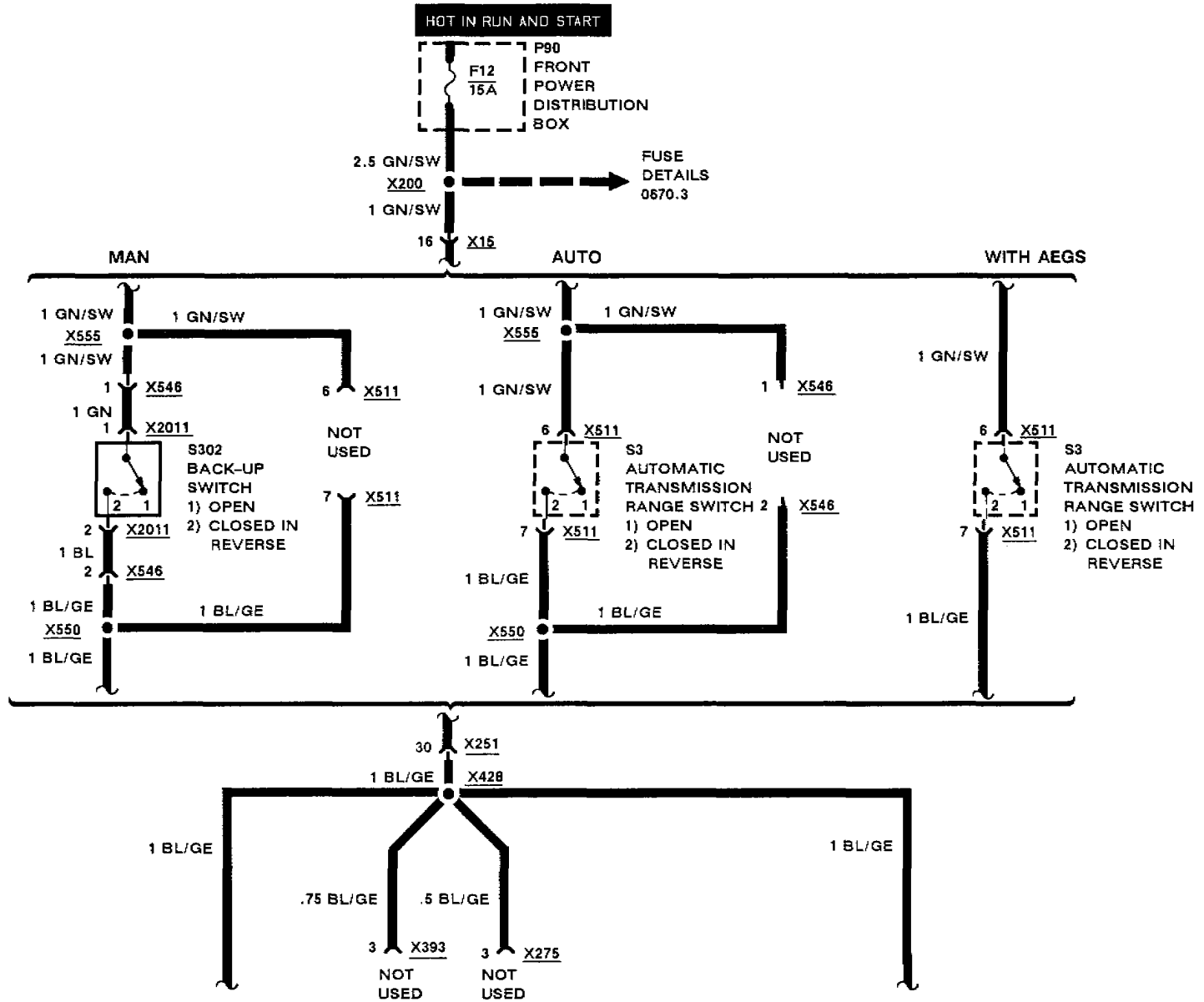
LICENSE/ TRUNK LIGHTS

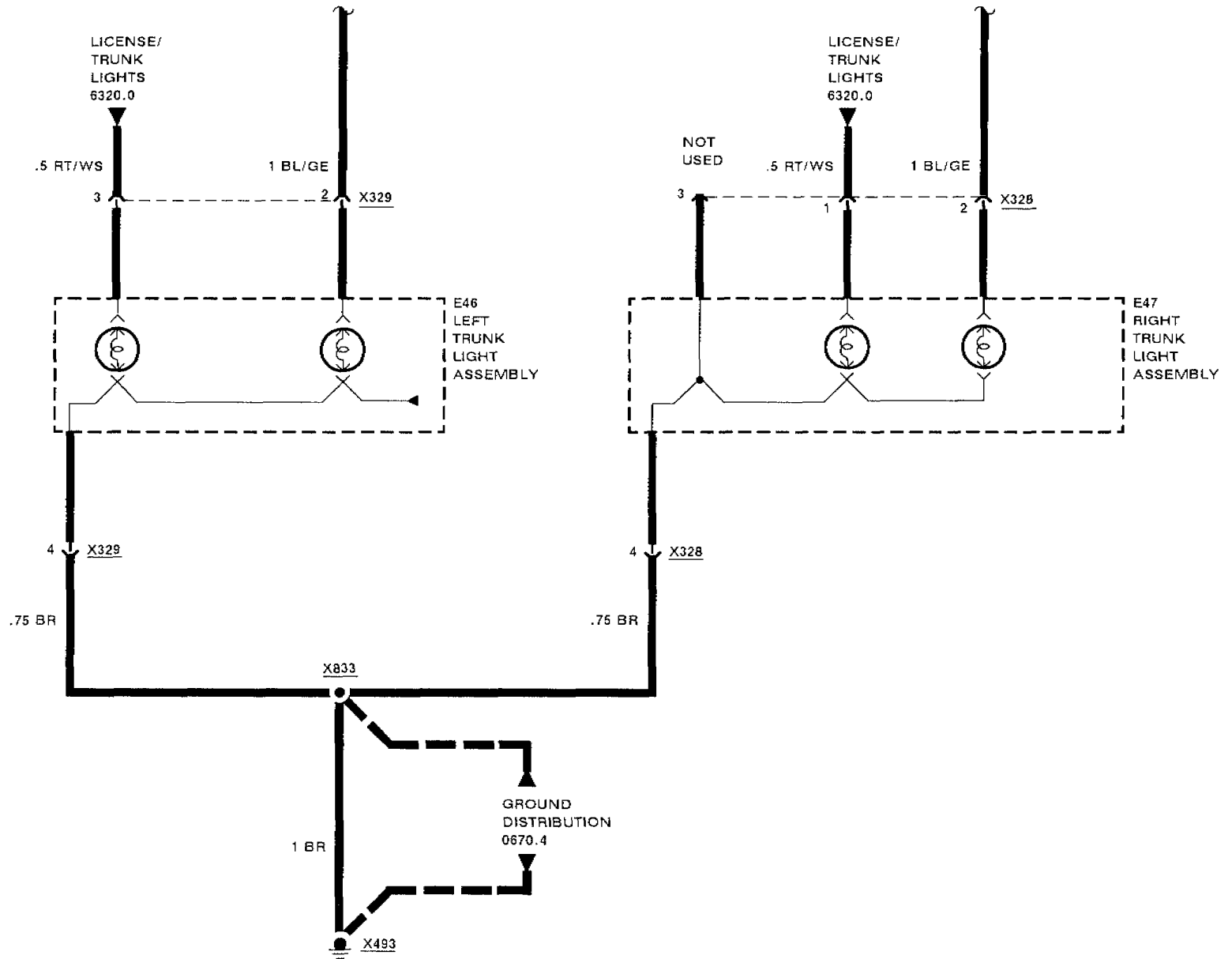
TRUNK LIGHTS



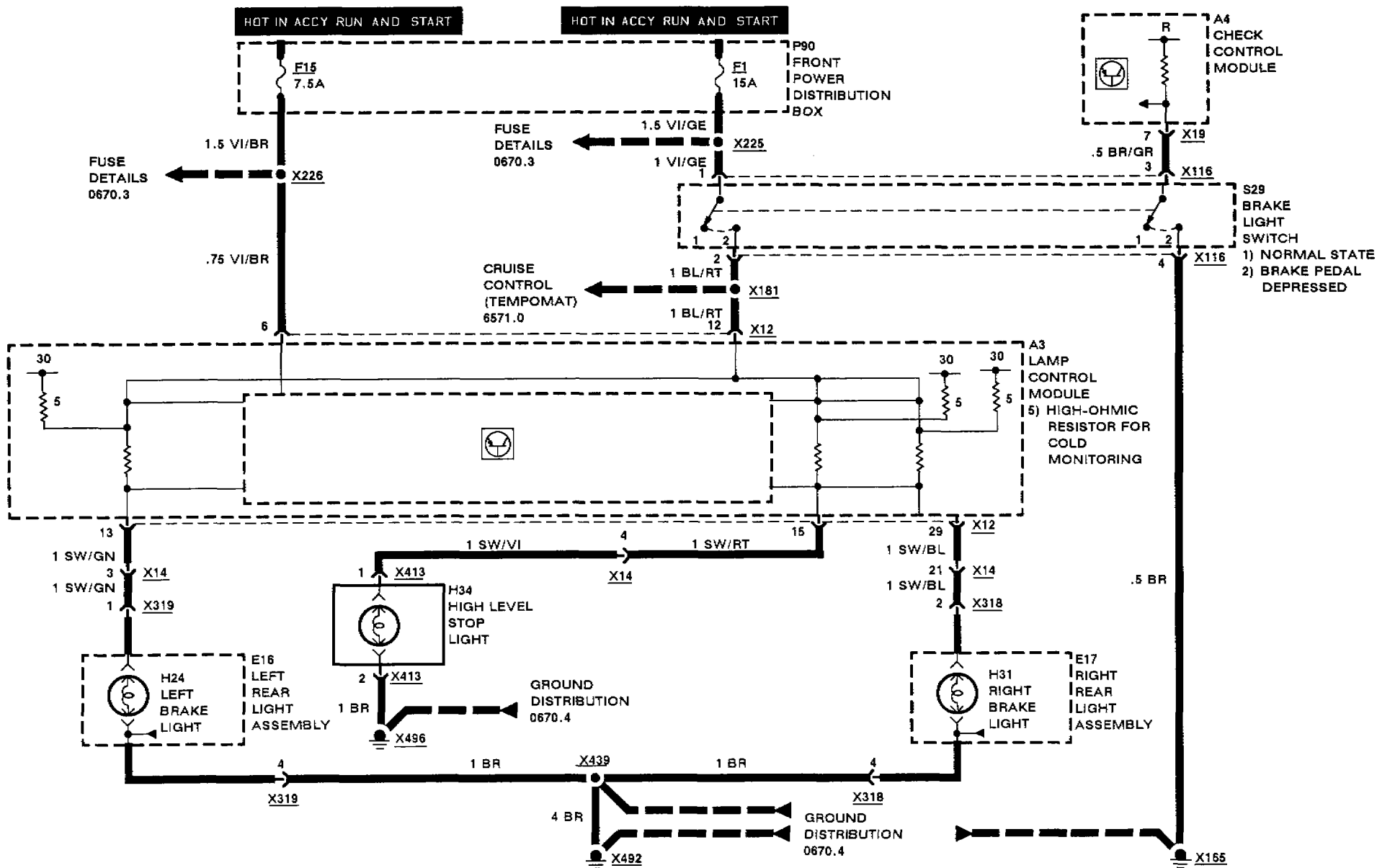


BACK UP LIGHTS

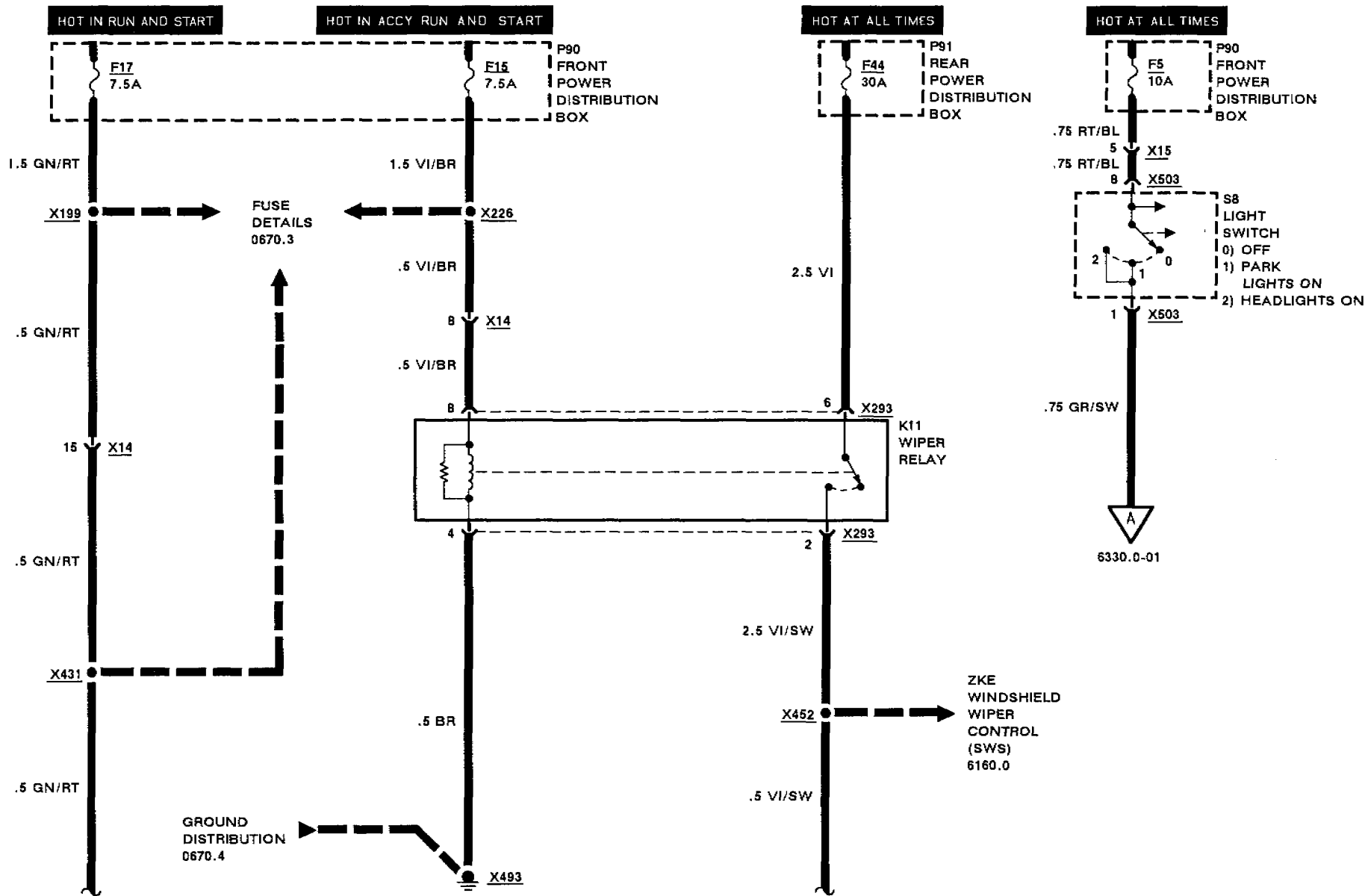


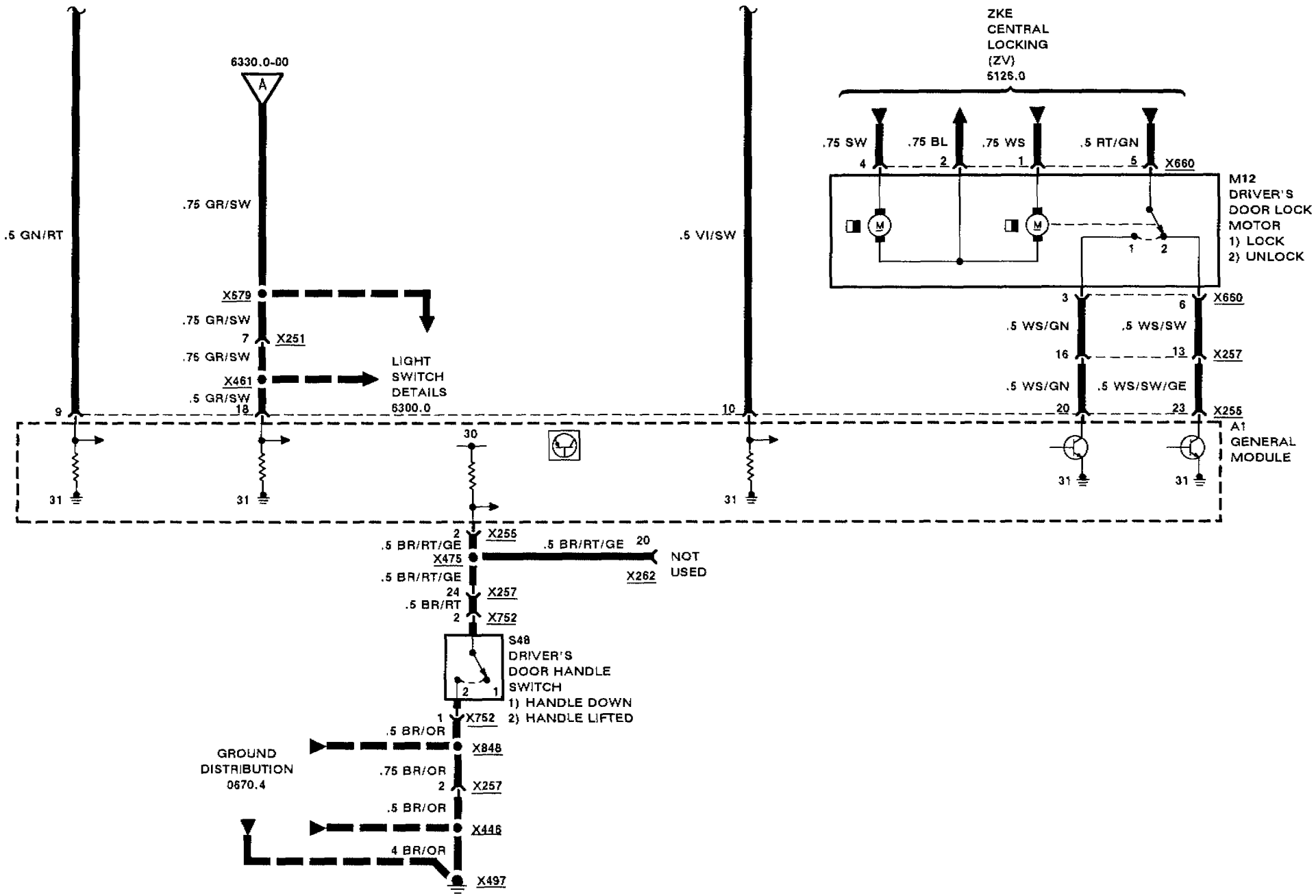


BMW 5 BRAKE LIGHTS



BMW 5 ZKE INTERIOR LIGHTS (IB)
INPUT DETAILS

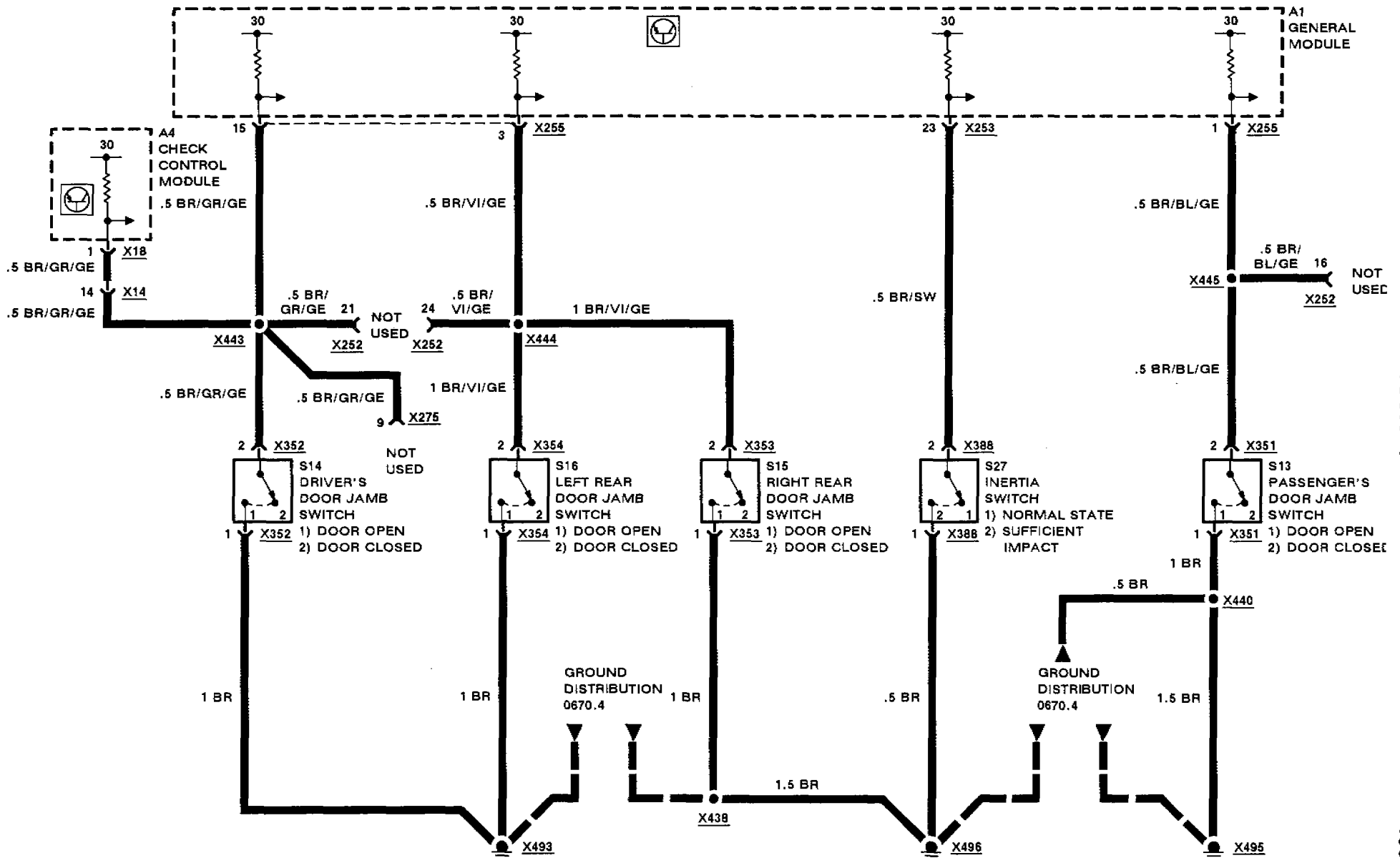






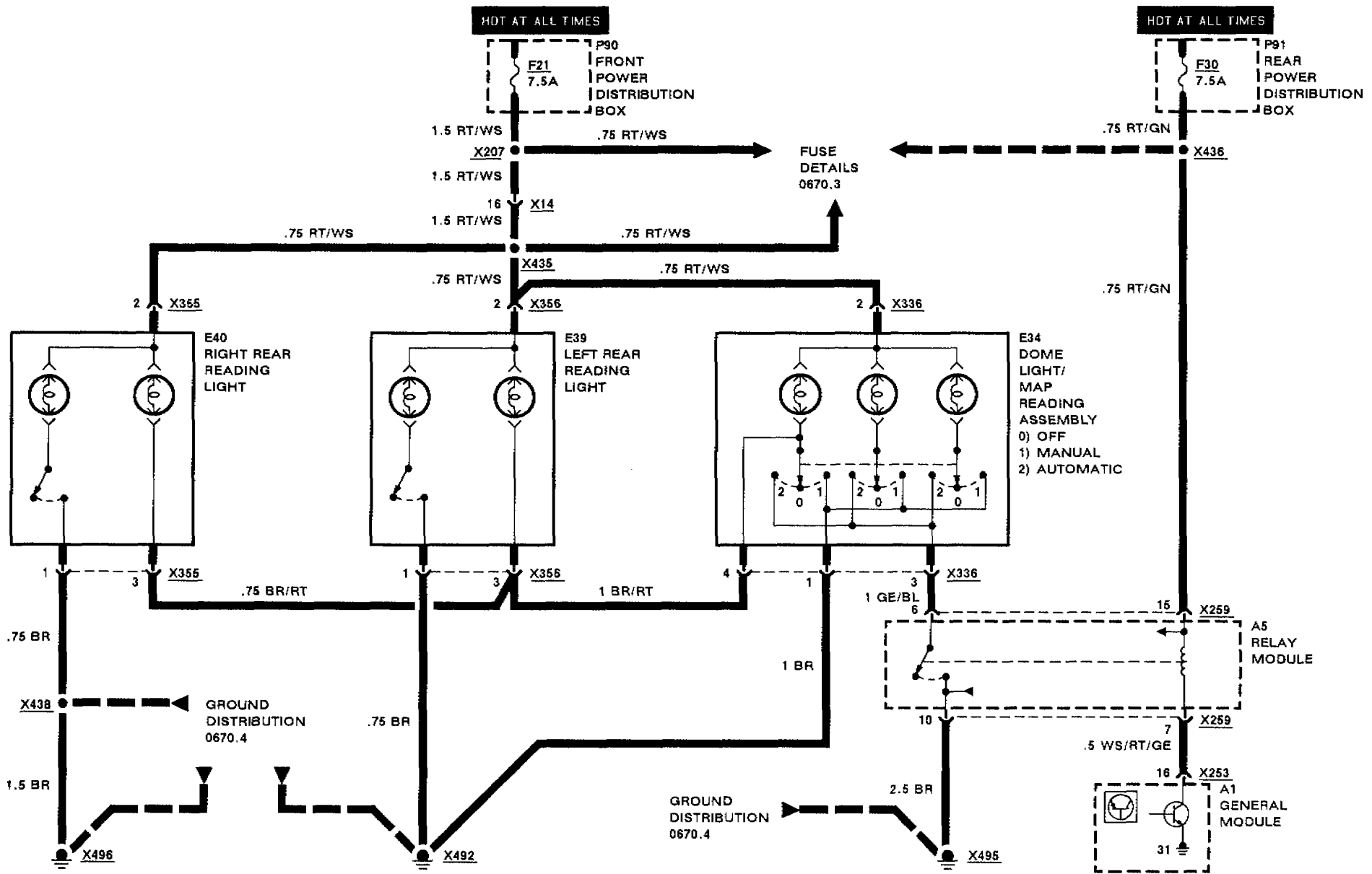
ZKE INTERIOR LIGHTS (IB)

INPUT DETAILS



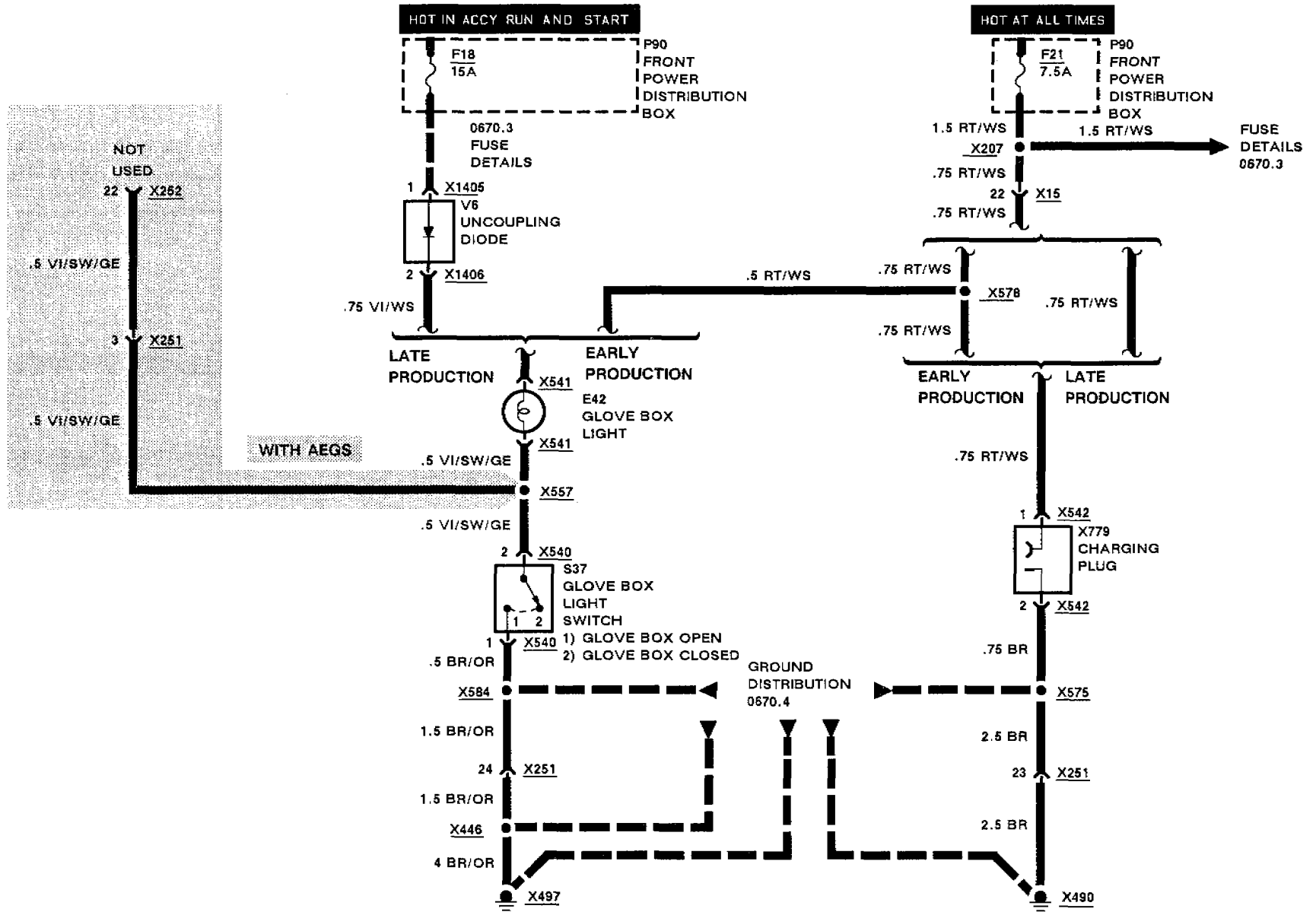


ZKE INTERIOR LIGHTS (IB) OUTPUT DETAILS



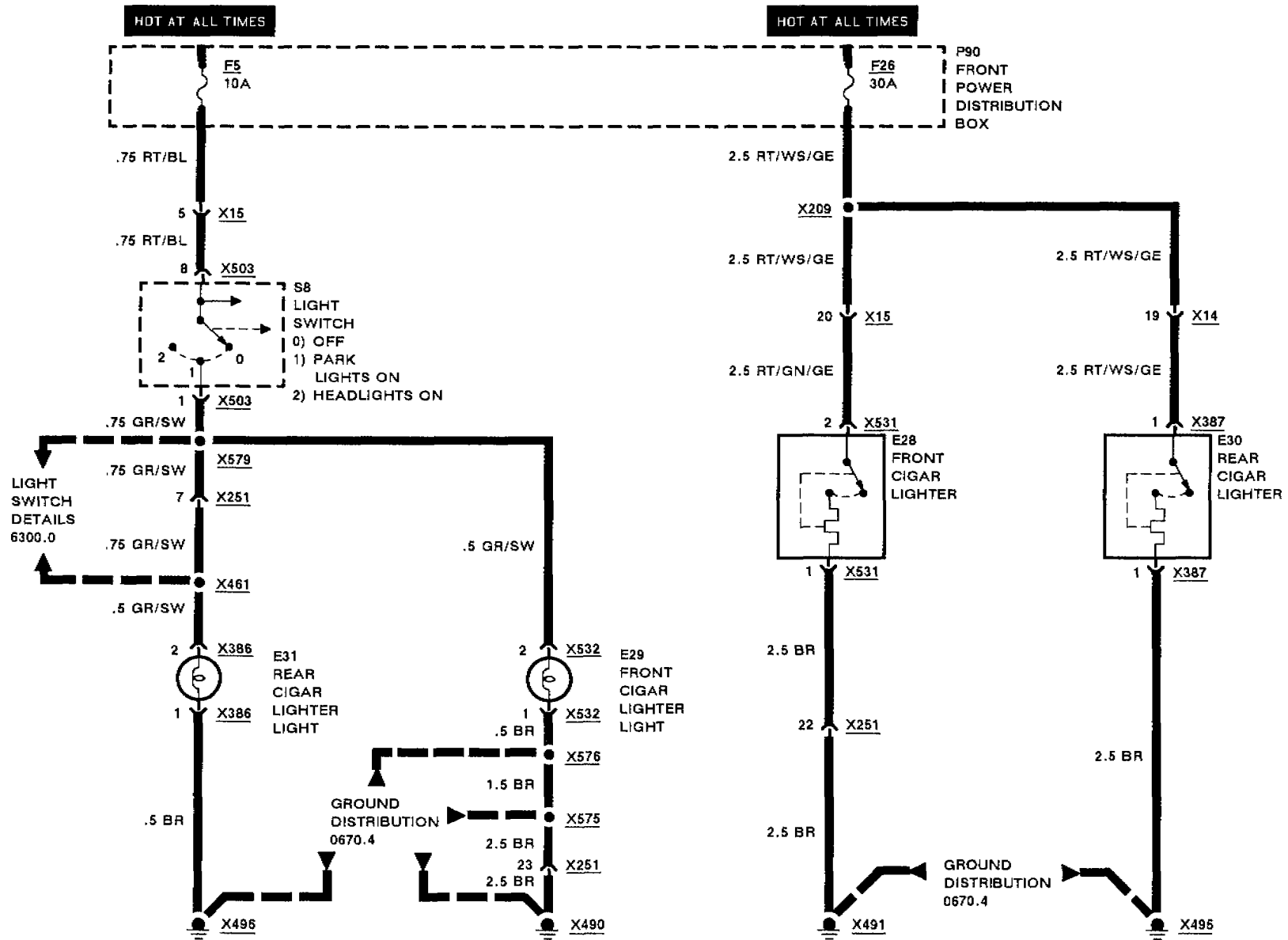


GLOVE BOX LIGHT/ CIGAR LIGHTER/ CHARGING PLUG





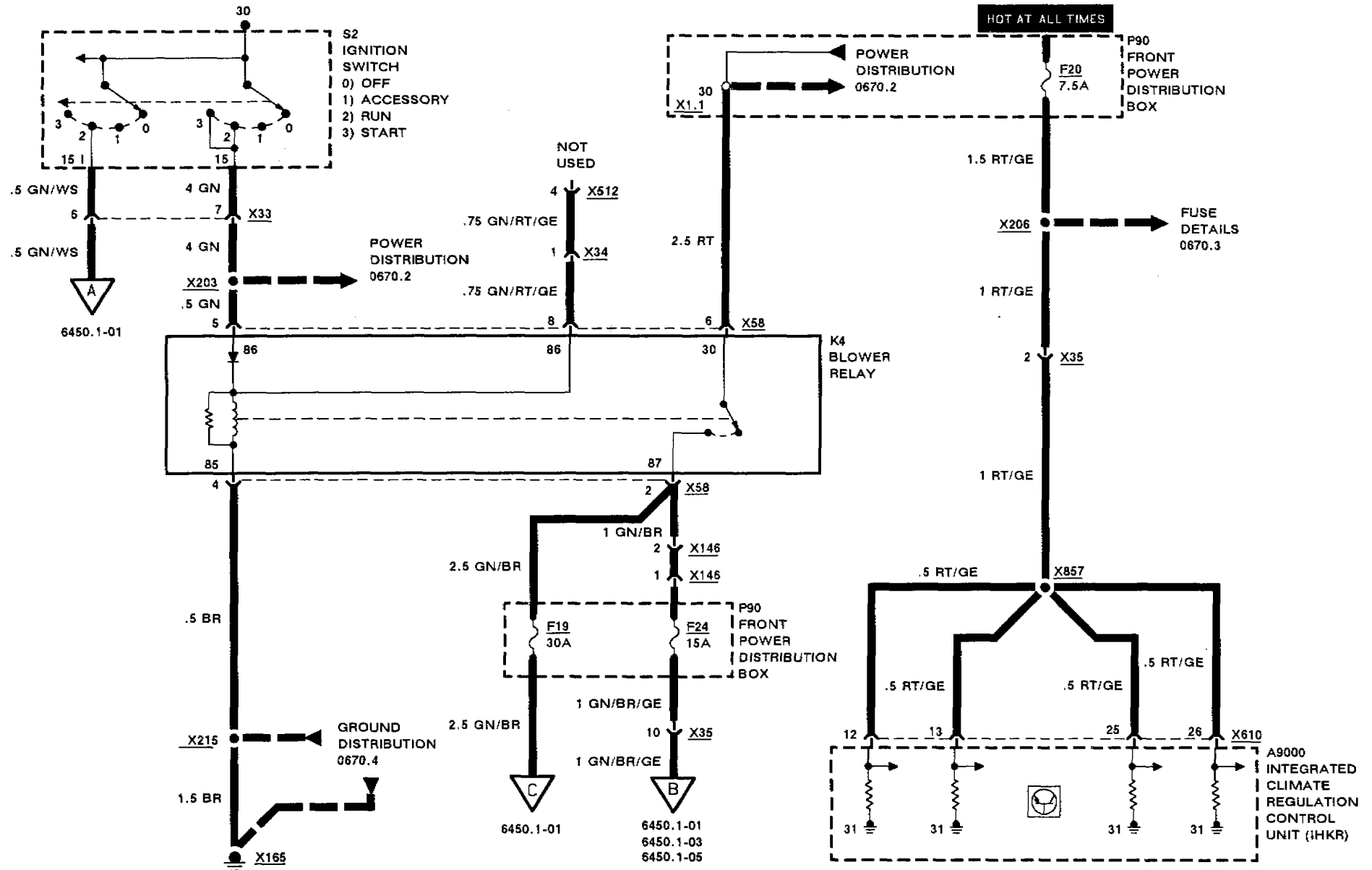
GLOVE BOX LIGHT/ CIGAR LIGHTER/ CHARGING PLUG





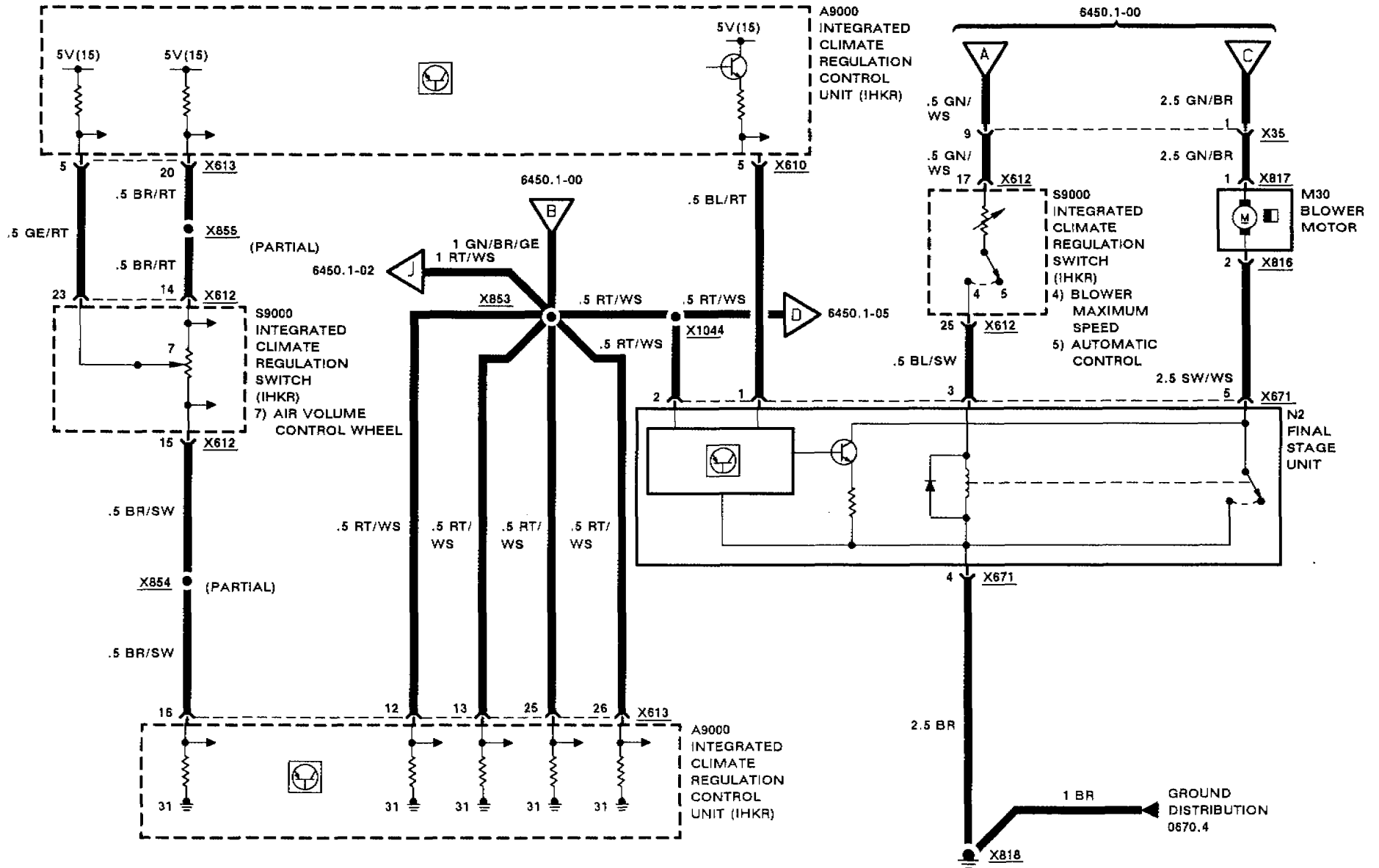
INTEGRATED CLIMATE REGULATION (IHKR)

POWER





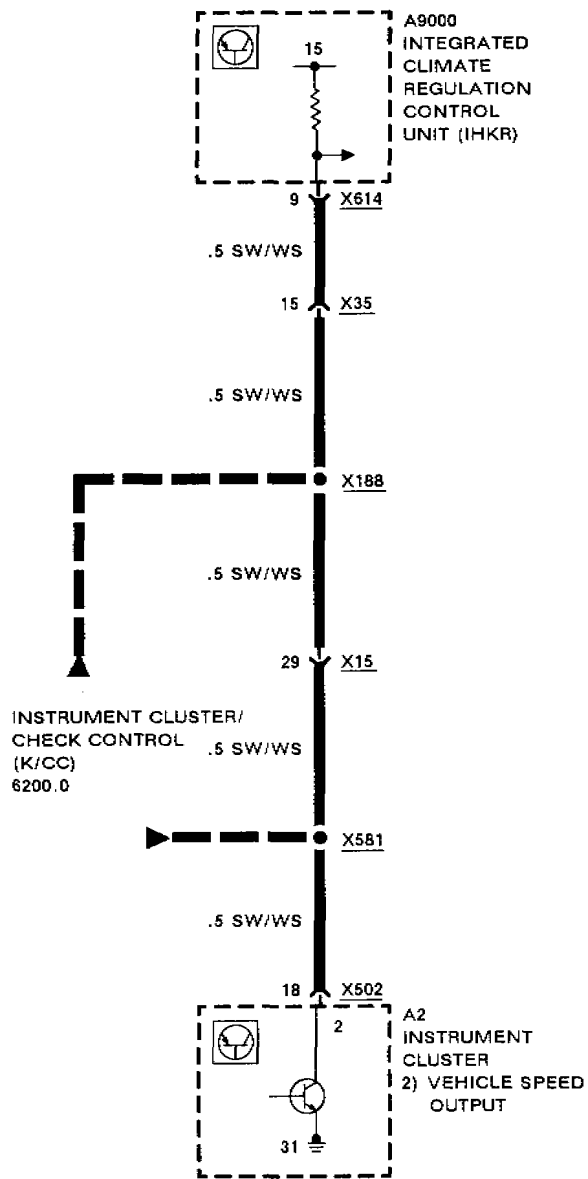
INTEGRATED CLIMATE REGULATION (IHKR) BLOWER CONTROLS



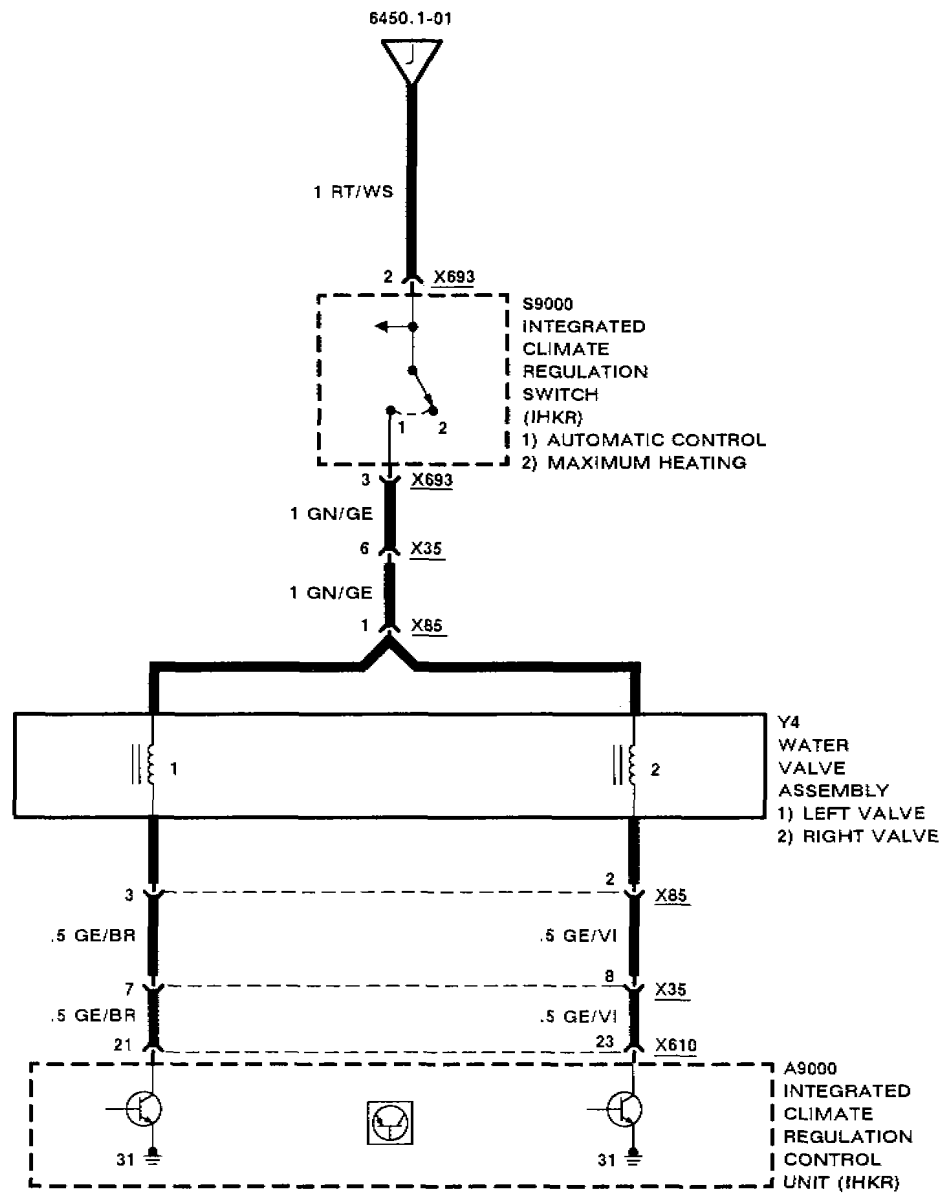


INTEGRATED CLIMATE REGULATION (IHKR)

BLOWER CONTROLS



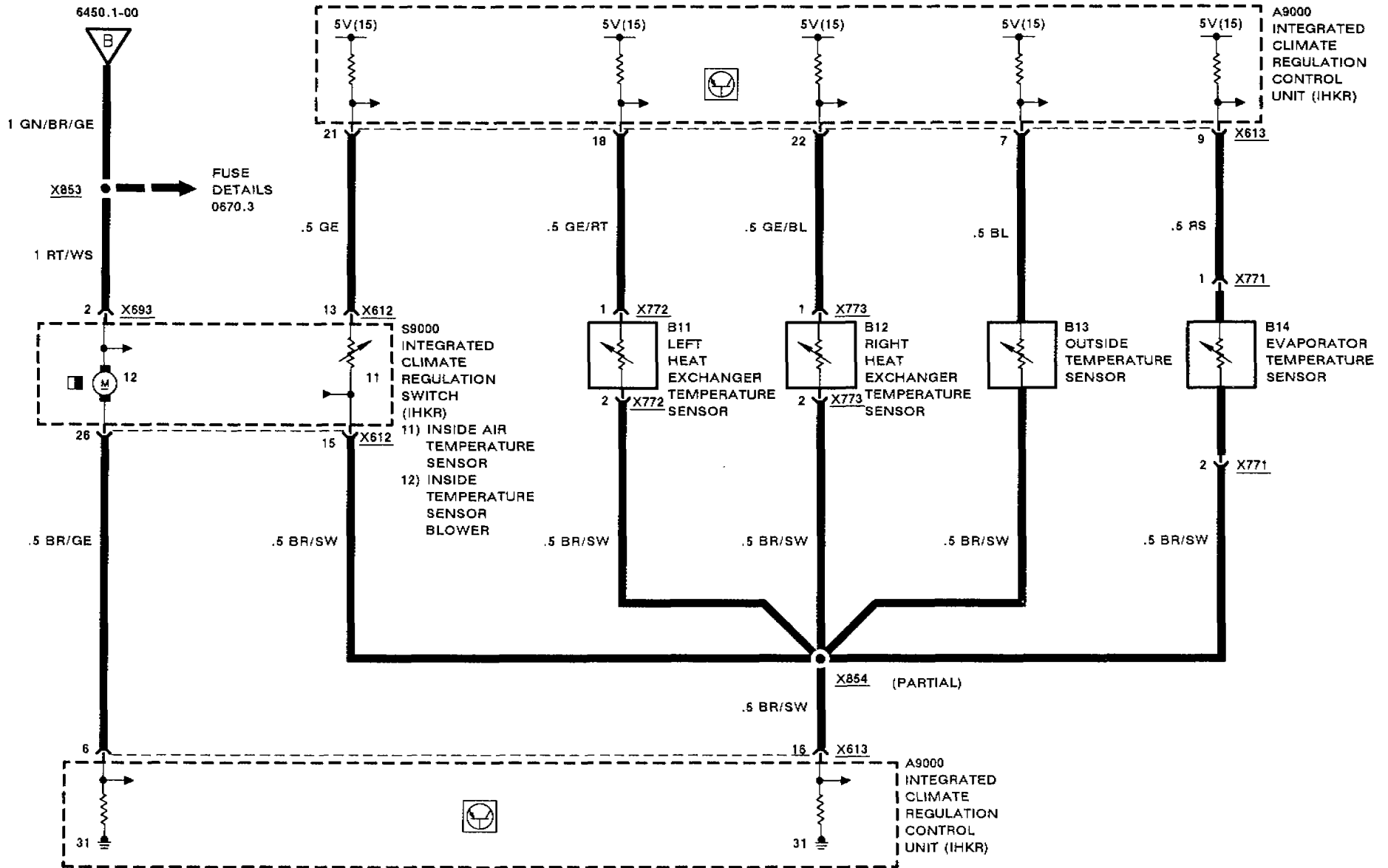
WATER VALVES





INTEGRATED CLIMATE REGULATION (IHKR)

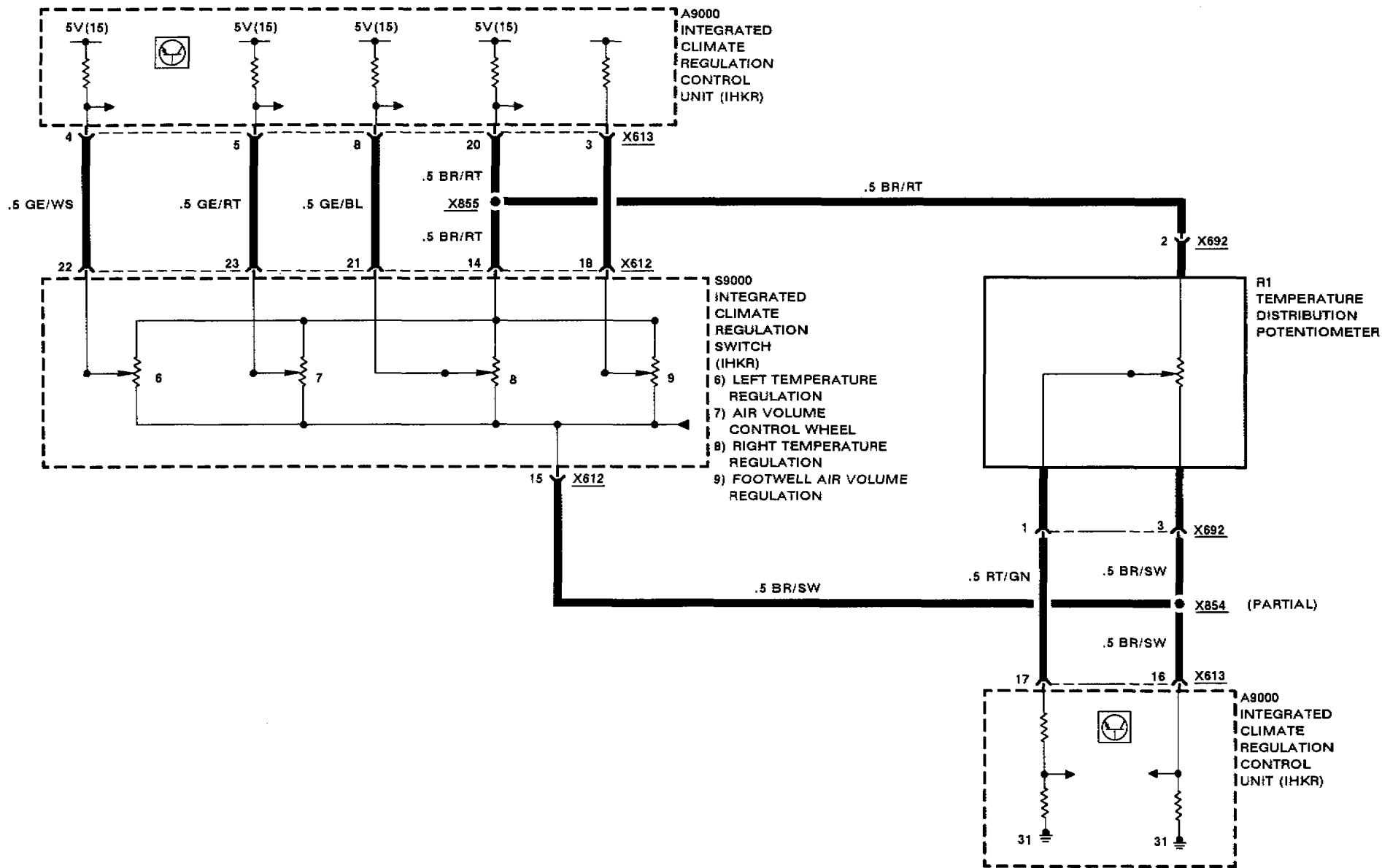
TEMPERATURE CONTROLS





INTEGRATED CLIMATE REGULATION (IHKR)

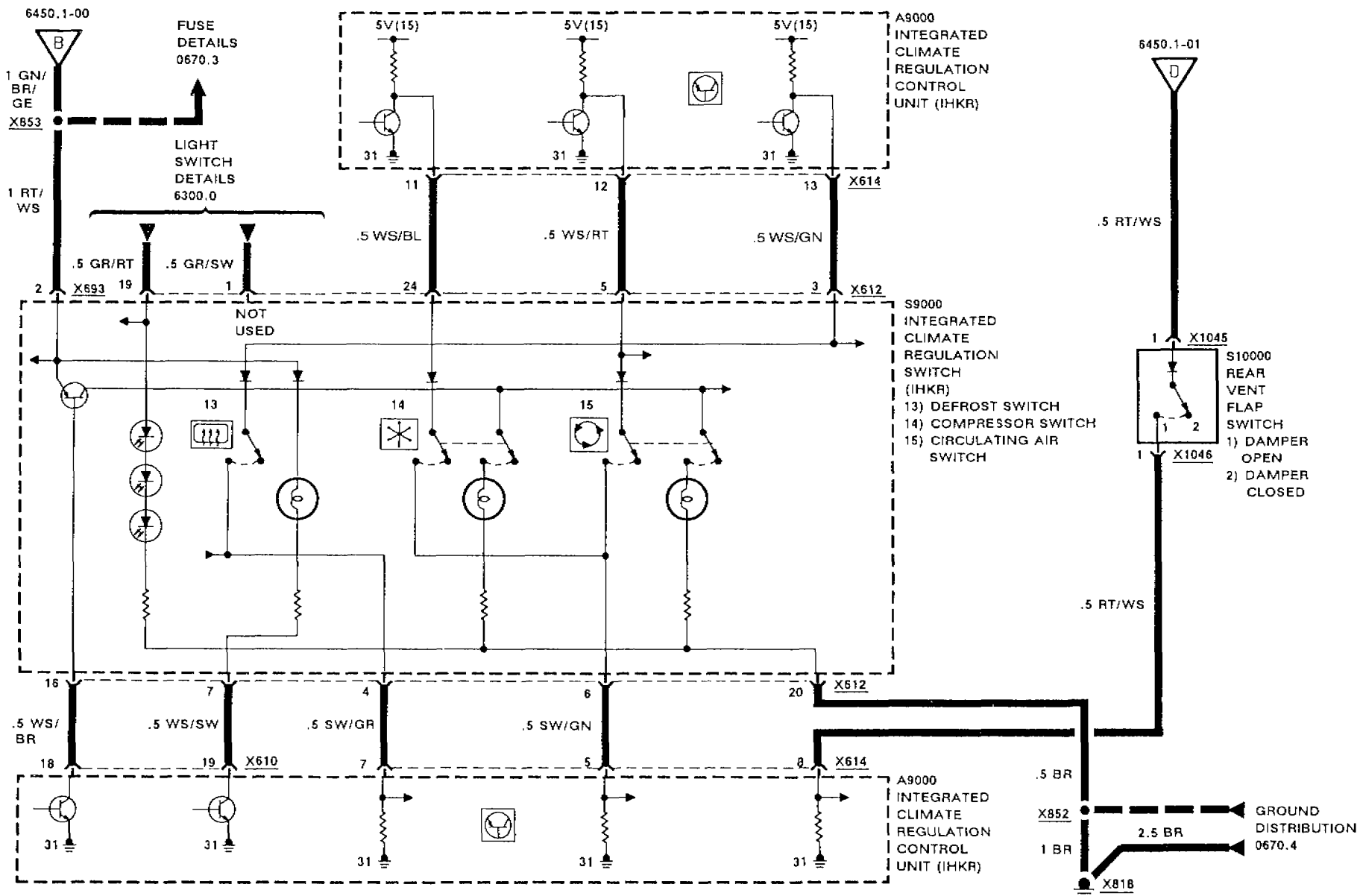
TEMPERATURE CONTROLS





INTEGRATED CLIMATE REGULATION (IHKR)

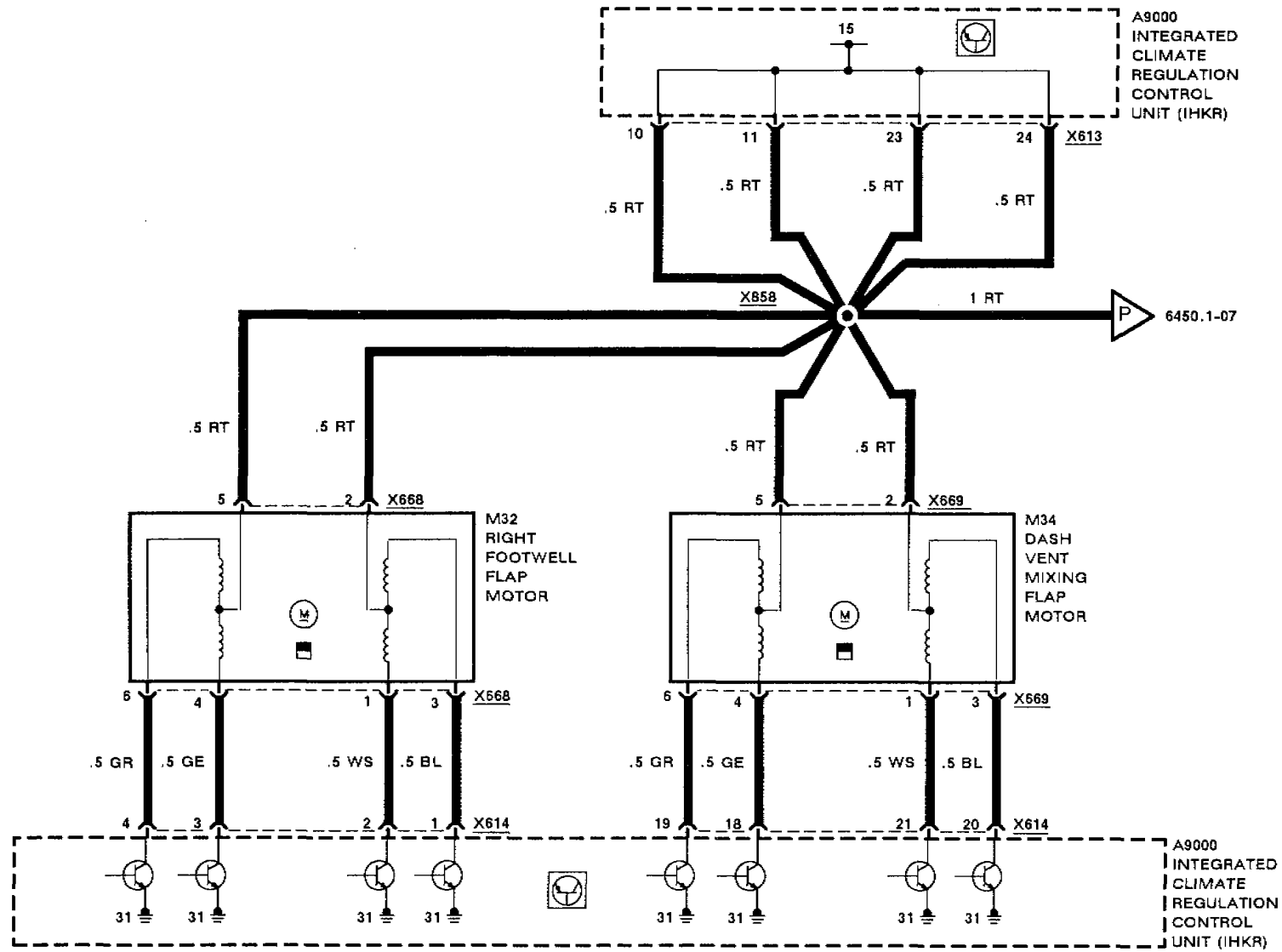
AIR DELIVERY





INTEGRATED CLIMATE REGULATION (IHKR)

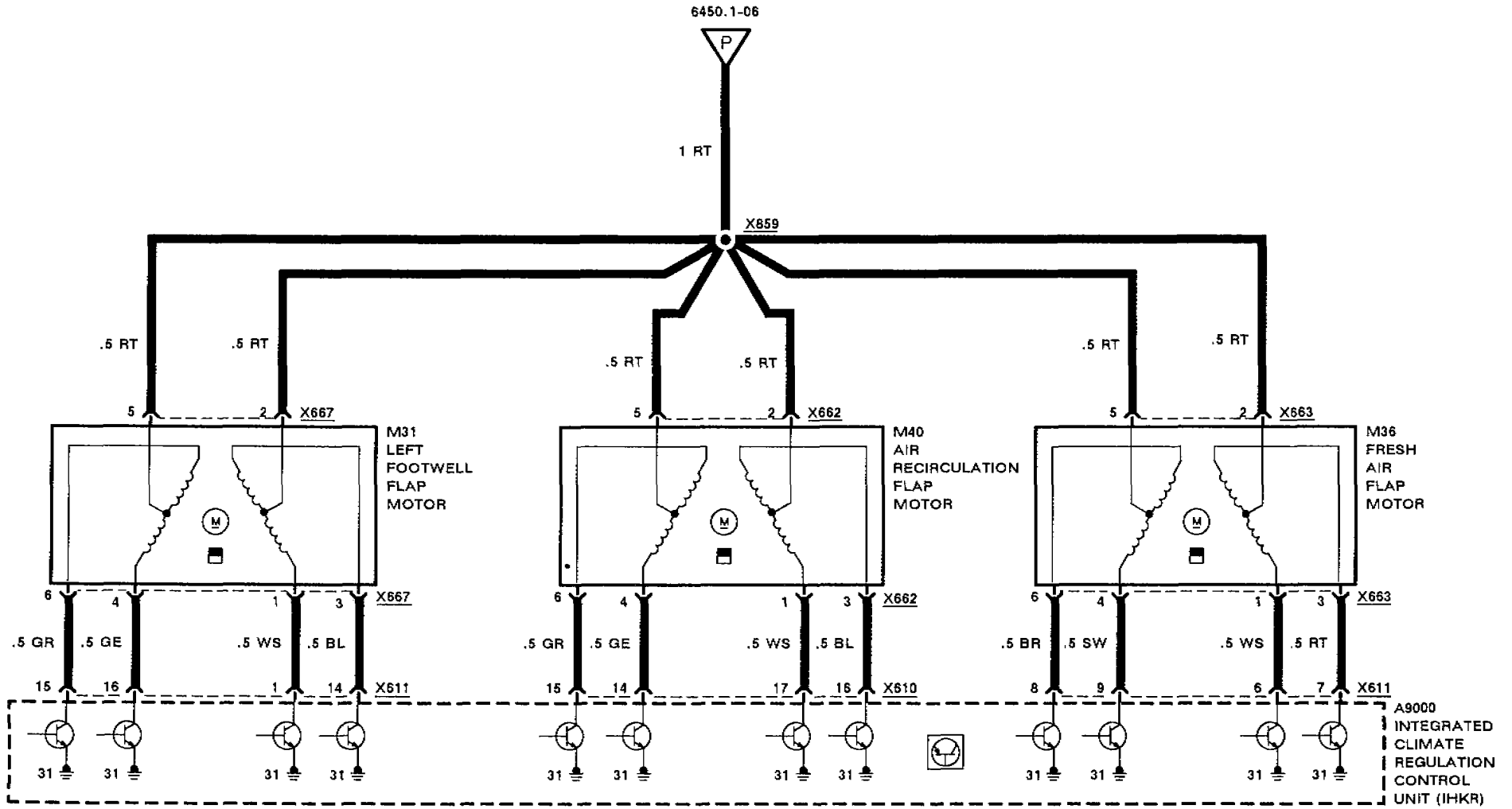
AIR DELIVERY





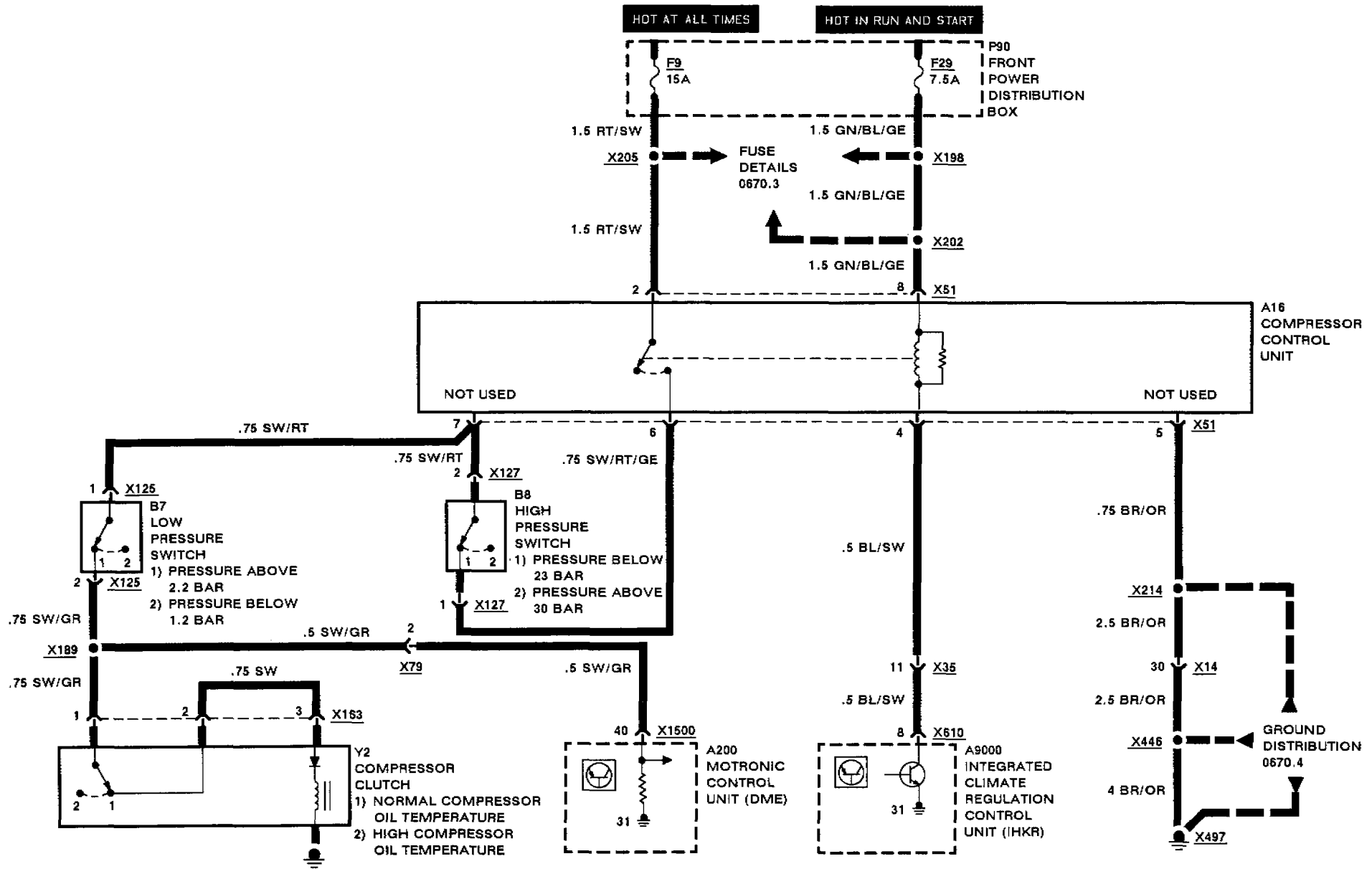
INTEGRATED CLIMATE REGULATION (IHKR)

AIR DELIVERY





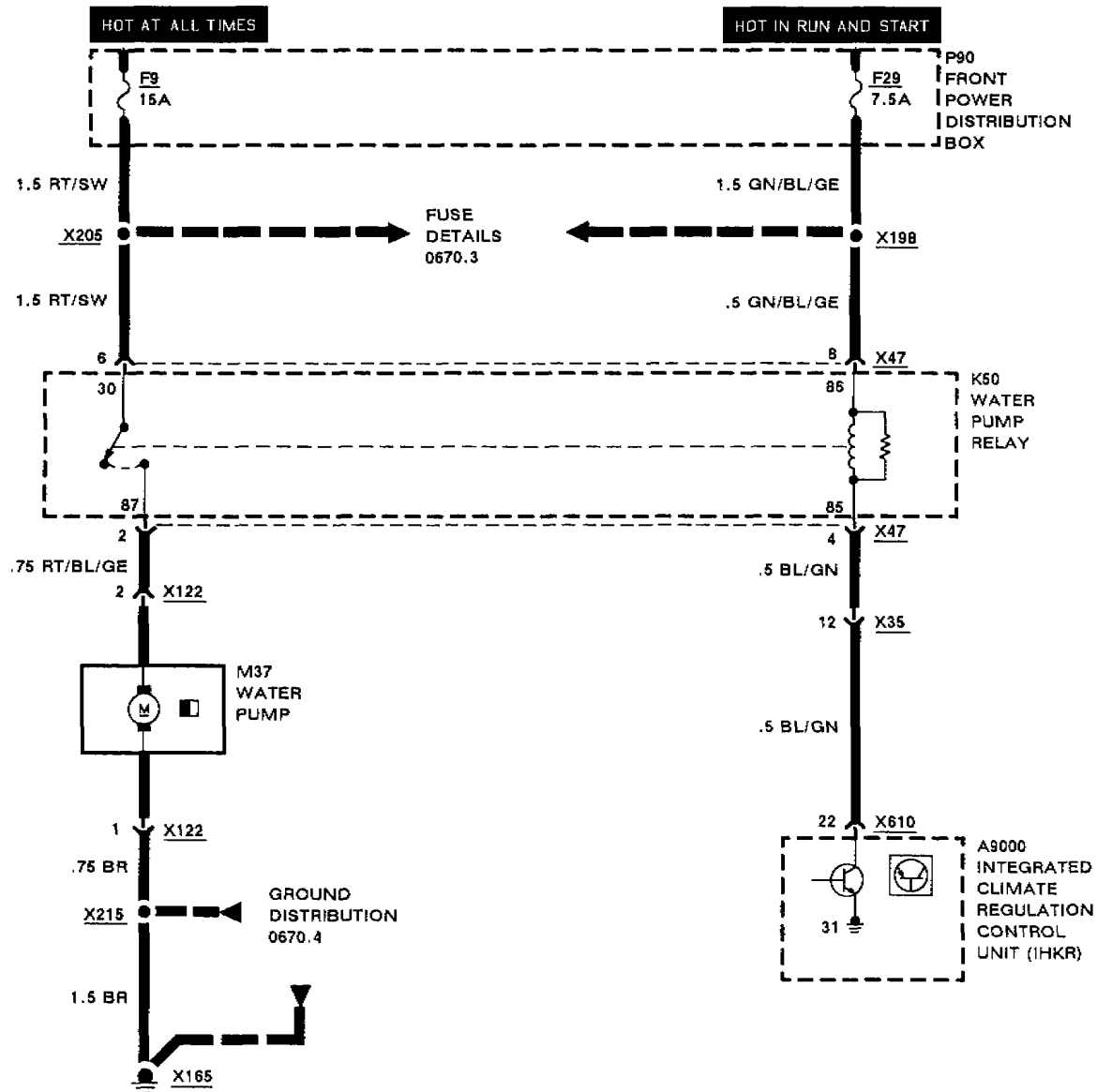
INTEGRATED CLIMATE REGULATION (IHKR) COMPRESSOR CONTROLS





INTEGRATED CLIMATE REGULATION (IHKR)

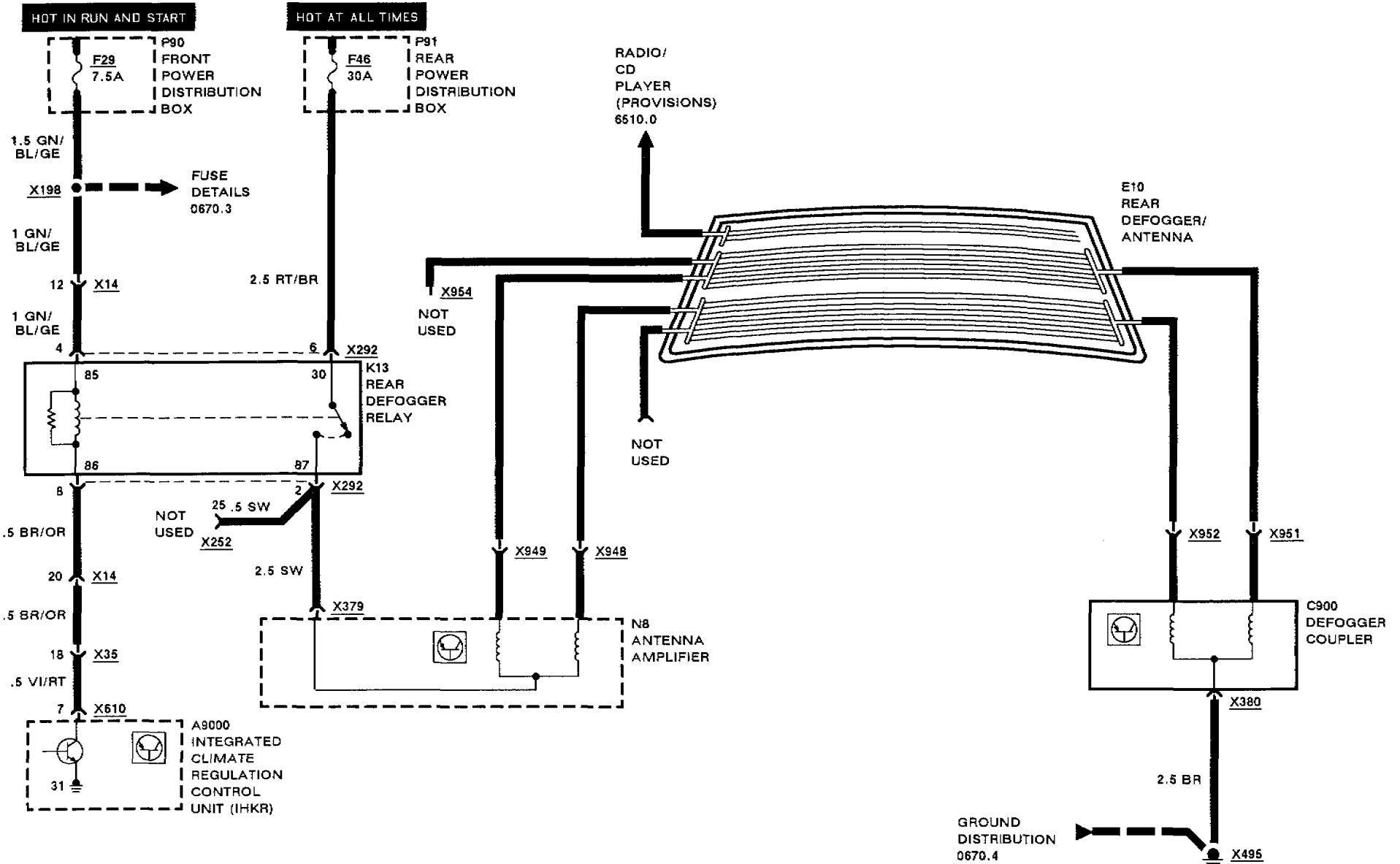
AUXILIARY WATER PUMP





INTEGRATED CLIMATE REGULATION (IHKR)

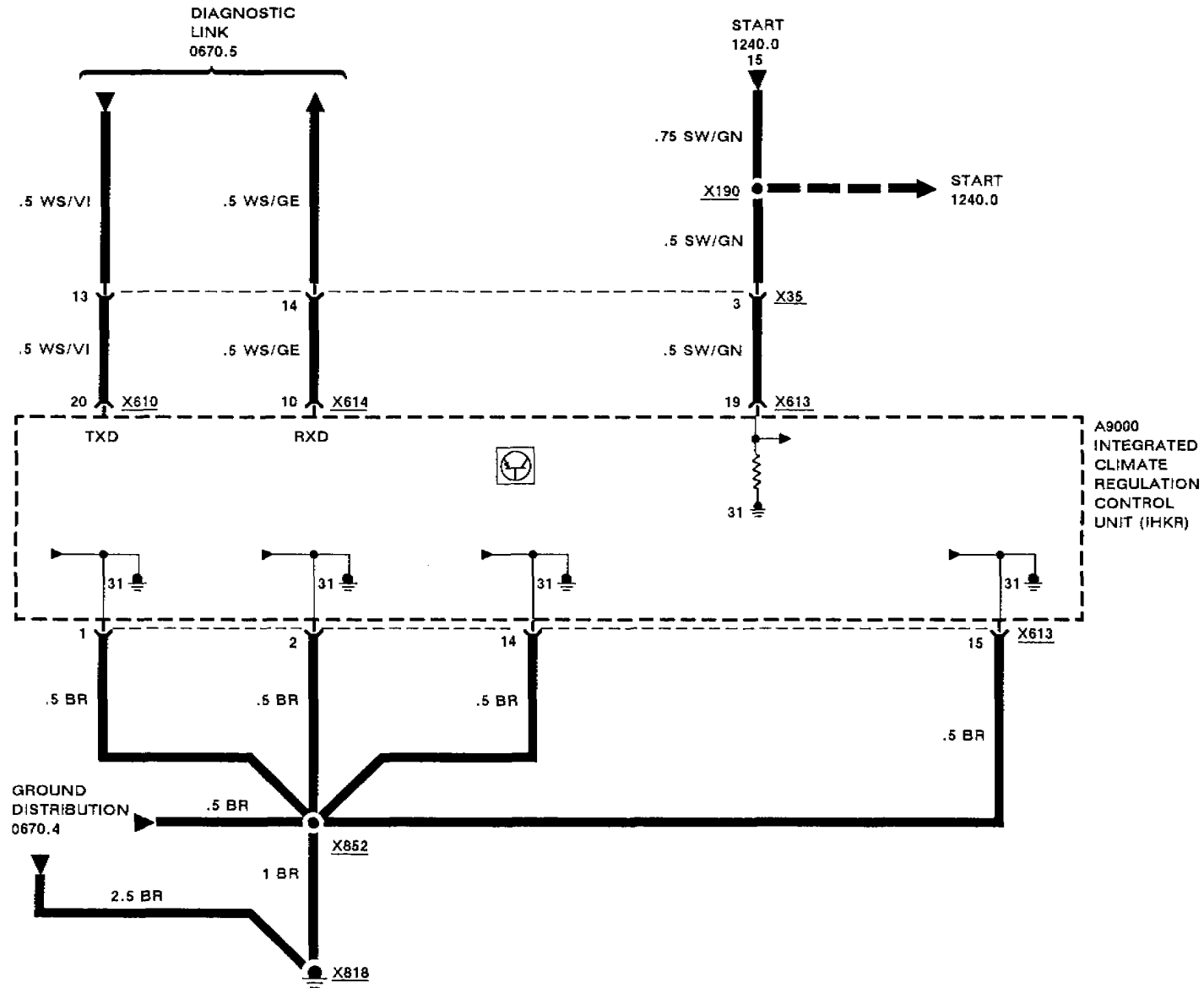
REAR WINDOW DEFOGGER



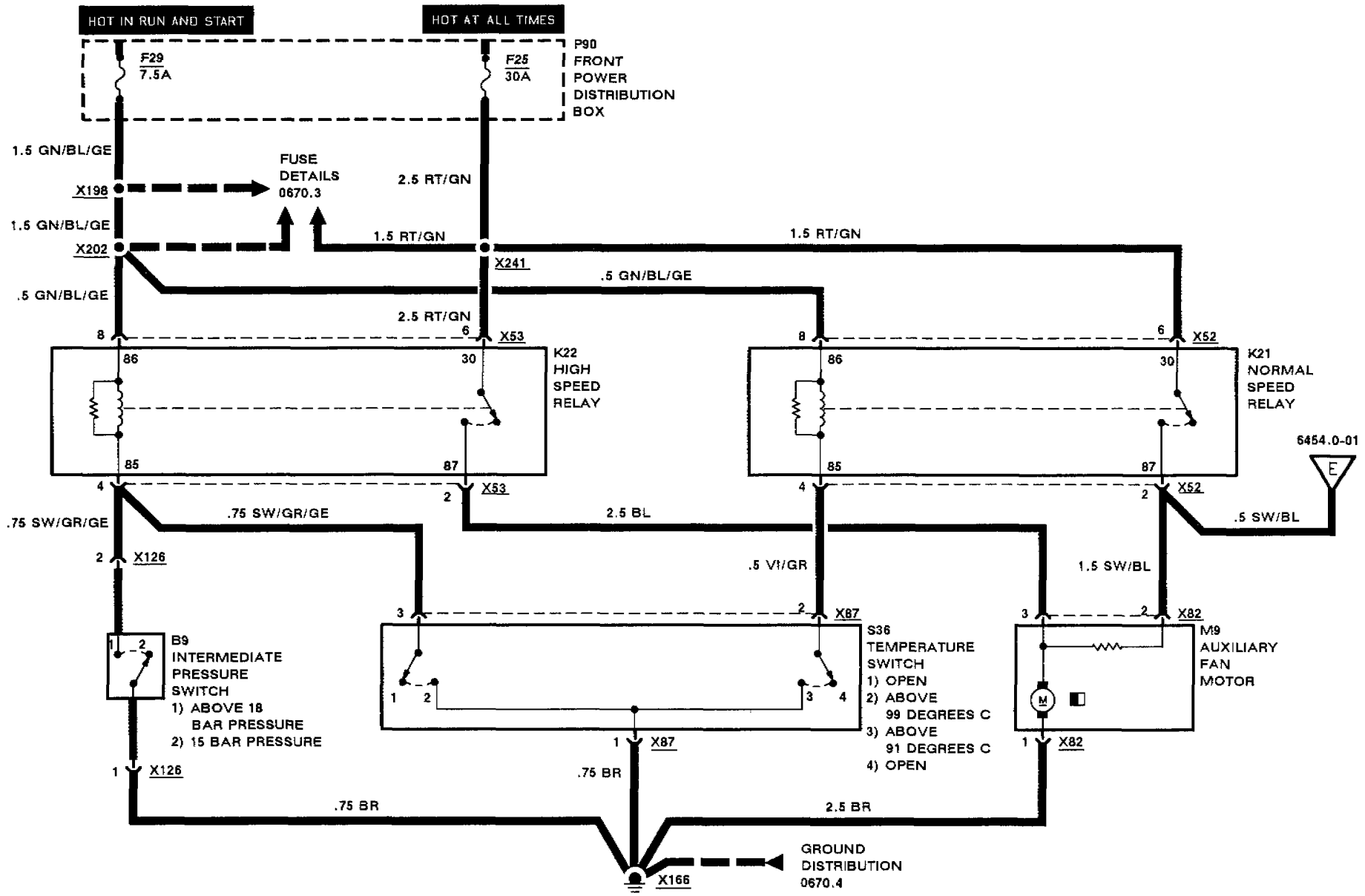


INTEGRATED CLIMATE REGULATION (IHKR)

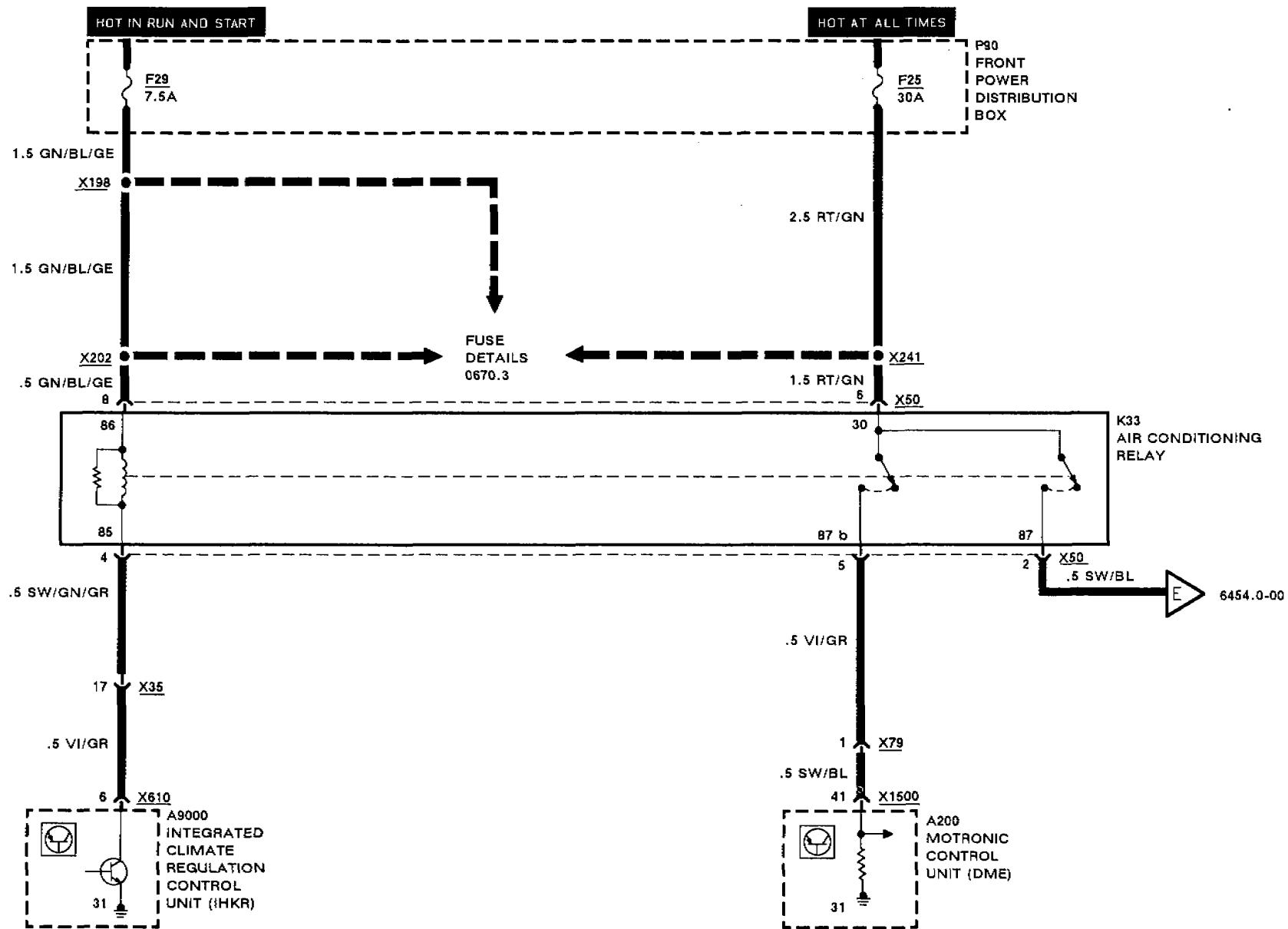
DIAGNOSTIC LINK AND STARTER INPUT



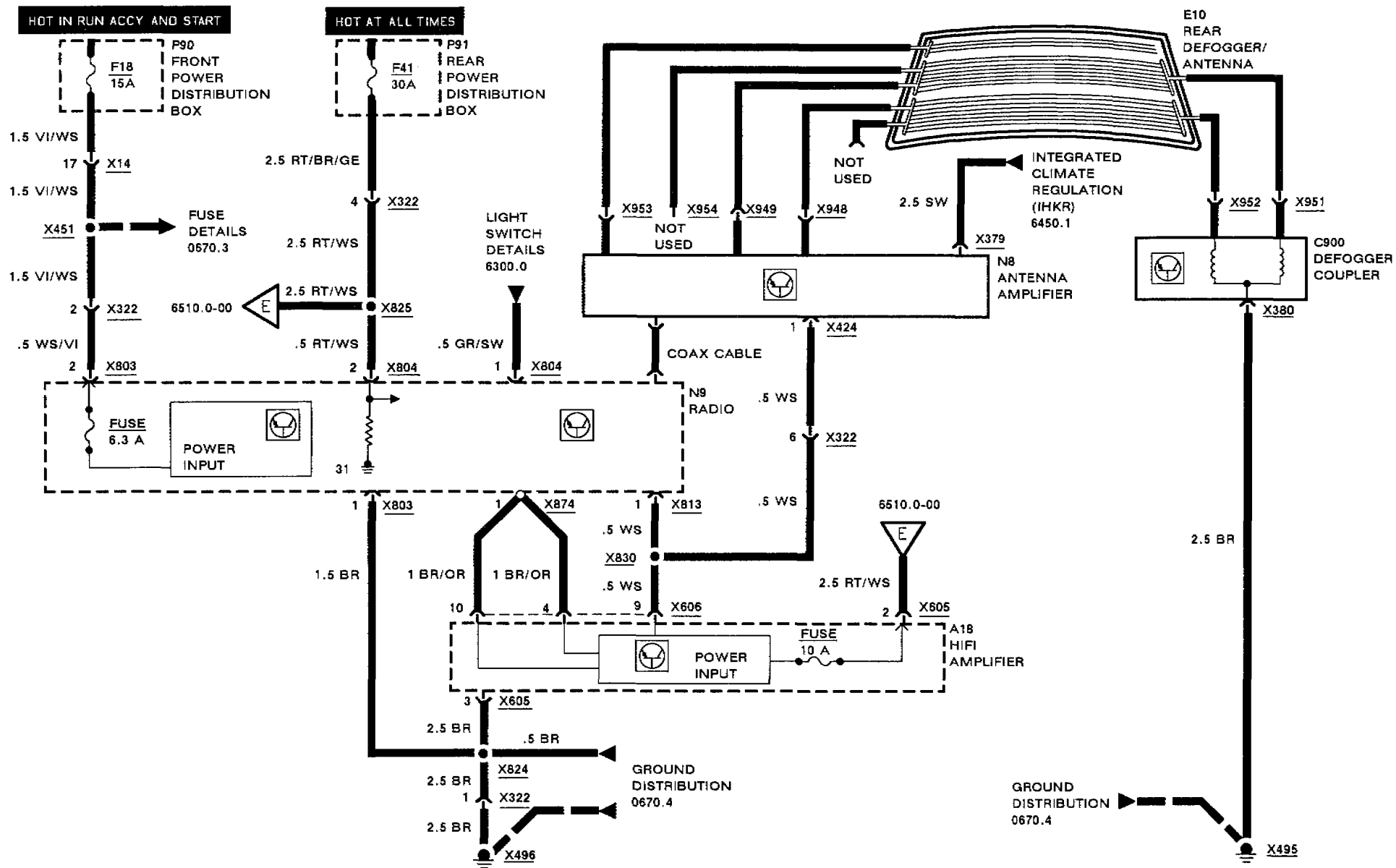
AUXILIARY FAN



AUXILIARY FAN



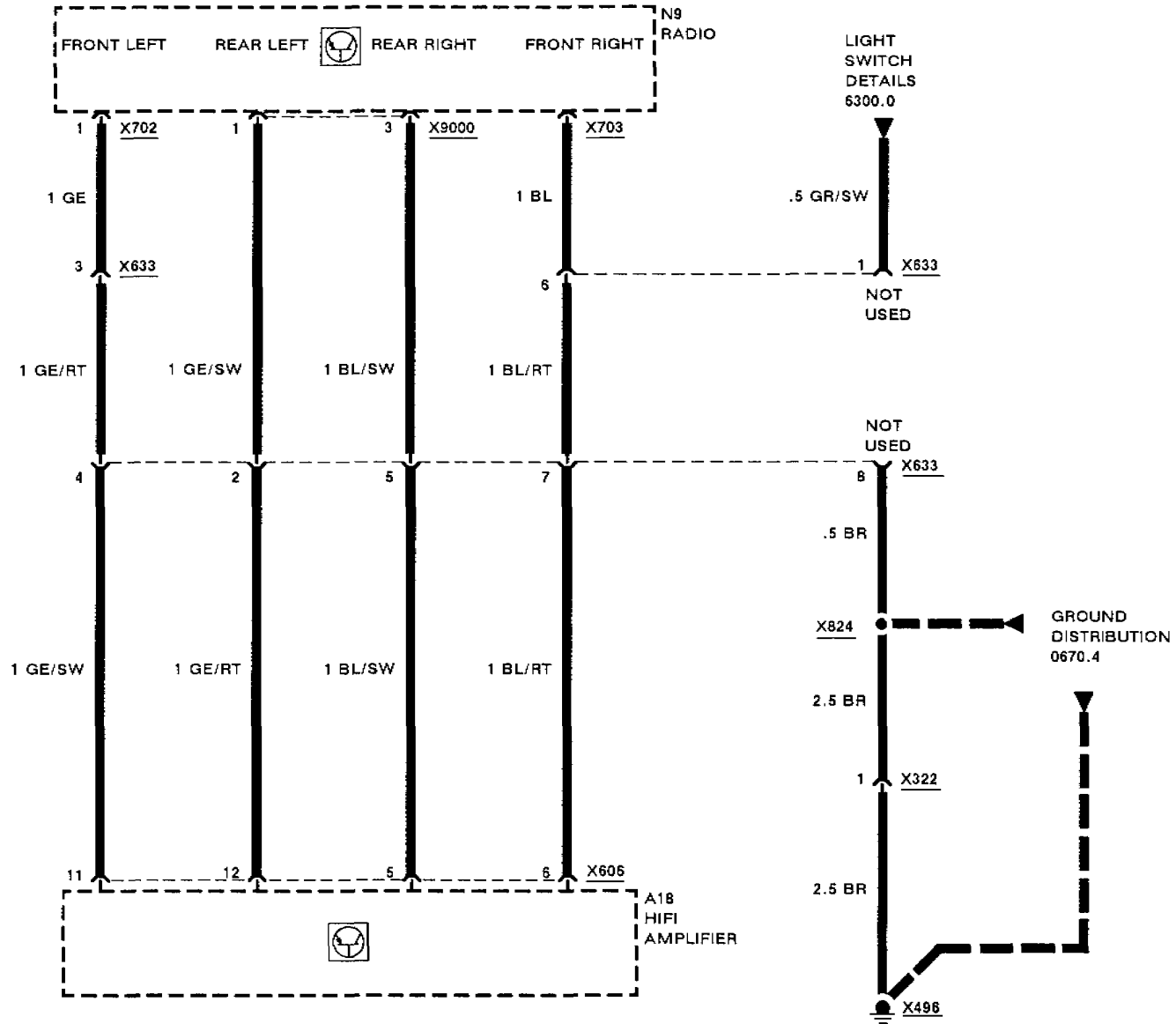
BMW 5 **RADIO/ CD PLAYER (PROVISIONS)**
HIFI, TEN SPEAKER SYSTEM





RADIO/ CD PLAYER (PROVISIONS)

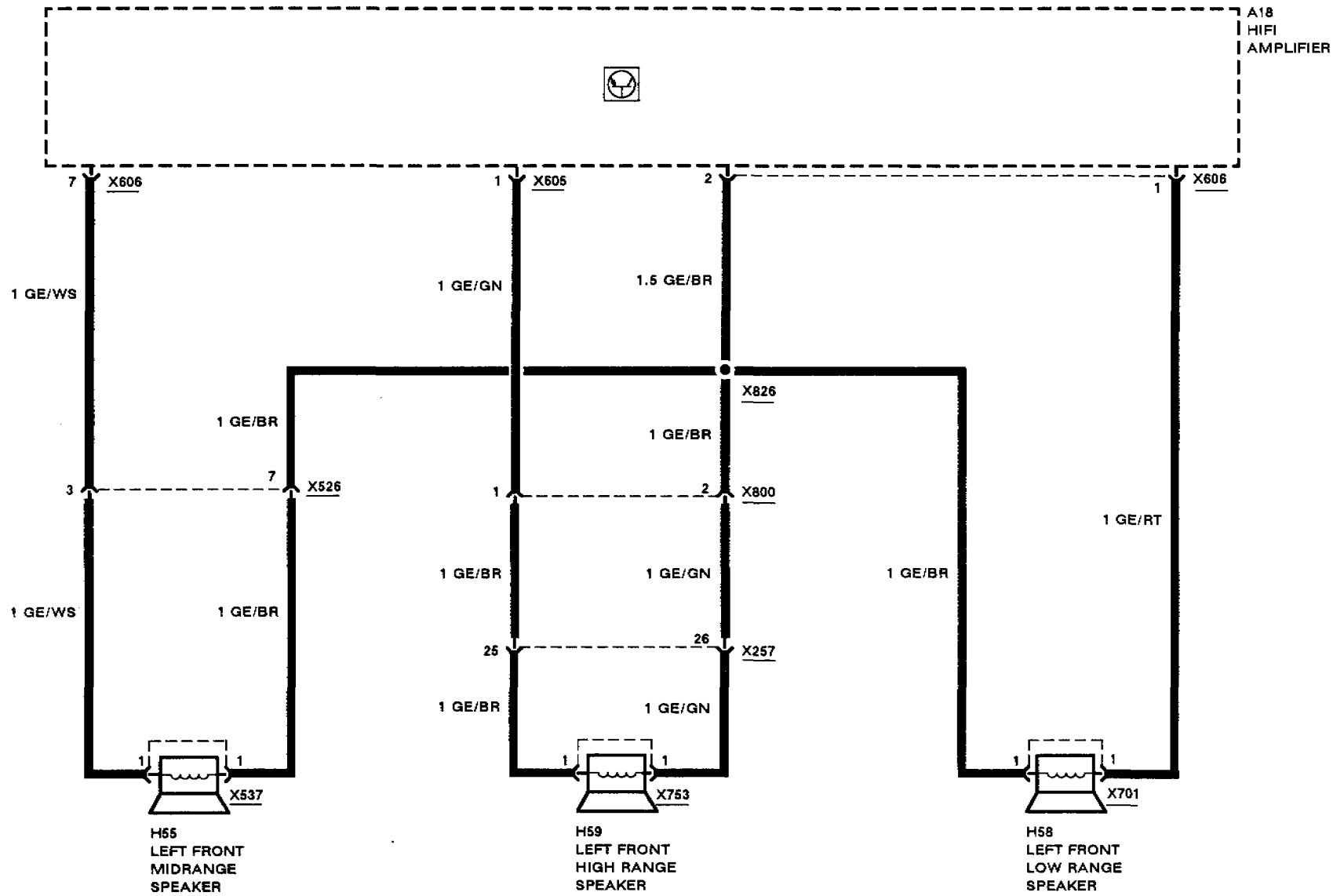
HIFI, TEN SPEAKER SYSTEM





RADIO/ CD PLAYER (PROVISIONS)

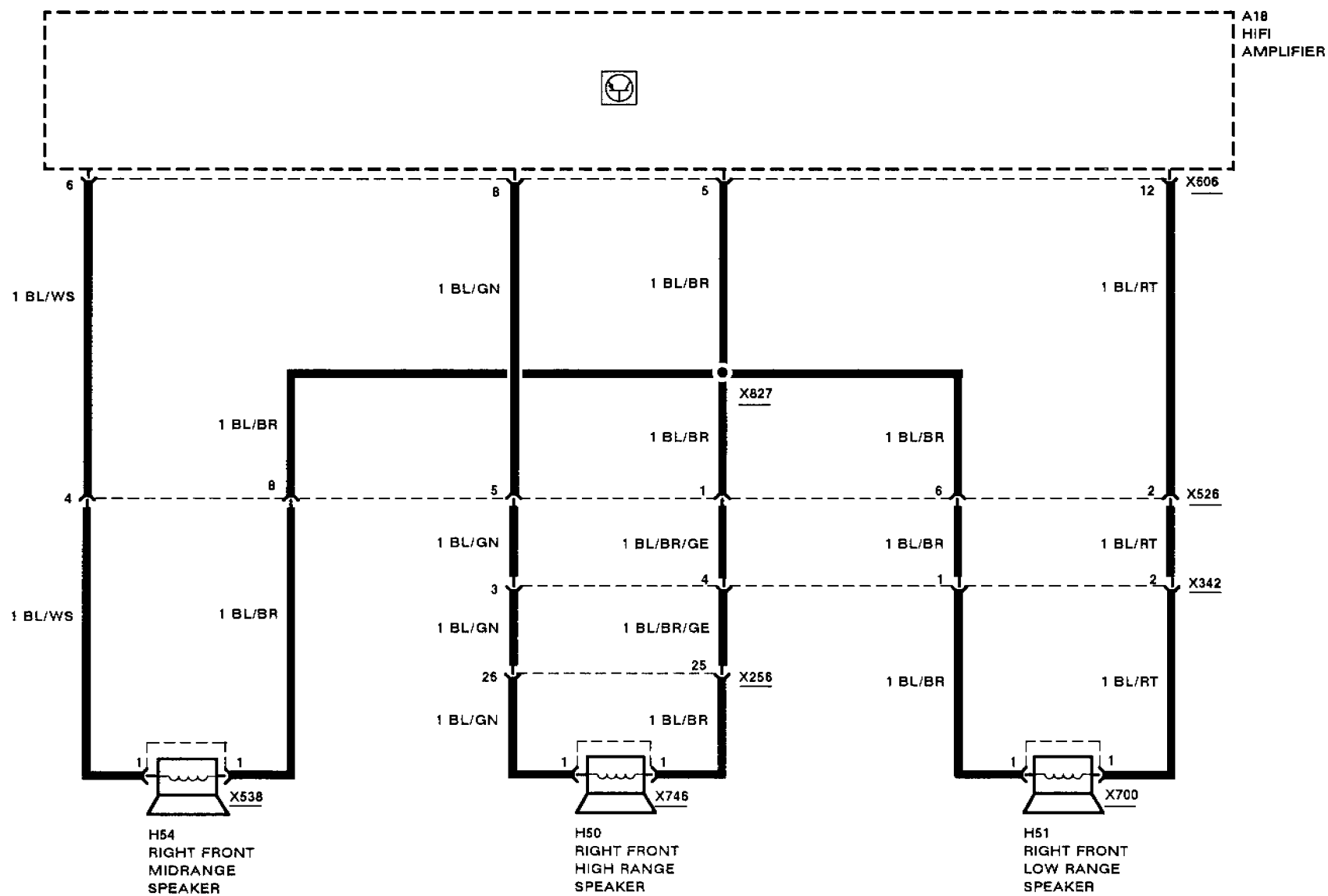
HIFI, TEN SPEAKER SYSTEM





RADIO/ CD PLAYER (PROVISIONS)

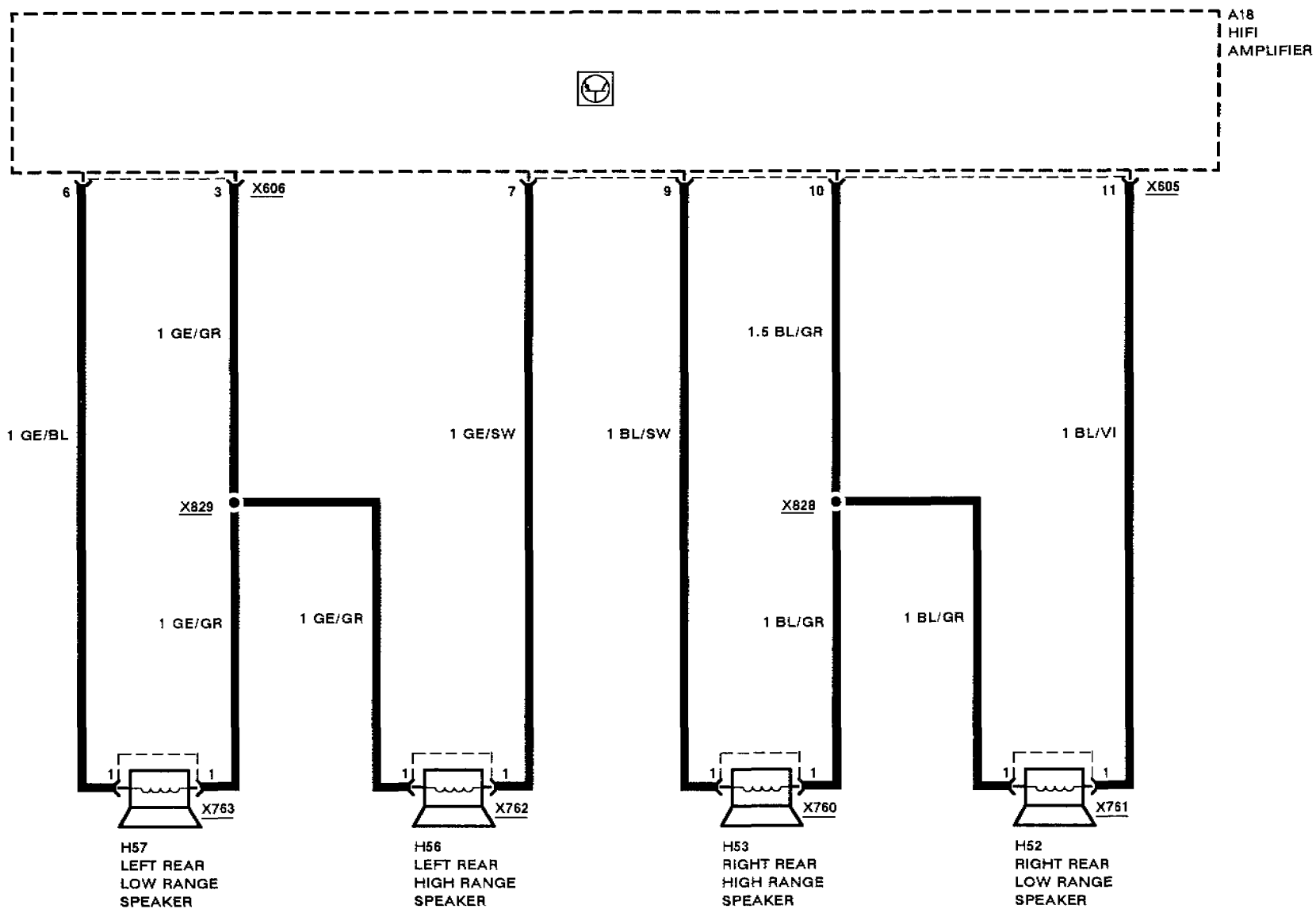
HIFI, TEN SPEAKER SYSTEM





RADIO/ CD PLAYER (PROVISIONS)

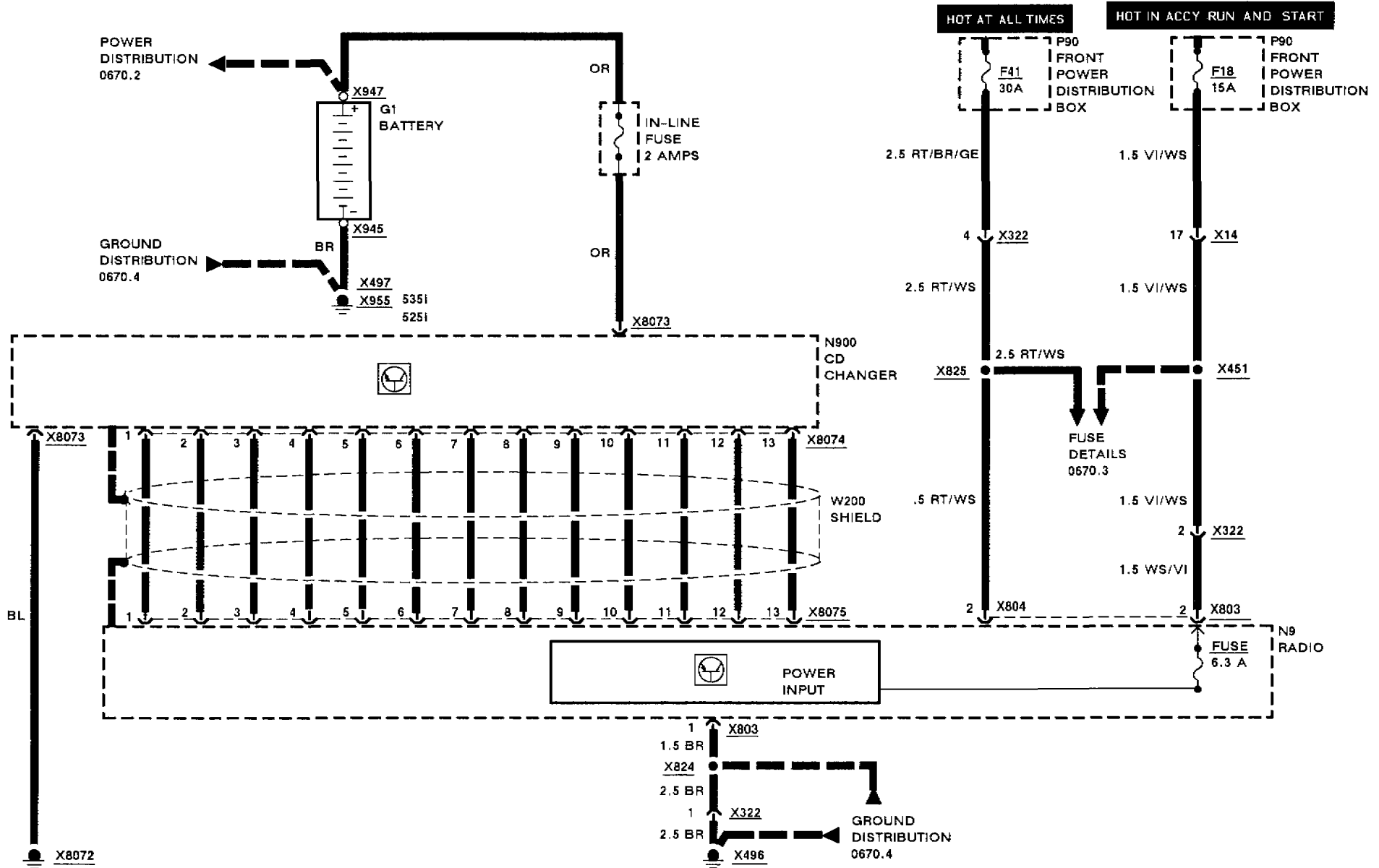
HIFI, TEN SPEAKER SYSTEM





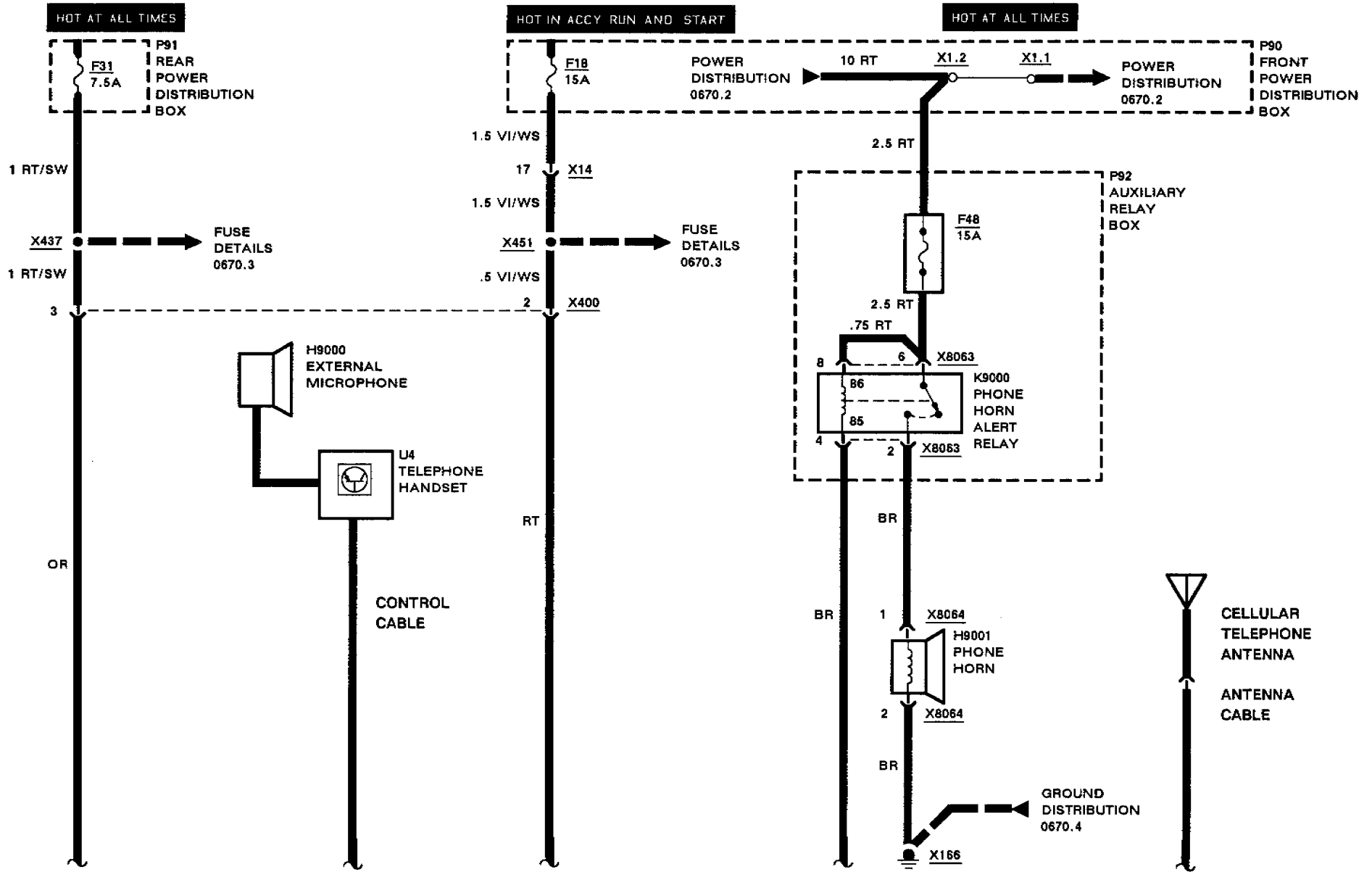
RADIO/ CD PLAYER (PROVISIONS)

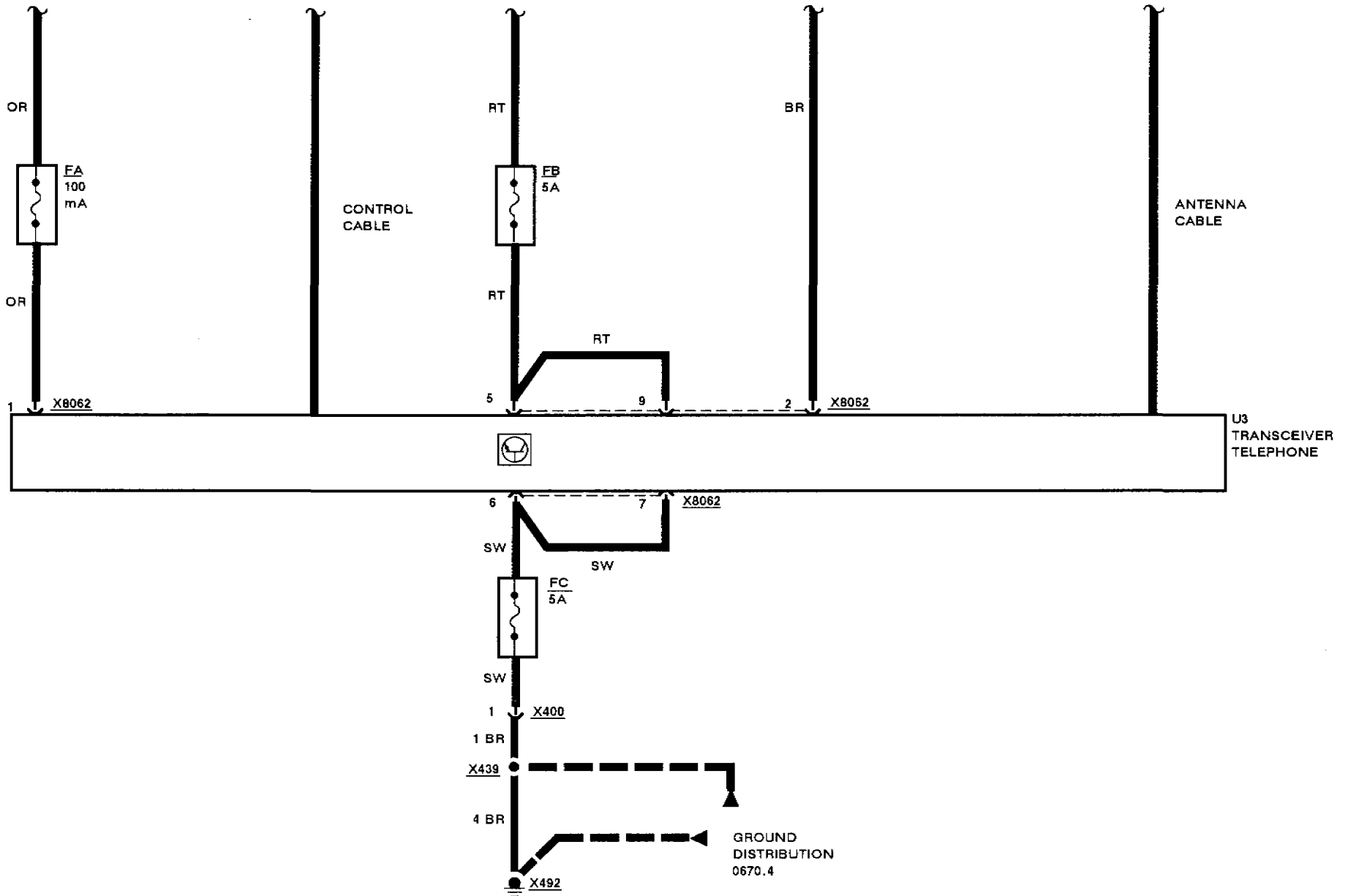
CD CHANGER (IF EQUIPPED)

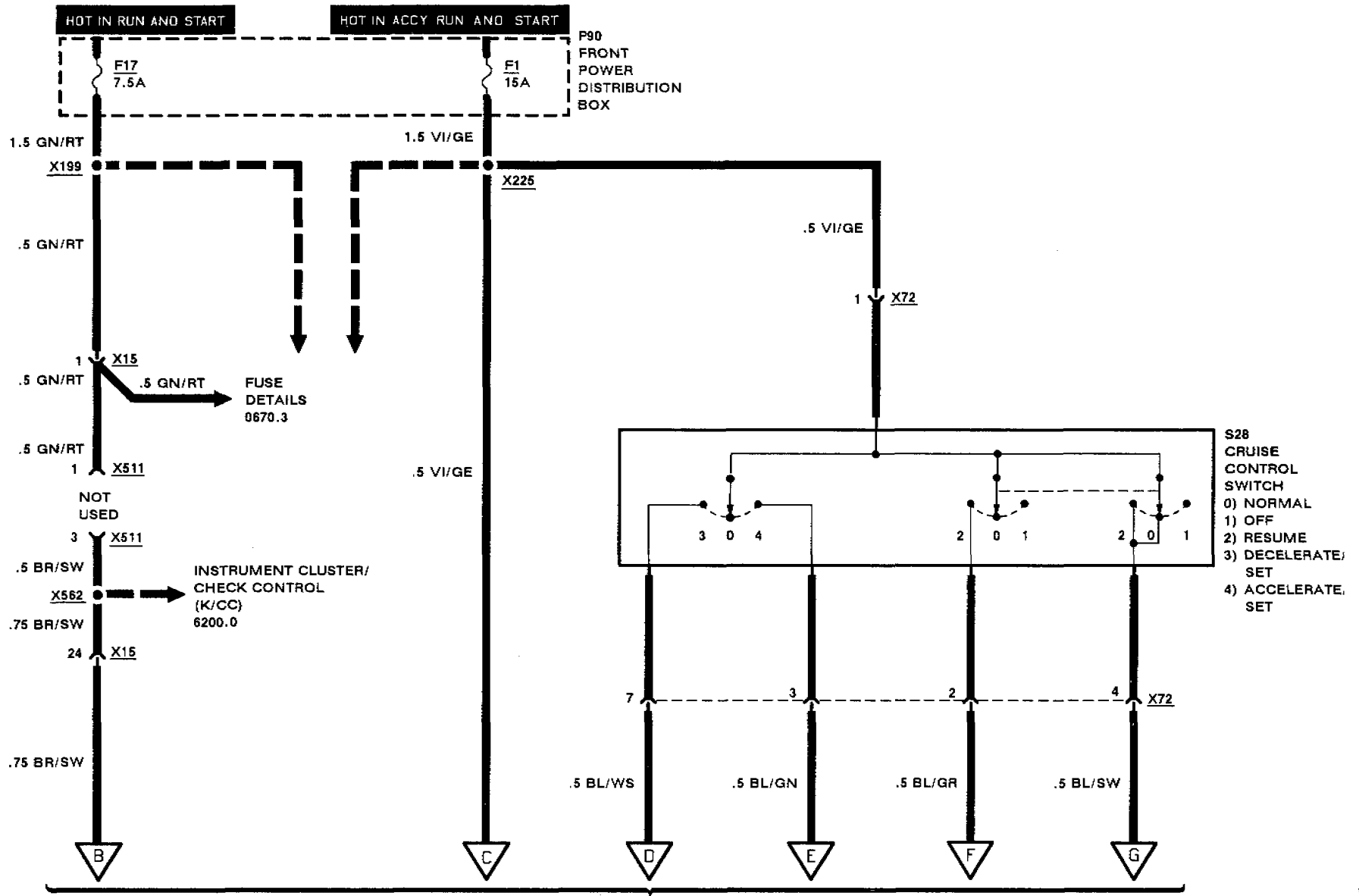




CELLULAR TELEPHONE (PROVISIONS)





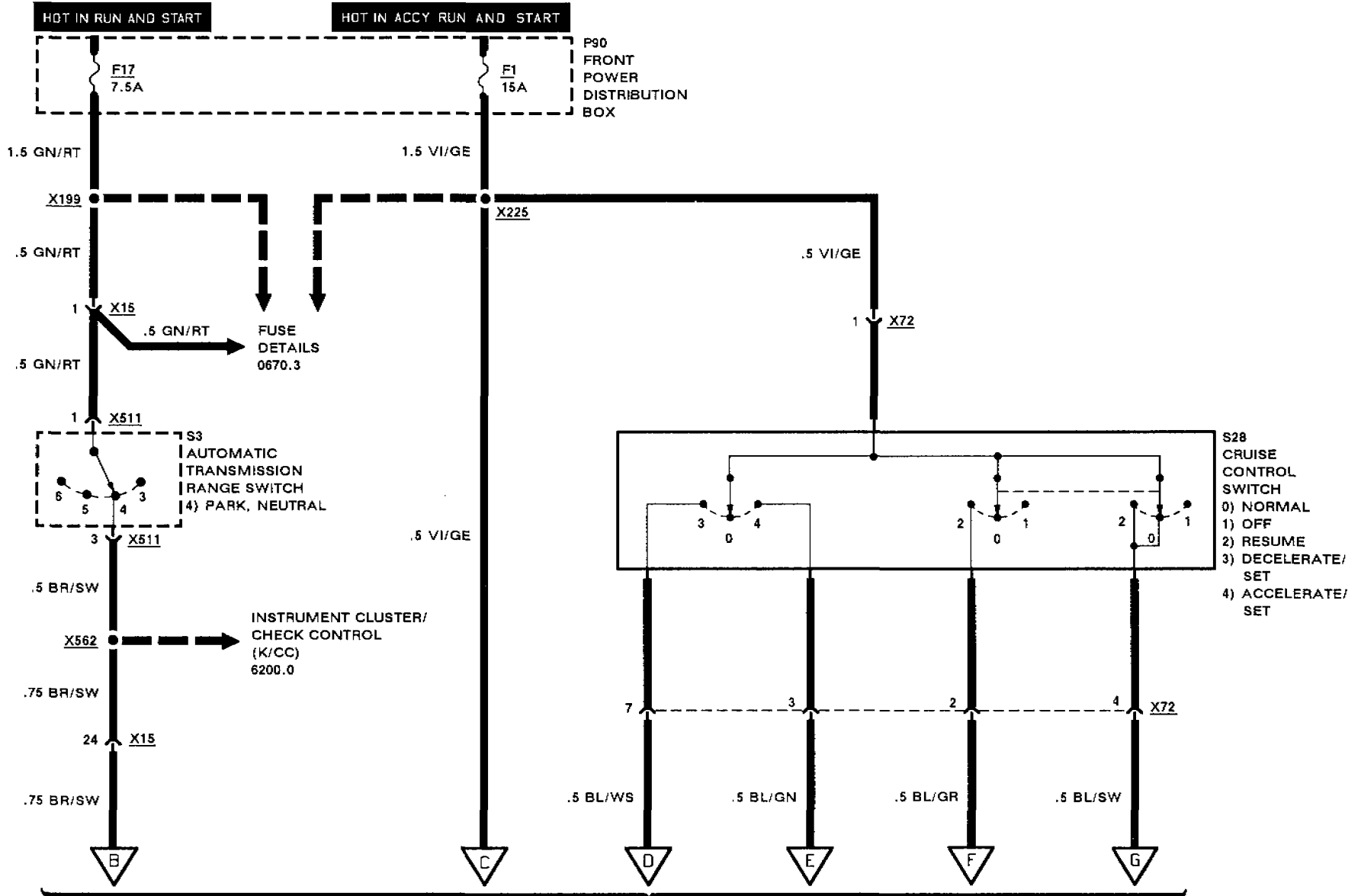


6571.0-02



CRUISE CONTROL (TEMPOMAT)

AUTOMATIC

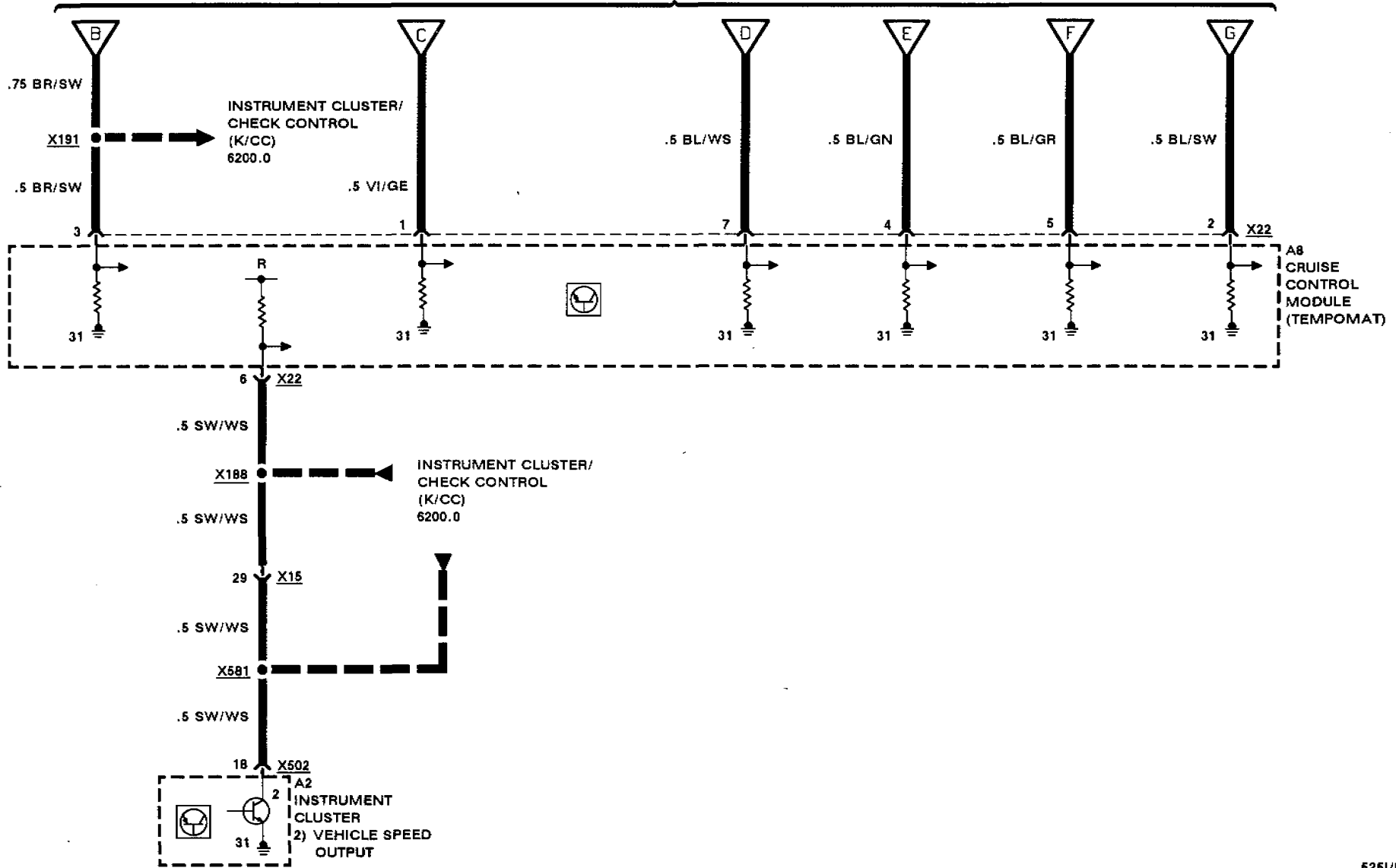


6571.0-02



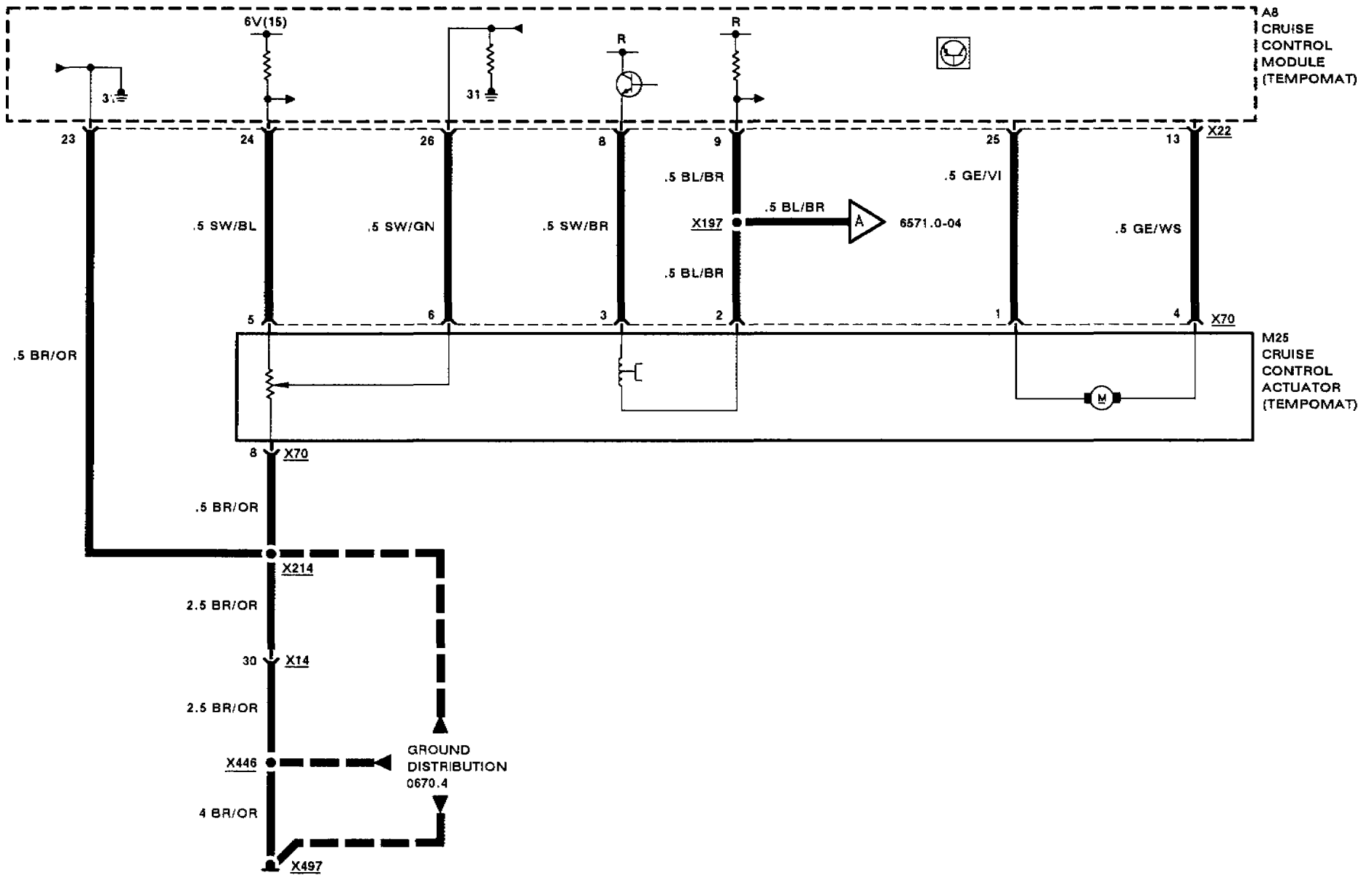
CRUISE CONTROL (TEMPOMAT)

6571.0-01
6571.0-00



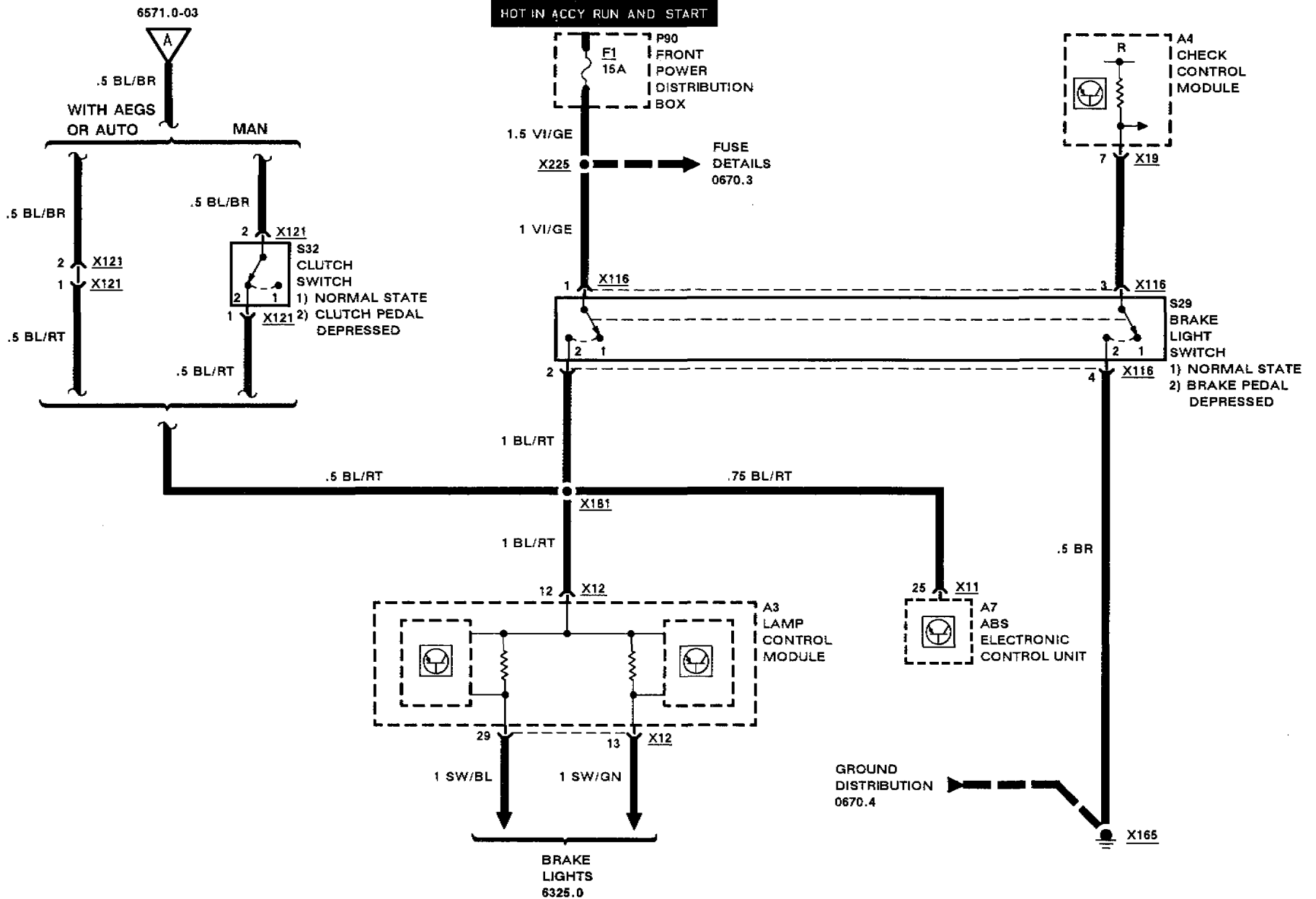


CRUISE CONTROL (TEMPOMAT)



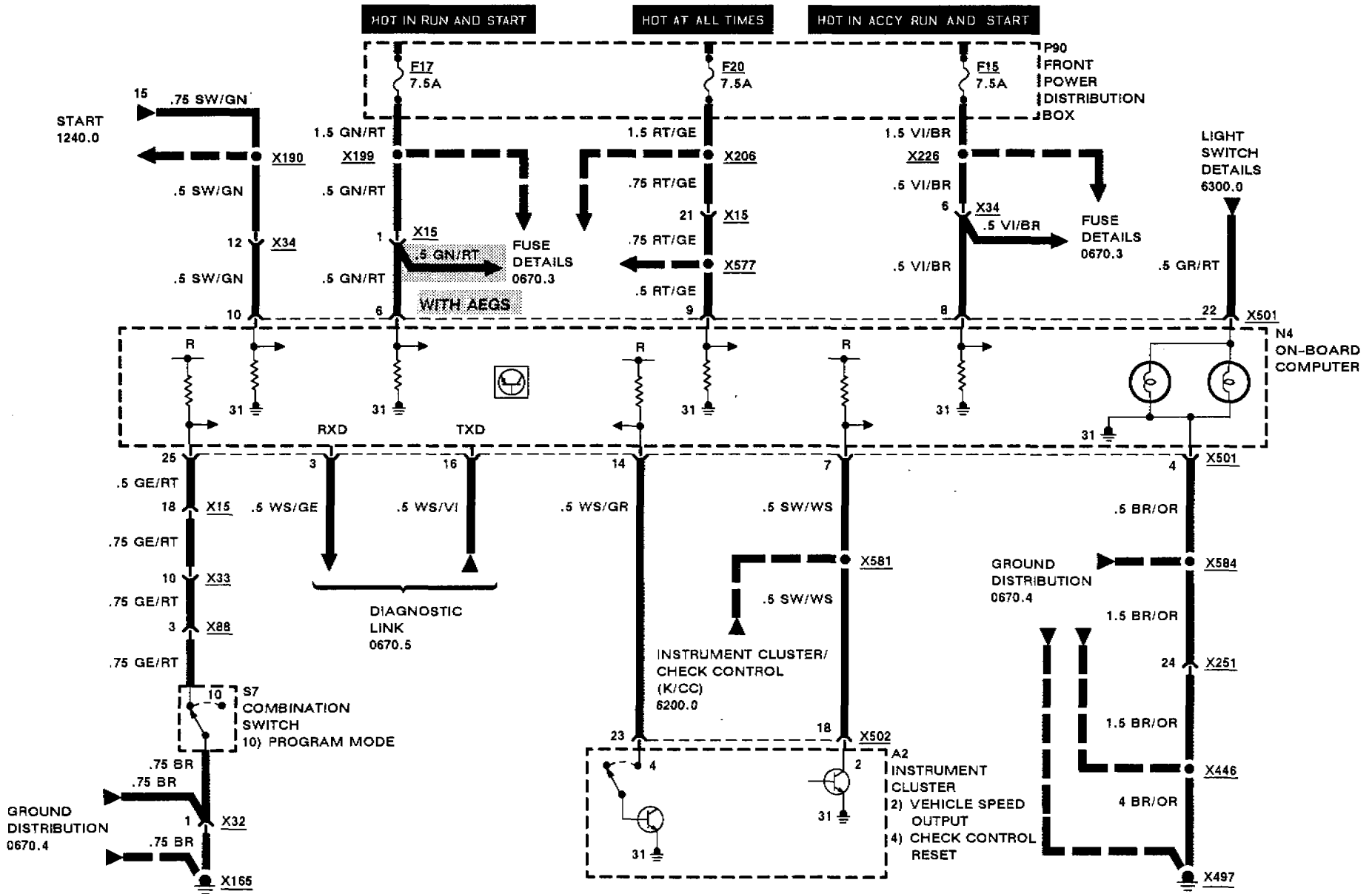


CRUISE CONTROL (TEMPOMAT)



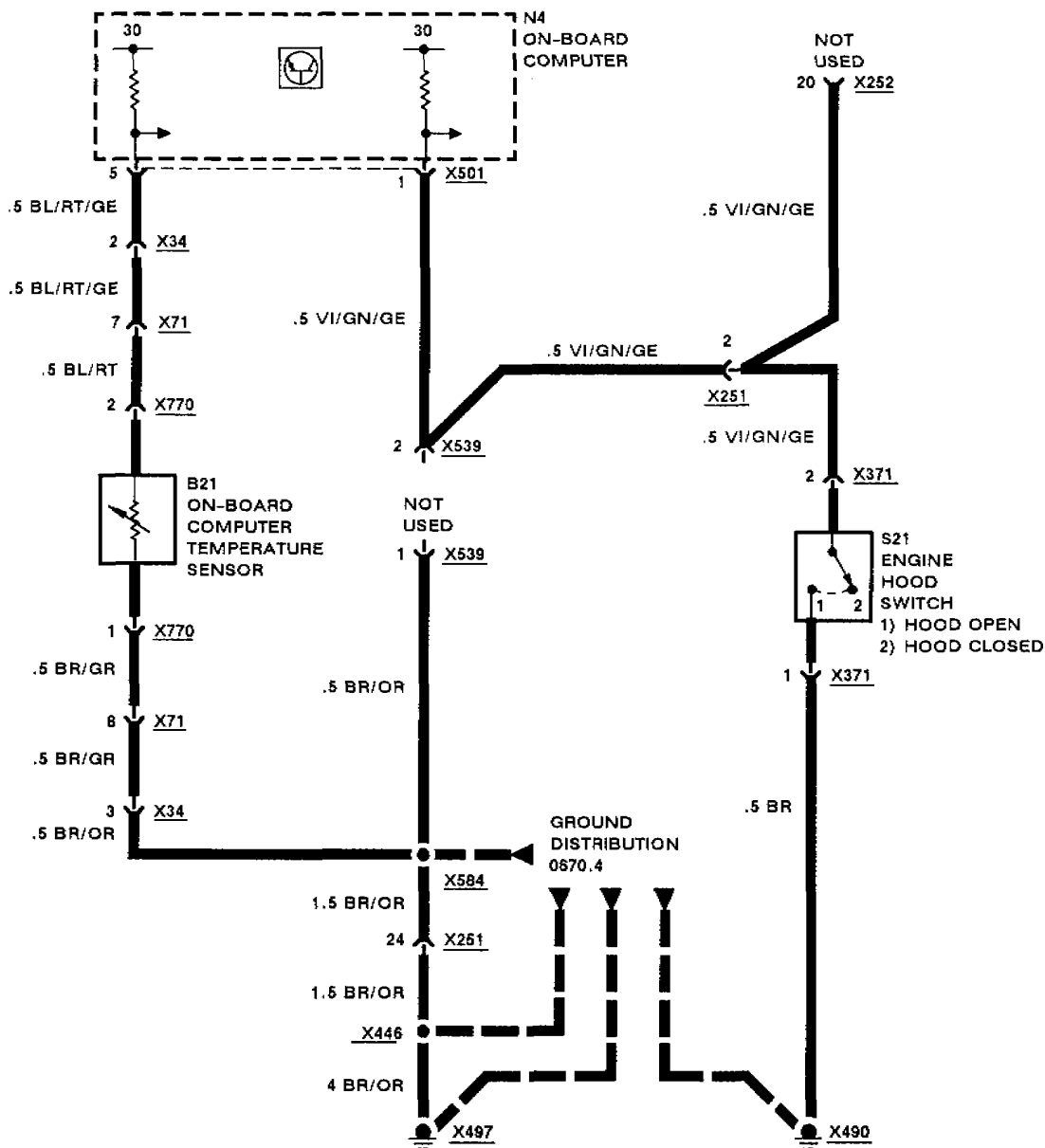


ON-BOARD COMPUTER (BCIV)



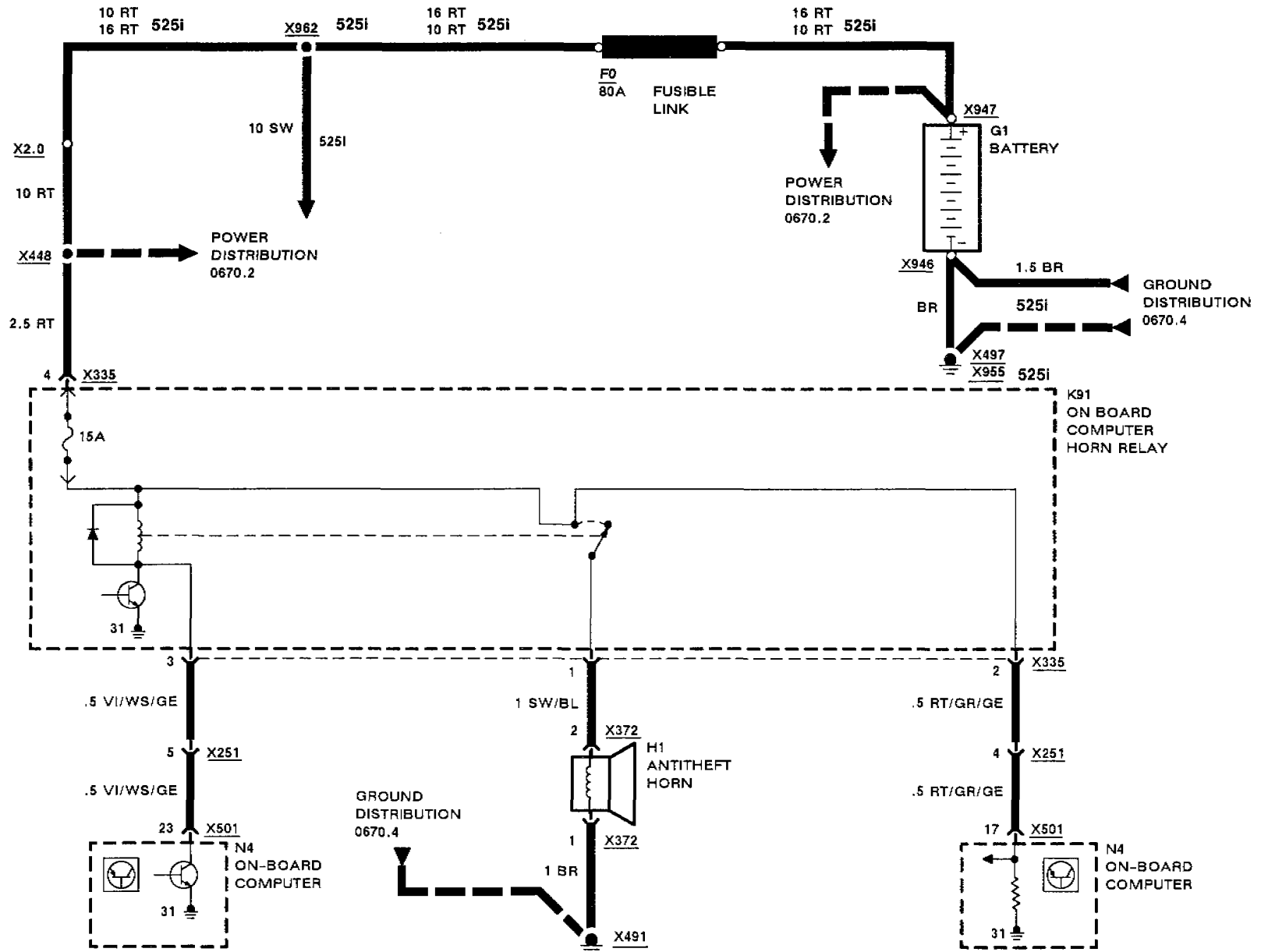


ON-BOARD COMPUTER (BCIV)





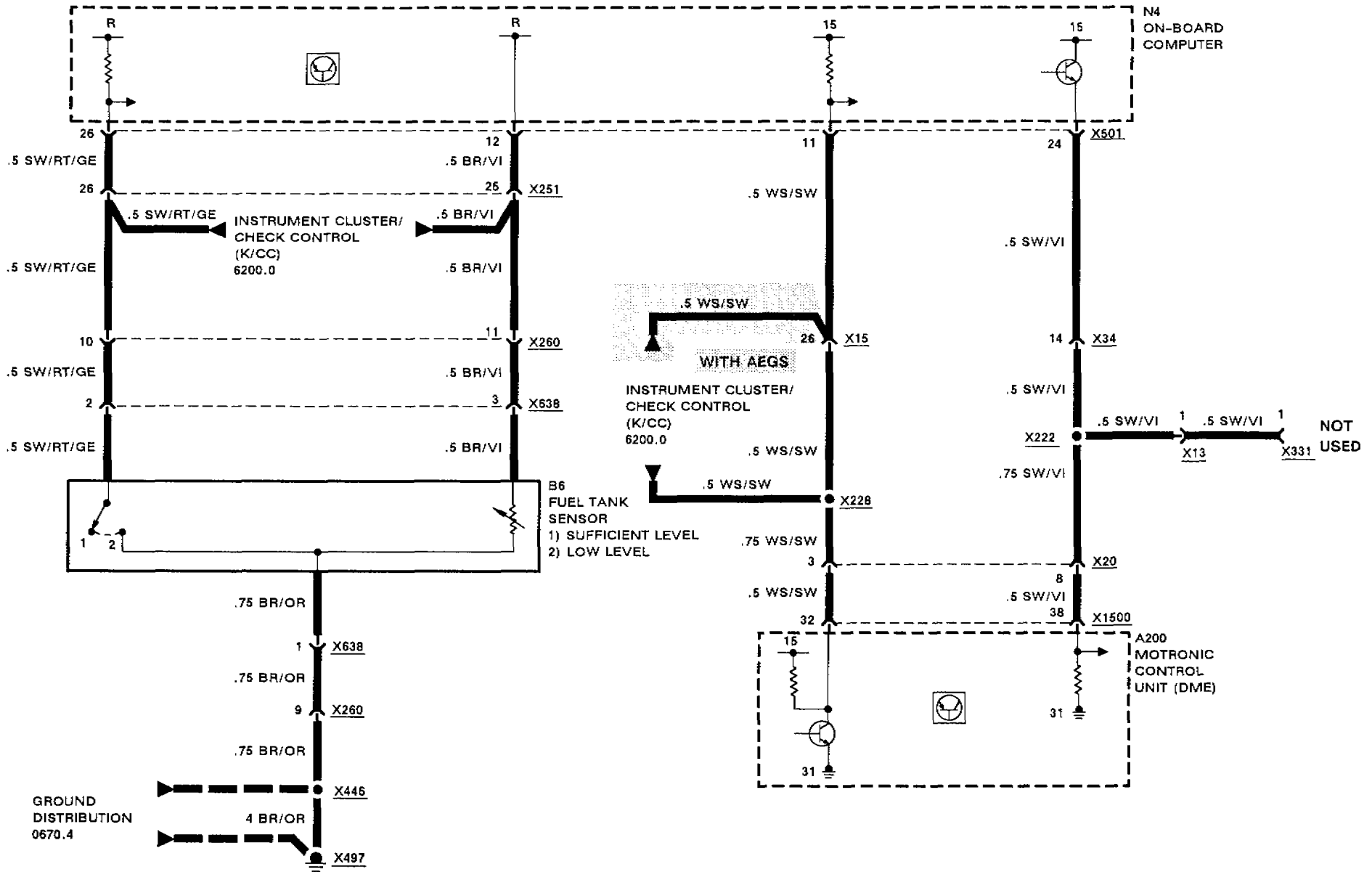
ON-BOARD COMPUTER (BCIV) ANTITHEFT HORN





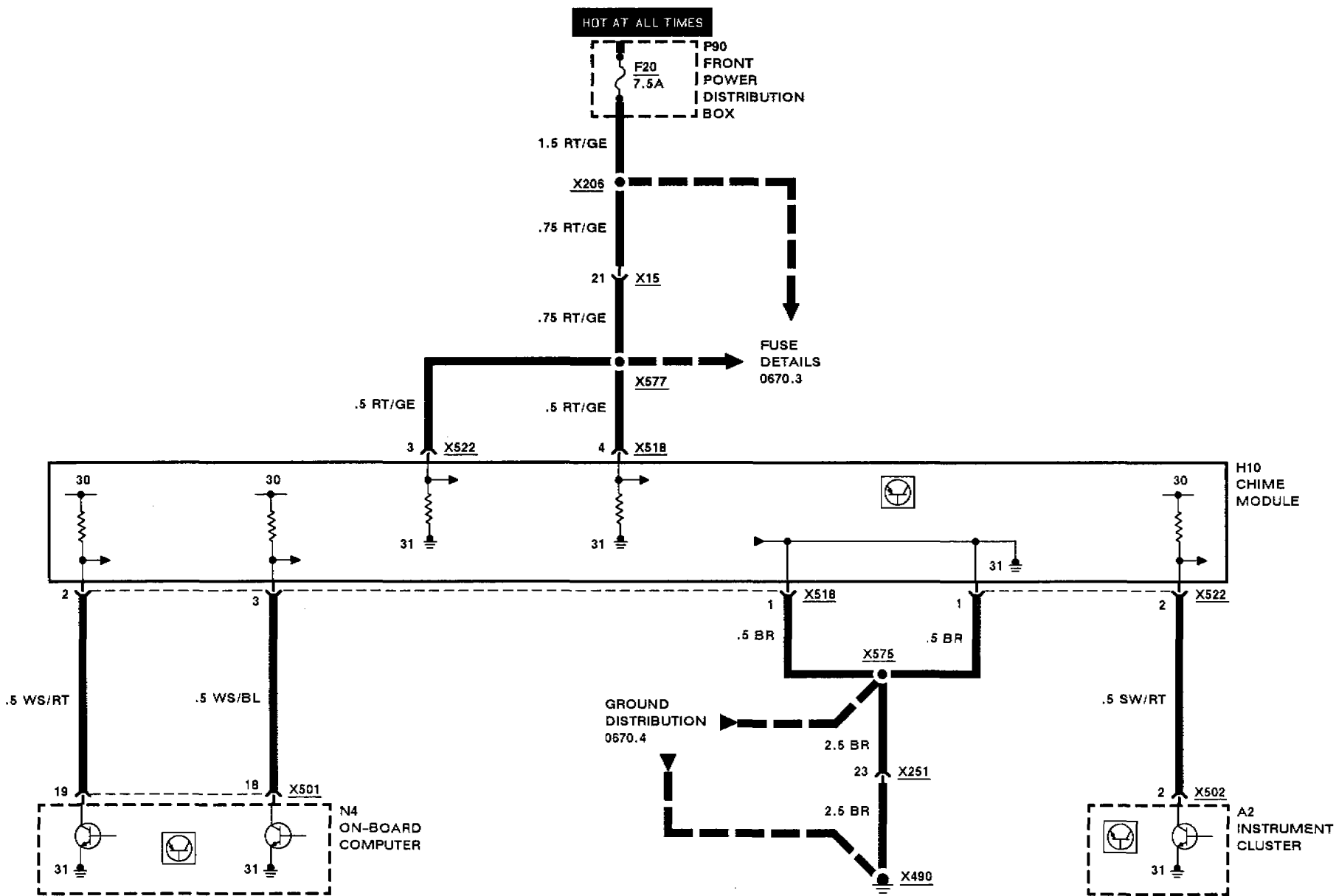
ON-BOARD COMPUTER (BCIV)

FUEL GAUGE





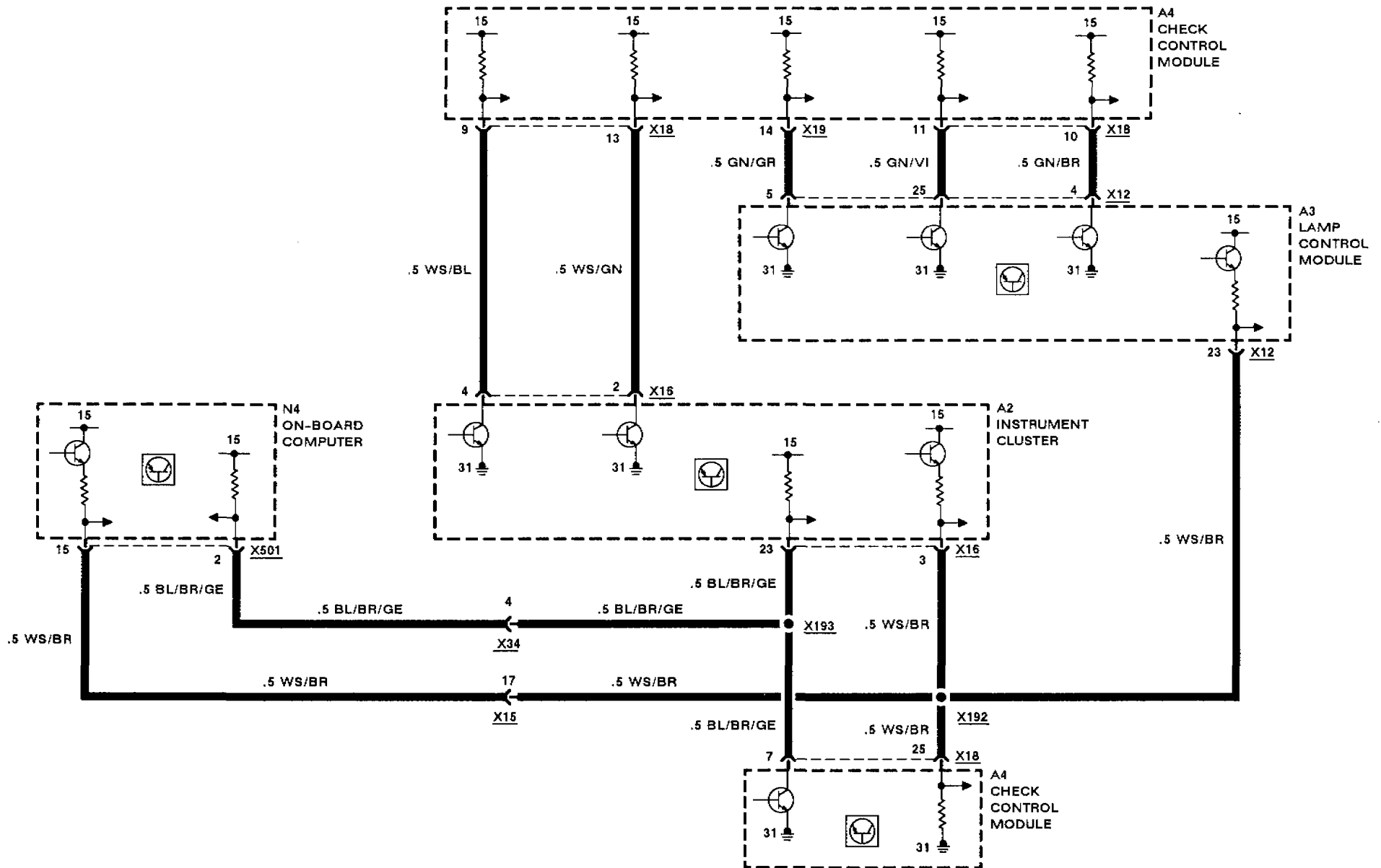
ON-BOARD COMPUTER (BCIV) CHIME MODULE





ON-BOARD COMPUTER (BCIV)

DATA LINK





COMPONENT LOCATION CHART

COMPONENTS

Page-Figure

A1.....	General Module.....	Below LH side of rear seat, in P91 Rear Power Distribution Box	7100.0-34-2
A3.....	Lamp Control Module	LH rear of engine compartment, in P90 Front Power Distribution Box	7100.0-01-1
A4.....	Check Control Module.....	LH rear of engine compartment, in P90 Front Power Distribution Box	7100.0-01-1
A5.....	Relay Module	Below LH side of rear seat, in P91 Rear Power Distribution Box	7100.0-34-2
A7.....	ABS Electronic Control Unit.....	In P93 E-Box, behind RH front shock tower	7100.0-13-2
A8.....	Cruise Control Module (Tempomat)	In P93 E-Box, behind RH front shock tower	7100.0-13-2
A12.....	Diagnostic Module (SRS).....	Behind LH side of dash, on LH side of steering column ..	7100.0-22-1
A16.....	Compressor Control Unit	Inside LH kick panel	7100.0-20-3
A17.....	Servotronic Control Unit	Inside LH kick panel	Not in US
A18.....	HIFI Amplifier	LH side of luggage compartment, on brace	7100.0-39-1
A31.....	Defogger Control Unit	Behind center of dash, RH side of IHKR plenum	Not in US
A200....	Motronic Control Unit (DME)	In P93 E-Box, behind RH front shock tower	7100.0-13-2
A300....	Electronic Transmission Control Unit (AEGS)	Inside RH kick panel	7100.0-29-3
A9000...	Integrated Climate Regulation Control Unit (IHKR)	Behind center of dash, ahead of IHKR plenum.....	7100.0-29-2
B1.....	Right Front Speed Sensor	Behind RH front wheel	7100.0-17-1
B2.....	Left Front Speed Sensor	Behind LH front wheel.....	7100.0-16-3
B3.....	Right Rear Speed Sensor	Behind RH rear wheel, on axle	7100.0-17-3
B4.....	Left Rear Speed Sensor	Behind LH rear wheel, on axle.....	7100.0-17-2
B6.....	Fuel Tank Sensor	Below luggage compartment, through RH access panel, RH side of spare tire	7100.0-38-3
B7.....	Low Pressure Switch	RH front of engine compartment, below washer reservoir.	7100.0-09-2
B8.....	High Pressure Switch	RH front of engine compartment below washer reservoir ..	7100.0-09-2
B9.....	Intermediate Pressure Switch	RH front of engine compartment, below washer reservoir.	7100.0-09-2
B10.....	Vehicle Speed Sensor	Rear of car, on differential.....	7100.0-20-2
B11.....	Left Heat Exchanger Temperature Sensor	Behind LH side of dash, in LH side of IHKR plenum.....	7100.0-25-1
B12.....	Right Heat Exchanger Temperature Sensor	Behind RH side of dash, in RH side of IHKR plenum	7100.0-29-1



COMPONENT LOCATION CHART

COMPONENTS

		Page-Figure
B13	Outside Temperature Sensor	Behind center of cowl, on RH side of M30 Blower Motor 7100.0-15-3
B14	Evaporator Temperature Sensor	Behind LH side of dash, on lower LH side of IHKR plenum 7100.0-25-2
B15	Electro-Hydraulic Converter (Servotronic)	Lower LH front of engine compartment, behind LH front wheel Not in US
B16	Left Front Brake Pad Sensor	Behind LH front wheel, on caliper 7100.0-16-3
B17	Right Rear Brake Pad Sensor	Behind RH rear wheel, on caliper 7100.0-17-3
B18	Brake Fluid Level Switch (M20 Engine)	LH rear of engine compartment, top of brake fluid reservoir 7100.0-02-2
B18	Brake Fluid Level Switch (M30 Engine)	LH rear of engine compartment, top of brake fluid reservoir 7100.0-02-3
B21	On-Board Computer Temperature Sensor	Under LH side of front bumper 7100.0-16-2
B201	Cylinder Identification Sensor	RH front of engine, near distributor 7100.0-10-3
B202	Engine Speed/Reference Point Sensor	Front of engine, below distributor 7100.0-10-3
B203	Oxygen Sensor (M30 Engine)	In top of catalyst, near rear of transmission 7100.-19-3
B203	Oxygen Sensor (M20 Engine)	Lower RH side of engine compartment 7100.0-12-3
B204	Coolant Temperature Sensor (M30 Engine)	On coolant inlet, near valve cover 7100.0-10-2
B204	Coolant Temperature Sensor (M20 Engine)	On coolant inlet, near valve cover 7100.0-10-1
B205	Oil Level Sensor (M20 Engine)	On bottom of oil pan 7100.0-18-1
B205	Oil Level Sensor (M30 Engine)	On bottom of oil pan 7100.0-18-2
B206	Oil Pressure Switch (M30 Engine)	Top rear of engine, rear of cylinder head 7100.0-15-2
B206	Oil Pressure Switch (M20 Engine)	Lower LH front of engine 7100.0-19-1
B207	Coolant Temperature Sender (M30 Engine)	On coolant inlet, near valve cover 7100.0-10-2
B207	Coolant Temperature Sender (M20 Engine)	On coolant inlet, near valve cover 7100.0-10-1
B208	Air Flow Meter (M20 Engine)	LH side of engine 7100.0-05-3
B208	Air Flow Meter (M30 Engine)	Top center of engine, ahead of oil fill cap 7100.0-12-2
B210	Temperature Switch	In P93 E-Box, behind RH front shock tower 7100.0-14-1
B900	Jumper Plug	LH rear of engine compartment, in P90 Front Power Distribution Box 7100.0-00-3
C100	Contact Ring	Inside steering wheel 7100.0-23-2



COMPONENT LOCATION CHART

COMPONENTS

		Page-Figure
C900	Defogger Coupler	In RH "C" Pillar 7100.0-38-2
D100	Diagnostic Connector	LH rear of engine compartment, RH side of shock tower . 7100.0-01-3
E48	Door Lock Heater	In door, at key lock assembly
E51	Left Washer Jet Heater	Under cover, on engine hood 7100.0-07-3
E52	Right Washer Jet Heater	Under cover, on engine hood 7100.0-08-1
E56	Driver's Seatback Heater	In back of driver's seat
E57	Driver's Seat Heater	In driver's seat
E58	Passenger's Seat Heater	In passenger's seat
E59	Passenger's Seatback Heater	In back of passenger's seat
F0	Fusible Link 80A	RH side of engine compartment 7100.0-09-3
F99	Fusible Link 50A (535i)	Below RH side of rear seat 7100.0-36-3
F99	Fusible Link 50A (525i)	Below RH side of rear seat 7100.0-36-1
G1	Battery (M30 Engine)	Below RH side of rear seat 7100.0-36-3
G1	Battery (M20 Engine)	RH front of engine compartment 7100.0-09-3
G2	Alternator	Lower LH front of engine 7100.0-06-3
G5	Driver's Air Bag Generator	Inside center of steering wheel 7100.0-23-2
H2	Left Horn	Front of car, behind grille 7100.0-08-2
H3	Right Horn	Front of car, behind grille 7100.0-08-2
H10	Chime Module	Behind LH side of dash, mounted in hush panel. 7100.0-21-3
H60	Audible Turn-Signal Relay	Below steering column 7100.0-24-1
H9002	On Board Computer Antitheft Horn	Behind center of cowl 7100.0-15-3
K1	Starter Relay	LH rear of engine compartment, in P90 Front Power Distribution Box 7100.0-00-3
K2	Horn Relay	LH rear of engine compartment, in P90 Front Power Distribution Box 7100.0-00-3
K3	Unloader Relay, KLR	LH rear of engine compartment, in P90 Front Power Distribution Box 7100.0-00-3
K4	Blower Relay	LH rear of engine compartment, in P90 Front Power Distribution Box 7100.0-00-3



COMPONENT LOCATION CHART

COMPONENTS

		Page-Figure
K5	Washer Pump Relay	LH rear of engine compartment, in P90 Front Power Distribution Box Not in US
K9	Unloader Relay, KL15	LH rear of engine compartment, in P90 Front Power Distribution Box 7100.0-01-1
K11	Wiper Relay	Below LH side of rear seat, on P91 Rear Power Distribution Box 7100.0-34-3
K12	Wiper Pressure Control (ADV) Relay	Below LH side of rear seat, on P91 Rear Power Distribution Box 7100.0-34-2
K13	Rear Defogger Relay	Below LH side of rear seat, on P91 Rear Power Distribution Box 7100.0-34-3
K15	Electric Power Protection Relay	Below LH side of rear seat, on P91 Rear Power Distribution Box 7100.0-34-3
K16	Hazard Flasher Relay	LH rear of engine compartment, in P90 Front Power Distribution Box 7100.0-00-3
K21	Normal Speed Relay	LH side of engine compartment, in P92 Auxiliary Relay Box 7100.0-04-1
K22	High Speed Relay	LH side of engine compartment, in P92 Auxiliary Relay Box 7100.0-04-1
K33	Air Conditioning Relay	LH side of engine compartment, in P92 Auxiliary Relay Box 7100.0-04-1
K50	Water Pump Relay	LH rear of engine compartment, in P90 Front Power Distribution Box 7100.0-01-1
K91	On-Board Computer Horn Relay	Below LH side of rear seat, ahead of P91 Rear Power Distribution Box 7100.0-35-1
K201	Fuel Pump Relay (M20 Engine)	In P93 E-Box, behind RH front shock tower 7100.0-14-1
K201	Fuel Pump Relay (M30 Engine)	In P93 E-Box, behind RH front shock tower 7100.0-13-3
K202	Main Relay (M20 Engine)	In P93 E-Box, behind RH front shock tower 7100.0-14-1
K202	Main Relay (M30 Engine)	In P93 E-Box, behind RH front shock tower 7100.0-13-3
K203	Oxygen Sensor Relay	In P93 E-Box, behind RH shock tower 7100.0-13-3
M1	Starter (M20 Engine)	LH side of engine, below intake manifold 7100.0-03-1



COMPONENT LOCATION CHART

COMPONENTS

			Page-Figure
M1	Starter (M30 Engine)	LH side of engine, below intake manifold	7100.0-03-2
M2	Fuel Pump	Below luggage compartment, RH side of spare tire	7100.0-38-3
M3	Wiper Motor	Behind LH side of fresh air cowl	7100.0-00-1
M4	Washer Pump	RH front of engine compartment, on washer fluid reservoir	7100.0-09-1
M5	Intensive Wash Pump	RH front of engine compartment, on washer fluid reservoir	Not in US
M6	Wiper Pressure Control Motor (ADV)	Behind LH side of fresh air cowl	7100.0-00-2
M9	Auxiliary Fan Motor	Center front of engine compartment, behind bumper	7100.0-08-2
M12	Driver's Door Lock Motor	Top rear of driver's door	7100.0-30-3
M13	Passenger's Door Lock Motor	Top rear of passenger's door	7100.0-30-3
M14	Right Rear Door Lock Motor	Top rear of RH rear door	7100.0-31-2
M15	Left Rear Door Lock Motor	Top rear of LH rear door	7100.0-31-2
M16	Gas Filler Lock Motor	In luggage compartment, behind RH wheel well	7100.0-39-2
M17	Trunk Lock Motor	In trunk lid, RH side of lid lock assembly	7100.0-40-2
M20	Left Rear Window Motor	Lower front of LH rear door	7100.0-31-2
M21	Driver's Window Motor	Lower front of driver's door	7100.0-30-3
M22	Right Rear Window Motor	Lower front of RH rear door	7100.0-31-2
M23	Passenger's Window Motor	Lower front of passenger's door	7100.0-30-3
M24	Sunroof Motor	In center of windshield header, near rear view mirror	7100.0-25-3
M25	Cruise Control Actuator (Tempomat)	Left center of engine compartment, ahead of shock tower	7100.0-05-2
M30	Blower Motor	Behind center of cowl	7100.0-15-3
M31	Left Footwell Flap Motor	Behind LH side of dash, on LH side of IHKR plenum	7100.0-25-1
M32	Right Footwell Flap Motor	Behind RH side of dash, on RH side of IHKR plenum	7100.0-29-1
M34	Right Mixing Flap Motor	Behind center of dash, RH side of N9 Radio	7100.0-29-1
M35	Defroster Flap Motor	Behind LH side of dash, on lower LH side of IHKR plenum	7100.0-25-1
M36	Fresh Air Flap Motor	Behind LH side of dash, on LH side of IHKR plenum	7100.0-25-1
M37	Water Pump	LH rear of engine compartment, on engine bulkhead	7100.0-02-1
M40	Air Circulation Flap Motor	Behind LH side of dash, on LH side of IHKR plenum	7100.0-25-1



COMPONENT LOCATION CHART

COMPONENTS

		Page-Figure
M50	Driver's Seat Cushion Tilt Motor	Under LH side of driver's seat 7100.0-31-3
M51	Driver's Seat Movement Motor	Under RH side of driver's seat 7100.0-32-1
M52	Driver's Seat Height Motor	Under front of driver's seat 7100.0-31-3
M53	Driver's Seatback Recliner Motor	Under front of driver's seat 7100.0-31-3
M54	Driver's Headrest Motor	In top RH corner of driver's seatback 7100.0-34-1
M57	Passenger's Seat Headrest Motor	In top RH corner of passenger's seatback 7100.0-34-1
M58	Passenger's Seatback Recliner Motor	Under front of passenger's seat 7100.0-32-3
M59	Passenger's Seat Height Motor	Under front of passenger's seat 7100.0-32-3
M60	Passenger's Seat Movement Motor	Under RH side of passenger's seat 7100.0-32-3
M61	Passenger's Seat Cushion Tilt Motor	Under LH side of passenger's seat 7100.0-32-3
M201	E-Box Fan	In P93 E-Box, below modules 7100.0-14-2
N2	Final Stage Unit	In LH side of RH footwell, ahead of IHKR plenum 7100.0-29-2
N4	On-Board Computer	Center of dash, RH side of N9 Radio 7100.0-26-2
N8	Antenna Amplifier	In LH "C" pillar 7100.0-38-1
N17	Crash Control Unit	LH rear of engine compartment, in P90 Front Power Distribution Box 7100.0-01-1
P90	Front Power Distribution Box	LH rear of engine compartment 7100.0-02-1
P91	Rear Power Distribution Box	Below LH side of rear seat 7100.0-34-2
P92	Auxiliary Relay Box	LH side of engine compartment, ahead of shock tower 7100.0-05-2
P93	E-Box	RH side of engine, behind RH front shock tower 7100.0-13-1
R1	Temperature Distribution Potentiometer	Behind center of dash, above N9 Radio 7100.0-26-2
S10000	Rear Vent Flap Switch	In rear of console, on rear vent flap
S2	Ignition Switch	Top RH side of steering column 7100.0-24-1
S3	Automatic Transmission Range Switch	Under console, at base of gear shifter 7100.0-28-1
S4	Horn Switch	Top of steering column, in steering wheel
S7	Combination Switch	Inside top of steering column 7100.0-23-3
S13	Passenger's Door Jamb Switch	In center rear of passenger's door jamb, in latch assembly
S14	Driver's Door Jamb Switch	In center rear of driver's door jamb, in latch assembly
S15	Right Rear Door Jamb Switch	In top of RH rear door jamb, in latch assembly
S16	Left Rear Door Jamb Switch	In top rear of LH rear door jamb, in latch assembly



COMPONENT LOCATION CHART

COMPONENTS

		Page-Figure
S19	Underhood Light Switch	LH front of hood 7100.0-07-2
S21	Engine Hood Switch	LH rear of engine compartment, rear of shock tower 7100.0-01-1
S22	Battery Switch	Under RH side of rear seat, near battery Not in US
S24	Rear Seat Switch	Under RH side of rear seat, right of battery Not in US
S27	Inertia Switch	Below center of rear seat, RH side of P91 Rear Power Distribution Box 7100.0-35-3
S29	Brake Light Switch	Behind LH side of dash, on brake pedal support bracket 7100.0-22-1
S31	Park Brake Switch	Below console, on rear of park brake lever 7100.0-28-2
S32	Clutch Switch	Behind LH side of dash, on clutch pedal support bracket
S36	Temperature Switch	RH top of radiator 7100.0-08-3
S37	Glove Box Light Switch	In LH side of glove box 7100.0-28-3
S39	Sunroof Position Switch	In center of windshield header, near rear view mirror 7100.0-25-3
S43	Driver's Window Limit Switch	Center front of driver's door 7100.0-30-3
S44	Passenger's Window Limit Switch	Center front of passenger's door 7100.0-30-3
S45	Left Rear Window Limit Switch	Center front of LH rear door 7100.0-31-2
S46	Right Rear Window Limit Switch	Center front of RH rear door 7100.0-31-2
S47	Driver's Door Lock Switch	Behind driver's door lock assembly
S48	Driver's Door Handle Switch	In top rear of driver's door, near door handle cable
S49	Passenger's Door Lock Switch	Behind passenger's door lock assembly
S58	Driver's Seat Belt Switch	In driver's seat belt buckle
S61	Trunk Lid Switch	In center of trunk lid, in trunk latch assembly 7100.0-40-1
S63	Coolant Level Switch	Top of coolant reservoir 7100.0-12-2
S64	Washer Fluid Level Switch	RH side of washer fluid reservoir 7100.0-09-1
S70	Safety Switch	LH side of engine compartment, near S71 Left Front Crash Sensor
S71	Left Front Crash Sensor	Ahead of LH shock tower 7100.0-04-1
S72	Right Front Crash Sensor	Ahead of RH shock tower 7100.0-11-3
S77	Driver's Makeup Mirror Switch	In driver's visor
S78	Passenger's Makeup Mirror Switch	In passenger's visor
S200	Throttle Switch (M20 Engine)	LH rear of engine 7100.0-03-3



COMPONENT LOCATION CHART

COMPONENTS

		Page-Figure
S200	Throttle Switch (M30 Engine)	Top of engine, on throttle body 7100.0-12-2
S301	Transmission Kickdown Switch	Behind LH side of dash, underneath accelerator pedal. . . 7100.0-24-3
S302	Back-Up Switch	Top RH side of transmission
S901	Passenger's Visor Switch	LH hinge of passenger's visor 7100.0-26-1
S902	Driver's Visor Switch	RH hinge of driver's visor 7100.0-26-1
T200	Ignition Coil	RH side of engine compartment, at strut tower. 7100.0-14-3
V6	Diode	Behind center of dash
X779	Charging Plug	In LH side of glove box 7100.0-28-3
Y1	ABS Hydraulic Unit (M30 Engine).	LH center of engine compartment, near shock tower 7100.0-02-3
Y1	ABS Hydraulic Unit (M20 Engine).	LH center of engine compartment, near shock tower 7100.0-02-2
Y2	Compressor Clutch	Lower RH front of engine 7100.0-18-3
Y4	Water Valve Assembly	LH rear of engine compartment, on engine bulkhead 7100.0-02-1
Y201	Fuel Injector 1	Top of engine, near B207 Coolant Temperature Sender . . 7100.0-12-1
Y202	Fuel Injector 2	Top of engine, on intake manifold 7100.0-12-1
Y203	Fuel Injector 3	Top of engine, on intake manifold 7100.0-12-1
Y204	Fuel Injector 4	Top of engine, on intake manifold 7100.0-12-1
Y205	Fuel Injector 5	Top of engine, on intake manifold 7100.0-12-1
Y206	Fuel Injector 6	Top of engine, on intake manifold 7100.0-12-1
Y213	Fuel Air Valve (M20 Engine).	LH rear of engine 7100.0-03-3
Y213	Fuel Air Valve (M30 Engine).	LH side of engine, RH side of oil filter 7100.0-04-3
Y214	Idle Speed Actuator (M20 Engine)	On center rear of throttle body. 7100.0-05-3
Y214	Idle Speed Actuator (M30 Engine)	On center rear of throttle body. 7100.0-12-2
Y300	Transmission	LH rear side of transmission 7100.0-19-2
X1.0	Junction Post for Front Power Distribution Box	Behind LH side of dash, under carpet 7100.0-21-2
X1.1	Junction Post for Front Power Distribution Box	LH rear of engine compartment, in P90 Front Power Distribuiton Box 7100.0-01-2
X1.2	Junction Post for Front Power Distribution Box	LH rear corner of engine compartment, in P90 Front Power Distribution Box 7100.0-01-2
X13	Connector (21 pins)	Below LH side of dash, below driver's footrest (White) . . . 7100.0-21-1
X14	Connector (30 pins)	Below LH side of dash, below driver's footrest (Yellow) . . 7100.0-21-1



COMPONENT LOCATION CHART

COMPONENTS

		Page-Figure
X15	Connector (30 pins)	Below LH side of dash, near kick panel 7100.0-22-2
X16	Connector (26 pins)	Behind LH side of dash, on rear of A2 Instrument Cluster (Yellow). 7100.0-24-2
X17	Connector (24 pins)	Behind LH side of dash, on rear of A2 Instrument Cluster (Brown). 7100.0-24-2
X18	Connector (26 pins)	LH rear of engine compartment, on A4 Check Control Module (Blue)
X19	Connector (26 pins)	LH rear of engine compartment, on A4 Check Control Module (Green)
X20	Connector (20 pins)	LH rear of engine compartment, near shock tower 7100.0-01-3
X22	Connector (26 pins)	RH rear of engine compartment, on A8 Cruise Control Module (Tempomat)(Blue) 7100.0-13-3
X31	Connector (12 pins)	LH center of engine compartment, on Y1 ABS Hydraulic Unit, under plastic cover
X32	Connector (12 pins)	Behind LH side of dash, LH side of steering column. 7100.0-22-2
X33	Connector (12 pins)	Behind LH side of dash, near kick panel 7100.0-22-2
X34	Connector (21 pins)	Behind LH side of dash, near kick panel 7100.0-22-2
X35	Connector (21 pins)	Behind LH side of dash, near kick panel 7100.0-22-3
X61	Connector (9 pins)	LH rear of engine compartment, inside P92 Auxilliary Relay Box 7100.0-04-1
X62	Connector (9 pins)	LH rear of engine compartment, in P90 Front Power Distribution Box 7100.0-00-3
X71	Connector (8 pins)	Above E26 Left Fog Light 7100.0-16-1
X72	Connector (8 pins)	Behind LH side of dash, LH side of steering column. 7100.0-22-2
X74	Connector (8 pins)	Behind LH side of dash, above footrest 7100.0-23-1
X75	Connector (6 pins)	Behind LH side of dash, above footrest 7100.0-23-1
X79	Connector (4 pins)	In P93 E-Box, behind RH front shock tower 7100.0-14-1
X81	Connector (3 pins)	Ahead of LH shock tower 7100.0-04-1
X83	Connector (3 pins)	Inside LH kick panel (Yellow). 7100.0-20-3
X84	Connector (3 pins)	Inside LH kick panel (Yellow). 7100.0-20-3



COMPONENT LOCATION CHART

COMPONENTS

		Page-Figure
X85	Connector (3 pins)	LH rear of engine compartment 7100.0-01-3
X86	Connector (3 pins)	Ahead of RH shock tower 7100.0-11-3
X88	Connector (3 pins)	Behind LH side of dash, on LH side of steering column . . 7100.0-22-3
X105	Connector (2 pins)	On engine hood, under cover 7100.0-07-3
X106	Connector (2 pins)	On engine hood, under cover 7100.0-08-1
X110	Connector (2 pins)	RH front corner of engine compartment 7100.0-09-1
X113	Connector (2 pins)	RH rear of engine compartment, near base of shock tower 7100.0-11-2
X114	Connector (2 pins)	LH rear of engine compartment, bottom of shock tower . . 7100.0-04-2
X118	Connector (2 pins)	On LH front wheel, above brake caliper 7100.0-16-3
X120	Connector (2 pins)	LH side of engine compartment 7100.0-04-2
X121	Connector (2 pins)	Behind LH side of dash, near clutch switch 7100.0-22-3
X122	Connector (2 pins)	LH rear of engine compartment, on engine bulkhead . . . 7100.0-01-3
X126	Connector (2 pins)	RH front corner of engine compartment 7100.0-09-2
X127	Connector (2 pins)	RH front corner of engine compartment 7100.0-09-2
X146	Connector (1 pin)	LH rear of engine compartment, in P90 Front Power Distribution Box
X163	Connector (3 pins)	RH front of engine compartment, near Y2 Compressor Clutch 7100.0-11-1
X165	Ground (Dash)	Behind LH side of dash, LH side of steering column 7100.0-22-1
X166	Ground	RH front of engine compartment, ahead of wheel well . . . 7100.0-09-2
X167	Ground	LH front of engine compartment, ahead of wheel well . . . 7100.0-06-2
X170	Terminal Post	LH side of engine compartment, on Y1 ABS Hydraulic Unit 7100.0-04-2
X175	Ground	LH front of engine compartment, ahead of wheel well . . . 7100.0-06-2
X179	Ground	RH front of engine compartment, ahead of wheel well . . . 7100.0-09-2
X251	Connector (30 pins)	Behind LH side of dash, LH side of steering column 7100.0-22-1
X252	Connector (26 pins)	Below LH side of rear seat 7100.0-35-1
X253	Connector (26 pins)	Below LH side of rear seat, on A1 General Module (Green)



COMPONENT LOCATION CHART

COMPONENTS

Page-Figure

X254	Connector (26 pins)	Below LH side of rear seat, on A1 General Module (White)	
X255	Connector (26 pins)	Below LH side of rear seat, on A1 General Module (Yellow)	
X256	Connector (26 pins)	Inside front of RH front door jamb, in wire grommet housing.	7100.0-30-1
X257	Connector (26 pins)	Inside front of LH front door jamb, in wire grommet housing.	7100.0-30-1
X258	Connector (20 pins)	Below LH side of rear seat, on A5 Relay Module (White)	
X259	Connector (20 pins)	Below LH side of rear seat, on A5 Relay Module (Black)	
X260	Connector (21 pins)	Below RH side of rear seat, near battery (Black).	7100.0-37-3
X262	Connector (26 pins)	Below LH side of rear seat.	7100.0-34-2
X269	Connector (6 pins)	Below LH side of rear seat.	7100.0-34-3
X271	Connector (12 pins)	Behind LH side of dash, on rear of A2 Instrument Cluster (Gray)	7100.0-24-2
X272	Connector (12 pins)	Below LH side of rear seat, near P91 Rear Power Distribution Box	7100.0-34-2
X273	Connector (12 pins)	Inside front of LH rear door jamb, in wire grommet housing.	7100.0-30-2
X274	Connector (12 pins)	Inside front of RH rear door jamb, in wire grommet housing.	7100.0-30-2
X275	Connector (12 pins)	Under driver's seat	7100.0-32-1
X277	Connector (10 pins)	Inside front of LH rear door jamb, in wire grommet housing.	7100.0-30-2
X278	Connector (10 pins)	Inside front of RH rear door jamb, in wire grommet housing.	7100.0-30-2
X279	Connector (12 pins)	Under passenger's seat	7100.0-33-2
X295	Connector (8 pins)	Behind LH side of dash, LH side of steering column.	7100.0-22-2
X297	Connector (9 pins)	Below LH side of rear seat	
X316	Connector (6 pins)	On S40 Front Console Window Switch Assembly (White)	7100.0-28-2
X317	Connector (6 pins)	On S40 Front Console Window Switch Assembly (Black)	7100.0-28-2



COMPONENT LOCATION CHART

COMPONENTS

		Page-Figure
X318	Connector (4 pins)	In trunk, behind E17 Right Rear Light Assembly. 7100.0-39-2
X319	Connector (4 pins)	In trunk, behind E16 Left Rear Light Assembly. 7100.0-39-1
X322	Connector (6 pins)	Below LH side of rear seat, near P91 Rear Power Distribution Box 7100.0-34-2
X328	Connector (4 pins)	RH side of trunk lid, on E47 Right Trunk Light Assembly . 7100.0-40-2
X329	Connector (4 pins)	LH side of trunk lid, on E46 Left Trunk Light Assembly . . 7100.0-39-3
X331	Connector (5 pins)	Below LH side of rear seat, on K91 On-Board Computer Horn Relay (Green)
X332	Connector (5 pins)	Below LH side of rear seat, on A1 General Module (White)
X333	Connector (4 pins)	Behind LH fresh air cowl 7100.0-00-1
X334	Connector (4 pins)	Behind LH fresh air cowl 7100.0-00-1
X335	Connector (4 pins)	Below LH side of rear seat, on K91 On-Board Computer Horn Relay (Green)
X336	Connector (4 pins)	In center of windshield header. 7100.0-25-3
X337	Connector (4 pins)	Below LH side of rear seat. 7100.0-34-3
X342	Connector (4 pins)	Behind RH side of dash, above RH kick panel 7100.0-29-3
X355	Connector (3 pins)	In RH "C" pillar 7100.0-38-2
X356	Connector (3 pins)	In LH "C" pillar. 7100.0-38-1
X358	Connector (3 pins)	In RH rear of trunk lid 7100.0-40-2
X360	Connector (2 pins)	In LH side of windshield header, above LH visor
X371	Connector (2 pins)	Behind LH fresh air cowl 7100.0-00-1
X374	Connector (2 pins)	Below RH side of rear seat 7100.0-37-2
X375	Connector (2 pins)	Below RH side of rear seat 7100.0-37-1
X376	Connector (2 pins)	Below LH side of rear seat, behind P91 Rear Power Distribution Box 7100.0-34-2
X377	Connector (2 pins)	Below RH side of rear seat, behind battery 7100.0-37-1
X393	Connector (6 pins)	In LH rear corner of trunk 7100.0-39-1
X400	Connector (3 pins)	LH rear corner of trunk 7100.0-39-1
X416	Connector (2 pins)	LH side of windshield header, near LH visor
X417	Connector (2 pins)	RH side of windshield header, near RH visor



COMPONENT LOCATION CHART

COMPONENTS

Page-Figure

X418	Connector (1 pin)	Below LH side of rear seat	7100.0-35-1
X490	Ground	Behind LH side of dash, LH side of steering column	7100.0-22-1
X491	Ground	Behind LH side of dash, LH side of steering column	7100.0-22-1
X492	Ground	Below LH side of rear seat, near P91 Rear Power Distribution Box	7100.0-35-2
X493	Ground	Below LH side of rear seat, near P91 Rear Power Distribution Box	7100.0-35-2
X495	Ground	Below RH side of rear seat, RH side of battery	7100.0-36-3
X496	Ground	Below RH side of rear seat, RH side of battery	7100.0-36-3
X497	Ground (Battery)	Ahead of RH side of rear seat, under carpet	7100.0-36-2
X501	Connector (26 pins)	Behind center of dash, on N4 On-Board Computer	
X502	Connector (26 pins)	Behind LH side of dash, on rear of A2 Instrument Cluster (White)	7100.0-24-2
X506	Connector (12 pins)	Below center console, front of gear shifter	7100.0-28-1
X511	Connector (8 pins)	Below center console	7100.0-28-1
X512	Connector (8 pins)	Behind RH side of dash, taped to harness	
X514	Connector (6 pins)	Behind center of dash, in harness	
X518	Connector (4 pins)	Behind LH side of dash, on H10 Chime Module (Black)	7100.0-21-3
X522	Connector (3 pins)	Behind LH side of dash, on H10 Chime Module (White)	7100.0-21-3
X526	Connector (8 pins)	Below LH side of dash, at kick panel	7100.0-22-2
X539	Connector (2 pins)	Behind center of dash, LH side of N9 Radio	
X546	Connector (2 pins)	Below center console, LH side of manual gear selector	7100.0-27-3
X605	Connector (12 pins)	LH side of trunk, on A18 HIFI Amplifier (Black)	
X606	Connector (12 pins)	LH side of trunk, on A18 HIFI Amplifier (White)	
X610	Connector (26 pins)	Behind center of dash, on A9000 Integrated Climate Regulation Control Unit (IHKR) (White)	7100.0-25-2
X611	Connector (26 pins)	Behind center of dash, on A9000 Integrated Climate Regulation Control Unit (IHKR) (Green)	7100.0-25-2
X612	Connector (26 pins)	Behind center of dash, on S9000 Integrated Climate Regulation Switch (IHKR) (Blue)	7100.0-27-2



COMPONENT LOCATION CHART

COMPONENTS

		Page-Figure
X613	Connector (26 pins)	Behind center of dash, on A9000 Integrated Climate Regulation Control Unit (IHKR) (Blue) 7100.0-29-2
X614	Connector (26 pins)	Behind center of dash, on A9000 Integrated Climate Regulation Control Unit (IHKR) (Yellow) 7100.0-29-2
X623	Connector (4 pins)	In top front of driver's door
X624	Connector (4 pins)	In top front of passenger's door
X627	Connector (8 pins)	In center of windshield header 7100.0-25-3
X633	Connector (8 pins)	Behind center of dash, near N9 Radio 7100.0-26-3
X638	Connector (8 pins)	Below trunk, RH side of spare tire 7100.0-38-3
X652	Connector (6 pins)	Under driver's seat 7100.0-32-1
X659	Connector (6 pins)	Under passenger's seat 7100.0-33-3
X684	Connector (3 pins)	In passenger's door, near door handle 7100.0-31-1
X685	Connector (3 pins)	In driver's door, near door handle 7100.0-31-1
X692	Connector (3 pins)	Behind center of dash, behind LH side of N9 Radio 7100.0-27-1
X693	Connector (3 pins)	Behind center of dash, on S9000 Integrated Climate Regulation Switch (IHKR) (Black) 7100.0-27-2
X702	Connector (2 pins)	Behind center of dash, on N9 Radio (White) 7100.0-26-3
X703	Connector (2 pins)	Behind center of dash, on N9 Radio (Black) 7100.0-26-3
X705	Connector (2 pins)	Below car, near RH rear suspension frame attachment point 7100.0-20-1
X713	Connector (2 pins)	At RH rear wheel, above brake caliper 7100.0-17-3
X714	Connector (2 pins)	In lower rear of LH rear door 7100.0-31-2
X715	Connector (2 pins)	In center rear of LH rear door 7100.0-31-2
X720	Connector (2 pins)	In lower rear of RH rear door 7100.0-31-2
X721	Connector (2 pins)	In center rear of RH rear door 7100.0-31-2
X726	Connector (2 pins)	Under RH side of driver's seat 7100.0-32-1
X727	Connector (2 pins)	Under LH side of driver's seat 7100.0-32-2
X728	Connector (2 pins)	Under front of driver's seat 7100.0-31-3
X729	Connector (2 pins)	Under front of driver's seat 7100.0-31-3
X731	Connector (2 pins)	Inside RH side of driver's seatback 7100.0-34-1



COMPONENT LOCATION CHART

COMPONENTS

		Page-Figure
X732	Connector (2 pins)	In driver's seatback, near driver's seatback heater. 7100.0-34-1
X733	Connector (2 pins)	Under RH side of driver's seat. 7100.0-32-1
X734	Connector (2 pins)	Under RH side of passenger's seat 7100.0-33-2
X735	Connector (2 pins)	Under LH side of passenger's seat 7100.0-33-3
X736	Connector (2 pins)	Under front of passenger's seat. 7100.0-33-1
X737	Connector (2 pins)	Under front of passenger's seat. 7100.0-33-1
X738	Connector (2 pins)	Inside RH side of passenger's seatback 7100.0-34-1
X740	Connector (2 pins)	Under RH side of passenger's seat 7100.0-33-1
X741	Connector (2 pins)	In passenger's seatback, near passenger's seatback heater. 7100.0-34-1
X742	Connector (2 pins)	In passenger's door, near door handle. 7100.0-31-1
X743	Connector (2 pins)	In center front of passenger's door 7100.0-30-3
X744	Connector (2 pins)	In lower front of passenger's door 7100.0-30-3
X747	Connector (2 pins)	In driver's door, near door handle 7100.0-31-1
X749	Connector (2 pins)	In lower front of driver's door. 7100.0-30-3
X750	Connector (2 pins)	In center front of passenger's door 7100.0-30-3
X751	Connector (2 pins)	In driver's door, near door handle 7100.0-31-1
X752	Connector (2 pins)	In driver's door, near door handle 7100.0-31-1
X770	Connector (2 pins)	Under LH side of front bumper 7100.0-16-2
X771	Connector (2 pins)	Behind LH side of dash, on lower LH side of IHKR plenum 7100.0-25-2
X778	Connector (2 pins)	Under driver's seat, near base of driver's seat belt buckle 7100.0-32-2
X783	Connector (2 pins)	Below steering column 7100.0-24-1
X784	Connector (2 pins)	Behind LH side of dash, at kick panel 7100.0-22-1
X789	Connector (2 pins)	Rear of car, near differential 7100.0-20-2
X800	Connector (2 pins)	Inside LH kick panel 7100.0-20-3
X803	Connector (2 pins)	Behind center of dash, on N9 Radio (Black). 7100.0-27-1
X804	Connector (2 pins)	Behind center of dash, on N9 Radio (White). 7100.0-27-1
X813	Connector (1 pin)	Behind center of dash, on N9 Radio (Black). 7100.0-27-1
X815	Connector (1 pin)	Behind center of dash, near N9 Radio 7100.0-27-1



COMPONENT LOCATION CHART

COMPONENTS

		Page-Figure
X818	Ground	Below LH side of dash, LH side of steering column 7100.0-22-1
X910	B+ Junction Post	LH rear of engine compartment 7100.0-01-3
X948	Connector (1 pin)	In LH "C" pillar 7100.0-38-1
X949	Connector (1 pin)	In LH "C" pillar 7100.0-38-1
X951	Connector (1 pin)	In RH "C" pillar 7100.0-38-2
X952	Connector (1 pin)	In RH "C" pillar 7100.0-38-2
X953	Connector (1 pin)	In LH "C" pillar 7100.0-38-1
X955	Ground (Battery)	Lower RH front of engine compartment 7100.0-18-3
X960	B+ Junction Post	Behind LH side of dash, near accelerator pedal 7100.0-25-1
X962	B+ Junction Post	RH side of engine compartment, inside cover 7100.0-09-3
X963	B+ Junction Post	Below RH side of rear seat, inside cover 7100.0-36-1
X964	B+ Junction Post	Lower LH rear of engine compartment, on M1 Starter 7100.0-03-1
X1521	Conector (3 pins) (M20 Engine)	LH side of engine 7100.0-06-1
X1521	Connector (3 pins) (M30 Engine)	Top front of engine 7100.0-10-2
X1522	Connector (3 pins) (M20 Engine)	LH front of engine 7100.0-06-1
X1522	Connector (3 pins) (M30 Engine)	Top front of engine 7100.0-10-2
X1523	Connector (4 pins) (M20 Engine)	RH rear of engine, LH side of P93 E-Box 7100.0-15-1
X1523	Connector (4 pins) (M30 Engine)	Lower LH rear side of engine 7100.0-04-3
X1525	Connector (3 pins) (M20 Engine)	LH front of engine 7100.0-07-1
X1525	Connector (3 pins) (M30 Engine)	Lower LH front of engine 7100.0-05-1
X1532	Diagnostic Connector D100 (20 pins)	LH rear of engine compartment, RH side of shock tower 7100.0-01-3
X1533	Connector (3 pins)	Lower LH rear side of engine 7100.0-04-3
X1537	Connector (8 pins)	In P93 E-Box, behind RH front shock tower 7100.0-14-1
X1540	B+ Junction Post for E-Box	In P93 E-Box, behind RH front shock tower 7100.0-13-2
X1541	Ground	RH rear of engine compartment, near shock tower 7100.0-14-3
X1542	Ground	RH rear of engine compartment, near shock tower 7100.0-14-3
X1563	Connector (7 pins)	LH side of engine, in front of M1 Starter 7100.0-03-1
X2001	Connector (12 pins)	Behind glove box, in RH corner 7100.0-29-3
X2005	Connector (8 pins)	On LH side of transmission 7100.0-19-2
X2008	Ground	Below RH side of rear seat, RH side of battery 7100.0-37-2



COMPONENT LOCATION CHART

COMPONENTS

Page-Figure

X9000 . . . Connector (2 pins)	Behind center of dash, on N9 Radio (Black)	7100.0-26-3
X9997 . . . Connector (2 pins)	Inside steering wheel, on G5 Driver's Air Bag Generator	7100.0-23-2

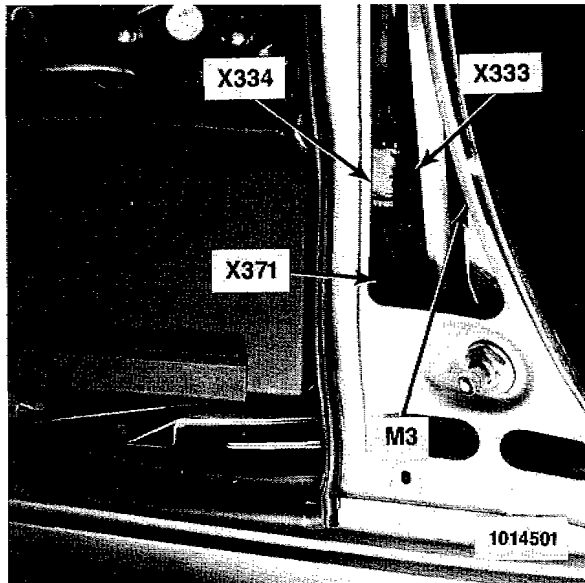


Figure 1- Behind LH Fresh Air Cowl

- M3 Wiper Motor**
- X333 Connector (4 pins) SW**
- X334 Connector (4 pins) WS**
- X371 Connector (2 pins) SW**

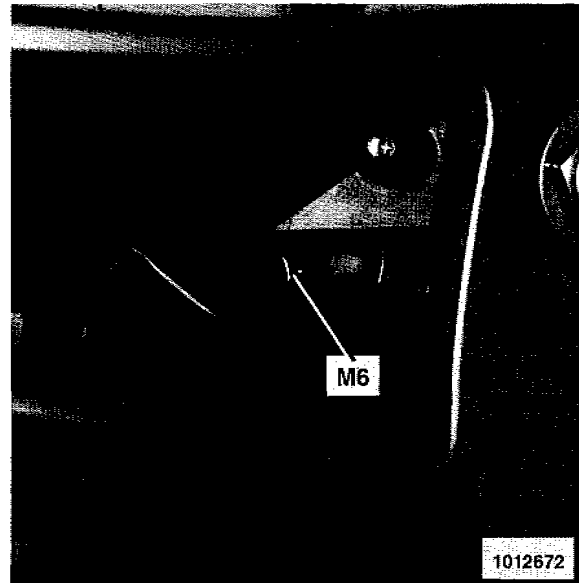


Figure 2- Behind LH Fresh Air Cowl

- M6 Wiper Pressure Control Motor (ADV)**

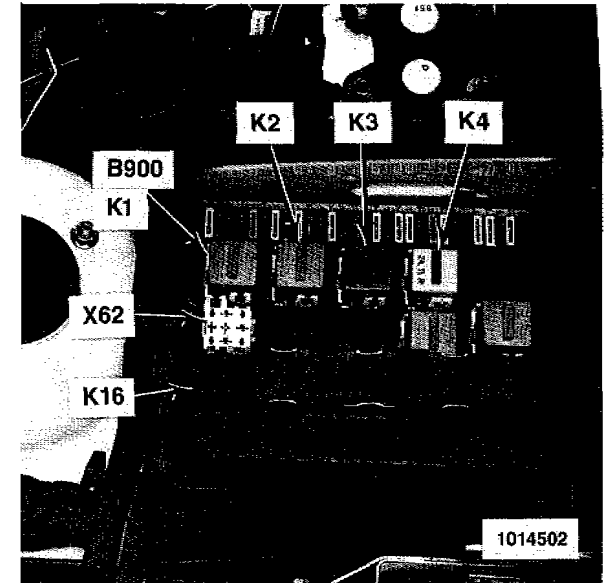


Figure 3- LH Rear Corner Of Engine Compartment

- B900 Jumper Plug**
- K1 Starter Relay**
- K2 Horn Relay**
- K3 Unloader Relay, KLR**
- K4 Blower Relay**
- K16 Hazard Flasher Relay**
- X62 Connector (9 pins) WS**

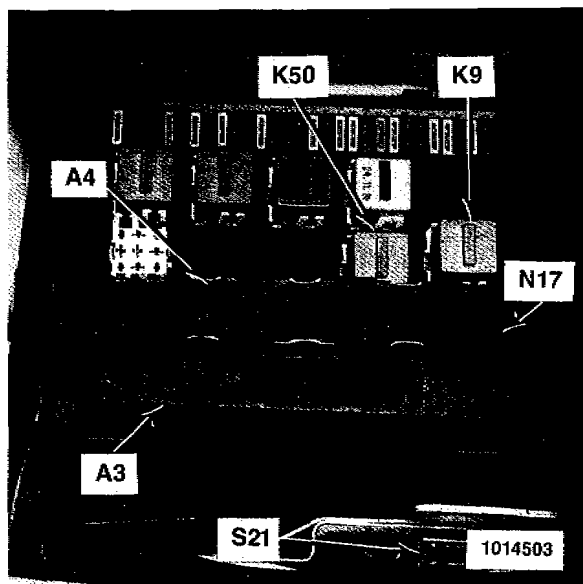


Figure 1- LH Rear Corner Of Engine Compartment

- A3 Lamp Control Module**
- A4 Check Control Module**
- K9 Unloader Relay, KL15**
- K50 Water Pump Relay**
- N17 Crash Control Unit**
- S21 Engine Hood Switch**

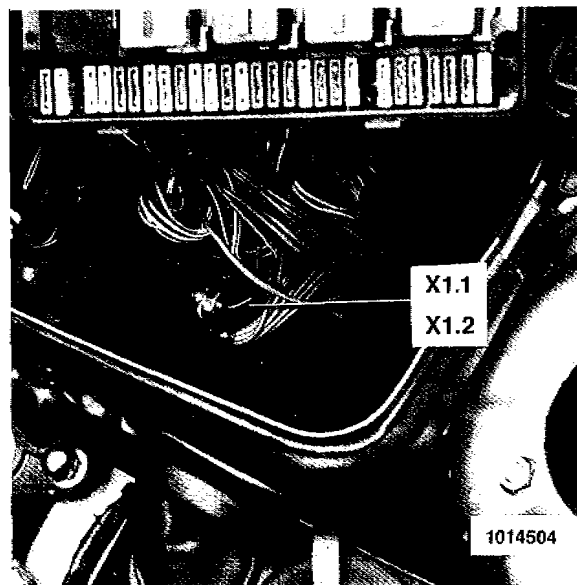


Figure 2- LH Rear Corner Of Engine Compartment

- X1.1 Junction Post For Front Power Distribution Box**
- X1.2 Junction Post For Front Power Distribution Box**

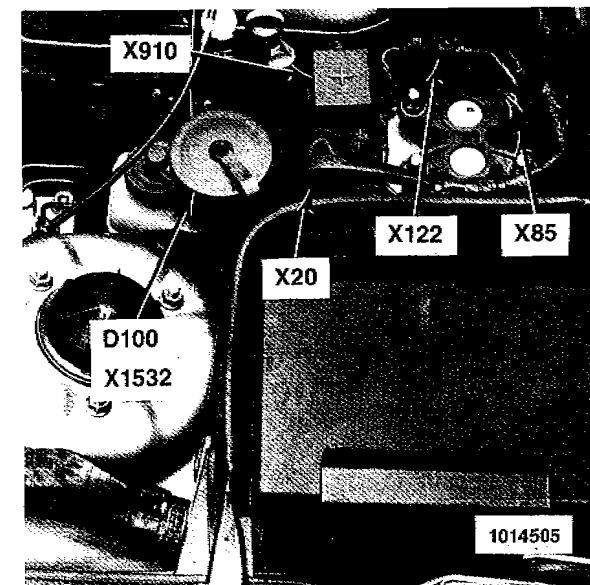
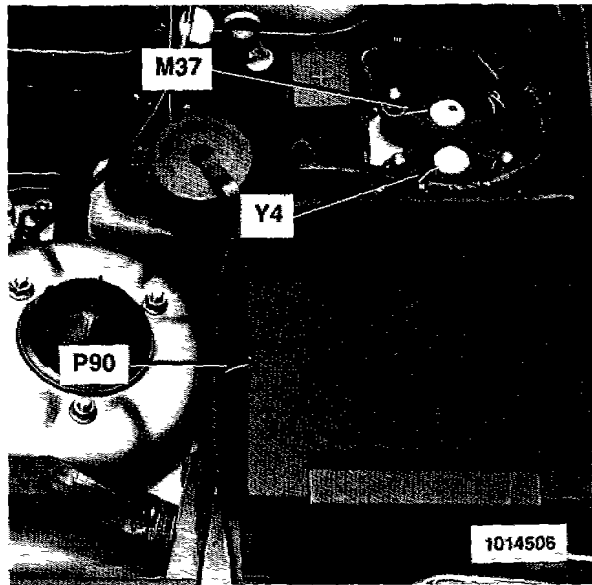


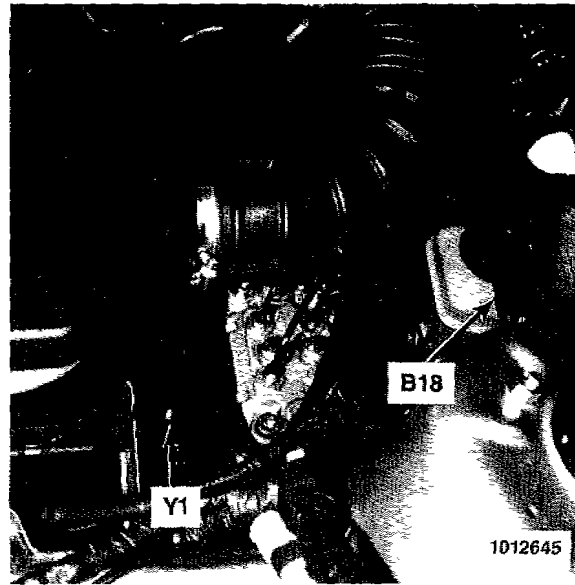
Figure 3- LH Rear Of Engine Compartment (M30 Engine Shown; M20 Engine Similar)

- D100 Diagnostic Connector**
- X20 Connector (20 pins) SW**
- X85 Conenctor (3 pins) SW**
- X122 Connector (2 pins) SW**
- X1532 Diagnostic Connector (20 pins) SW**
- X910 B+ Junction Post**



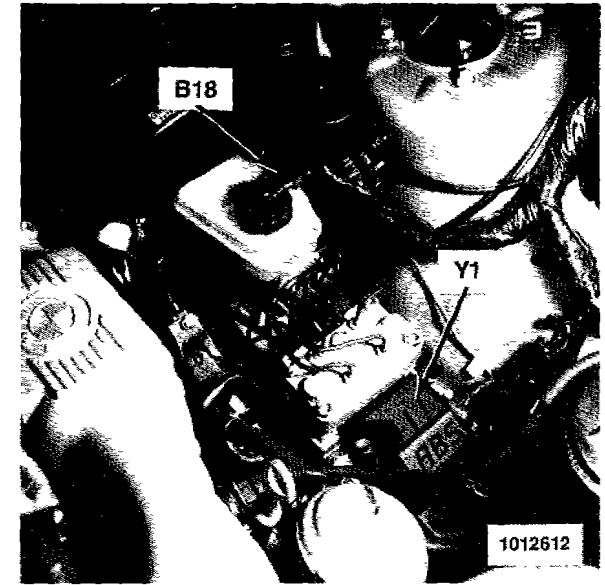
**Figure 1- LH Rear Of Engine
Compartment (M30 Engine
Shown, M20 Engine Similar)**

- M37 Water Pump (Under the Water Valves)**
- P90 Front Power Distribution Box**
- Y4 Water Valve Assembly**



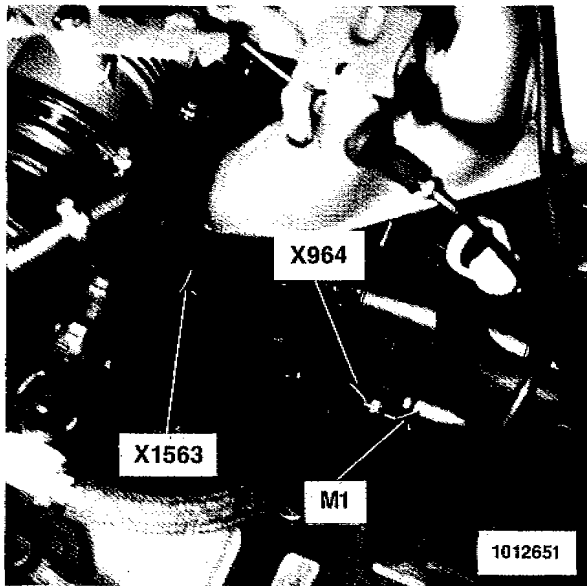
**Figure 2- LH Side Of Engine
Compartment (M20 Engine)**

- M18 Brake Fluid Level Switch**
- Y1 ABS Hydraulic Unit**



**Figure 3- LH Side Of Engine
Compartment (M30 Engine)**

- B18 Brake Fluid Level Switch**
- Y1 ABS Hydraulic Unit**



**Figure 1- LH Side Of Engine
Compartment (M20 Engine)**

M1 Starter
X964 B+ Junction Post
X1563 Connector (7 pins) SW

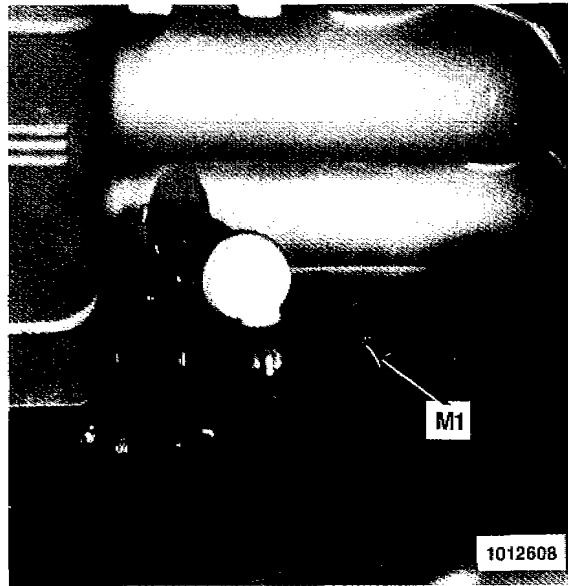


Figure 2- LH Rear Of Engine (M30 Engine)

M1 Starter

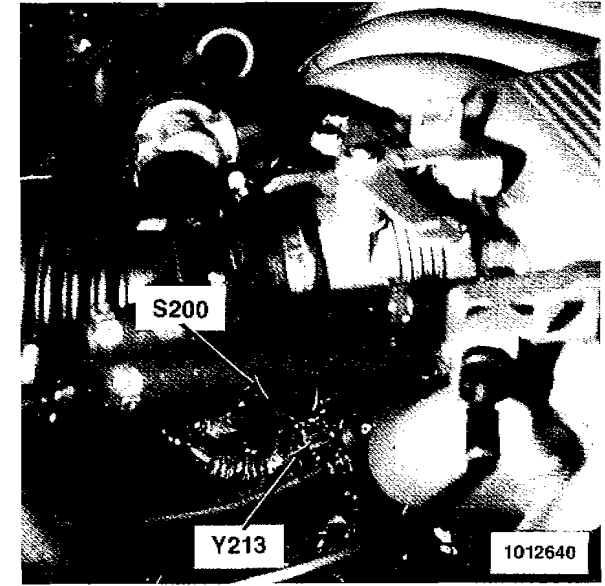


Figure 3- LH Rear Of Engine (M20 Engine)

S200 Throttle Switch
Y213 Evaporative Purge Valve

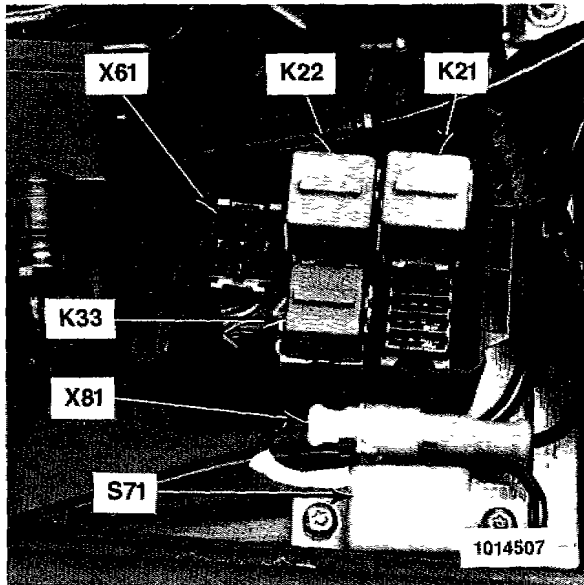


Figure 1- Top LH Side Of Engine Compartment (M30 Engine Shown, M20 Engine Similar)

- K21 Normal Speed Relay**
- K22 High Speed Relay**
- K33 Air Conditioning Relay**
- S71 Left Front Crash Sensor**
- X61 Connector (9 pins) SW**
- X81 Connector (3 pins) OR**

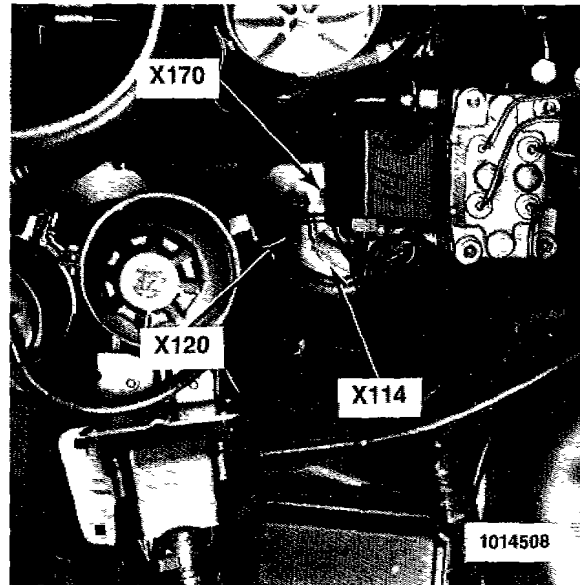


Figure 2- Lower LH Side Of Engine Compartment (M30 Engine Shown, M20 Engine Similar)

- X114 Connector (2 pins) WS**
- X120 Connector (2 pins) SW**
- X170 Terminal Post**

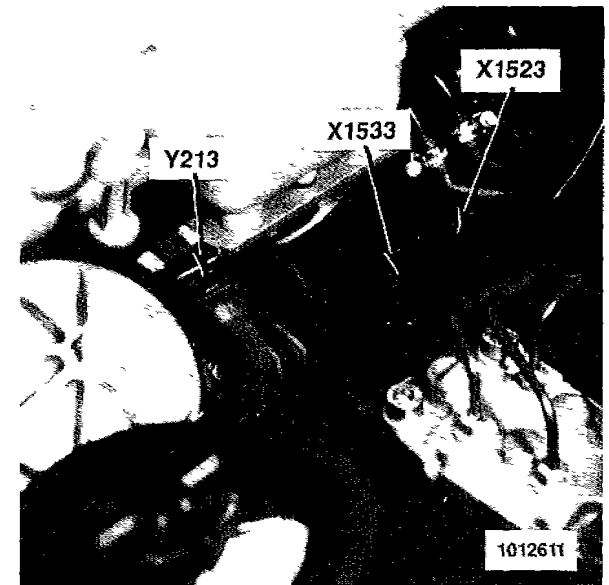


Figure 3- Lower LH Side of Engine (M30 Engine)

- Y213 Evaporative Purge Valve**
- X1523 Connector (4 pins) SW**
- X1533 Connector (3 pins) SW**

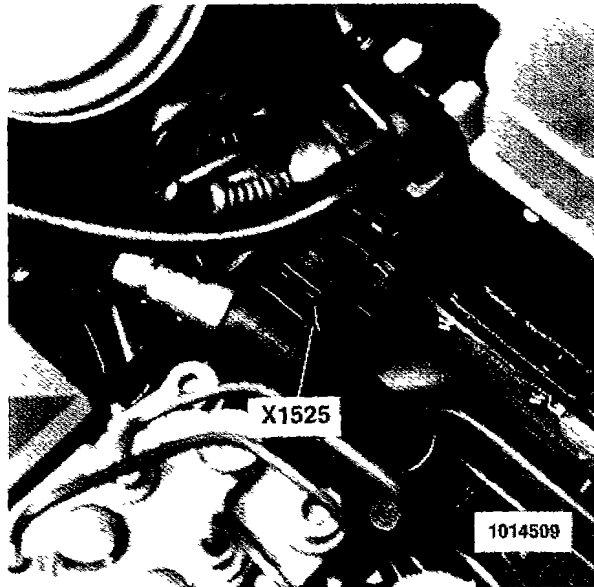


Figure 1- Lower LH Side Of Engine (M30 Engine)

X1525 Connector (3 pins) SW

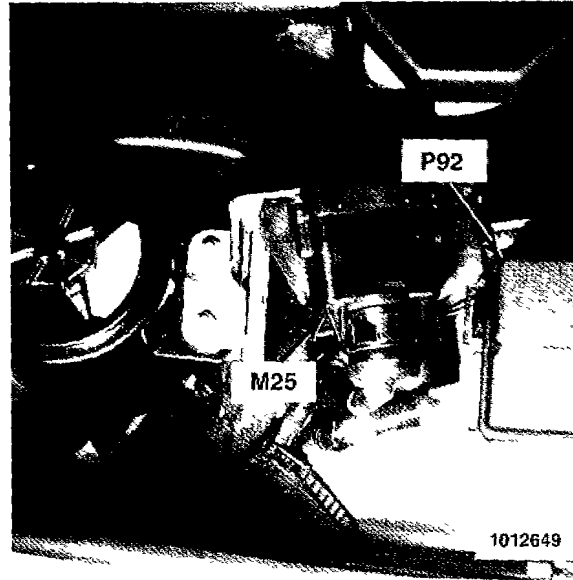


Figure 2- LH Side Of Engine Compartment (M20 Engine shown, M30 Engine Similar)

M25 Cruise Control Actuator (Tempomat)
P92 Auxiliary Relay Box



Figure 3- Top LH Side Of Engine Compartment (M20 Engine)

B208 Air Flow Meter
Y214 Idle Speed Actuator

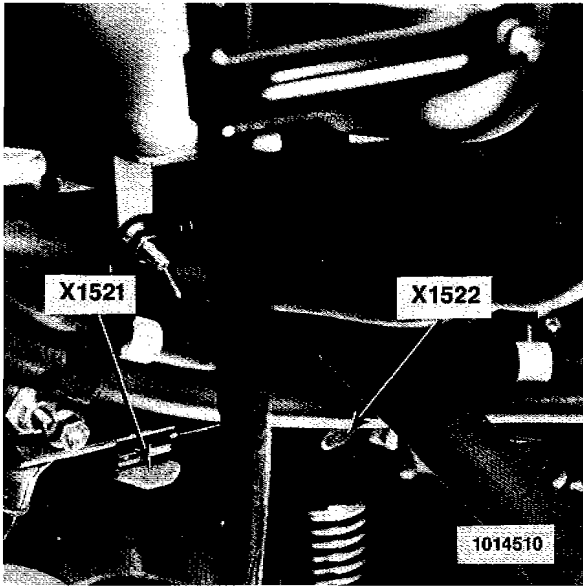


Figure 1- Lower LH Side Of Engine (M20 Engine) (Air Cleaner Assembly Removed)

- X1521 Connector (3 pins) SW**
- X1522 Connector (3 pins) SW**

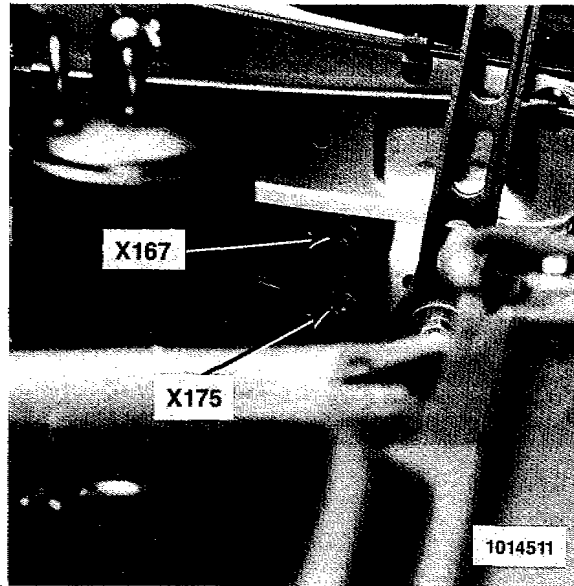


Figure 2- LH Front Of Engine Compartment (M30 Engine Shown; M20 Engine Similar)

- X167 Ground**
- X175 Ground**

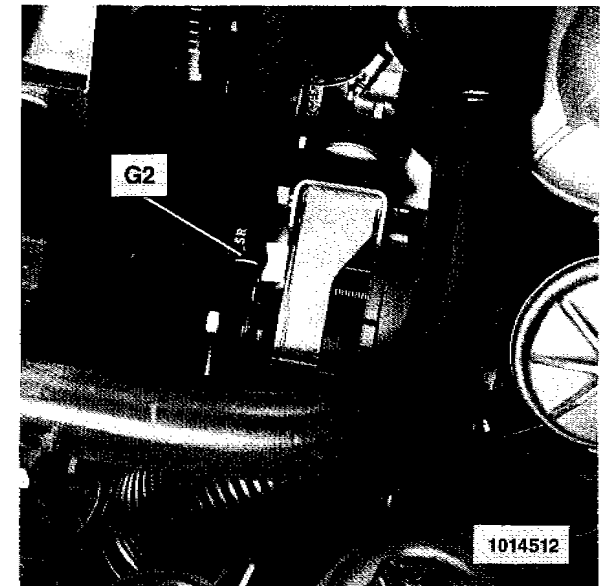


Figure 3- Lower LH Front Of Engine Compartment (M30 Engine Shown; M20 Engine Similar)

- G2 Alternator**

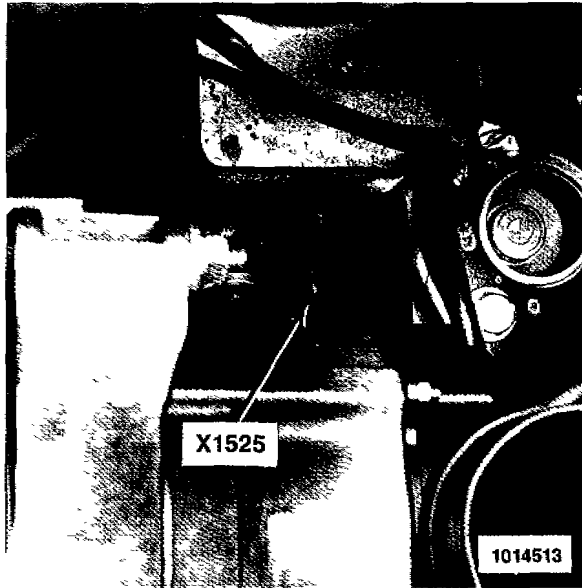


Figure 1- Lower LH Front Of Engine (M20 Engine) (Air Flow Assembly Removed)

X1525 Connector (3 pins) SW



Figure 2- LH Front Of Engine Hood

S19 Underhood Light Switch

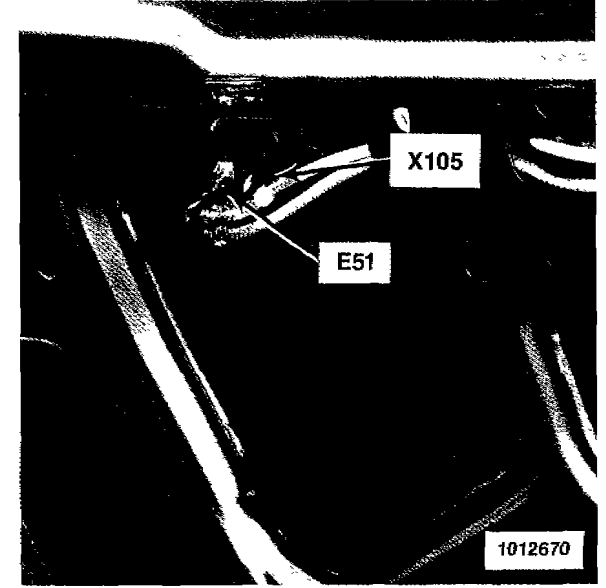


Figure 3- Rear Of Engine Compartment Hood

E51 Left Washer Jet Heater
X105 Connector (2 pins) SW

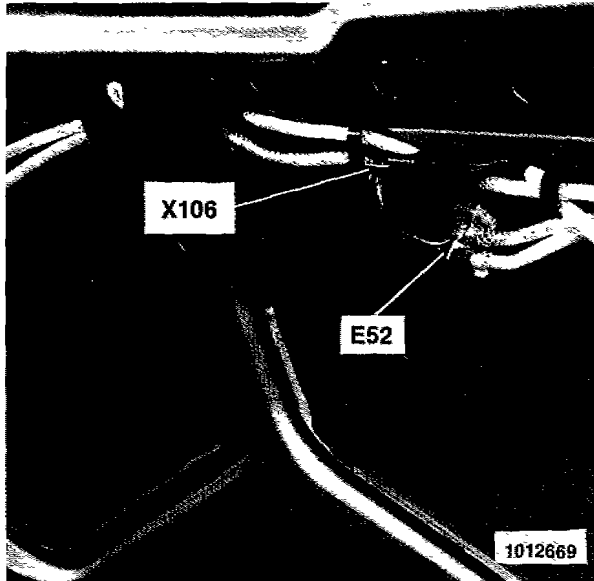


Figure 1- Rear Of Engine Compartment Hood

E52 Right Washer Jet Heater
X106 Connector (2 pins) SW

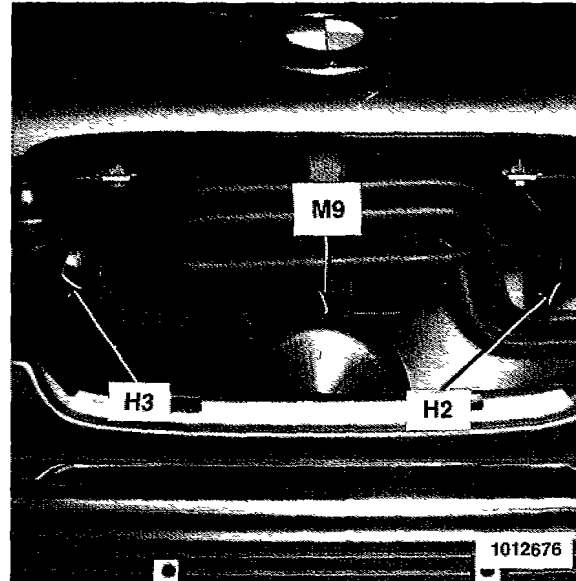


Figure 2- Front Of Car (Grille Removed)

H2 Left Horn
H3 Right Horn
M9 Auxiliary Fan Motor

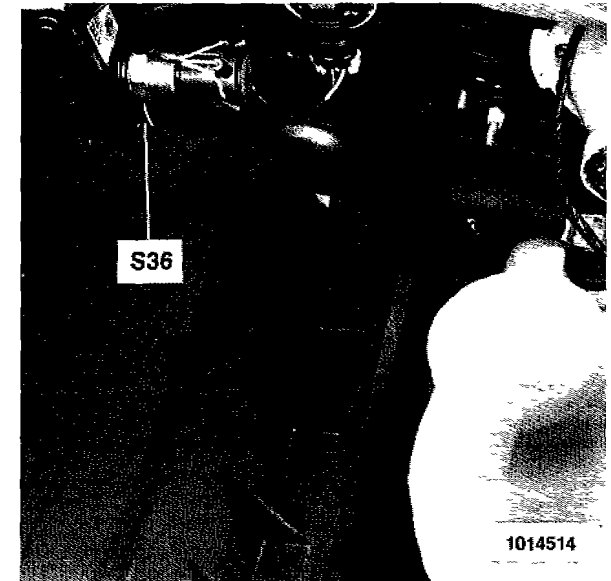


Figure 3- RH Front Of Engine Compartment (M30 Engine Shown, M20 Engine Similar)

S36 Temperature Switch

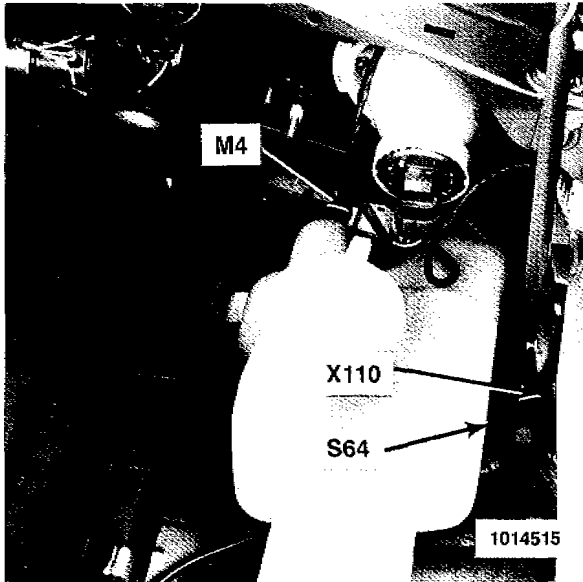


Figure 1- RH Front Of Engine Compartment (M30 Engine Shown; M20 Engine Similar)

- M4 Washer Pump**
- S64 Washer Fluid Level Switch**
- X110 Connector (2 pins) BL**

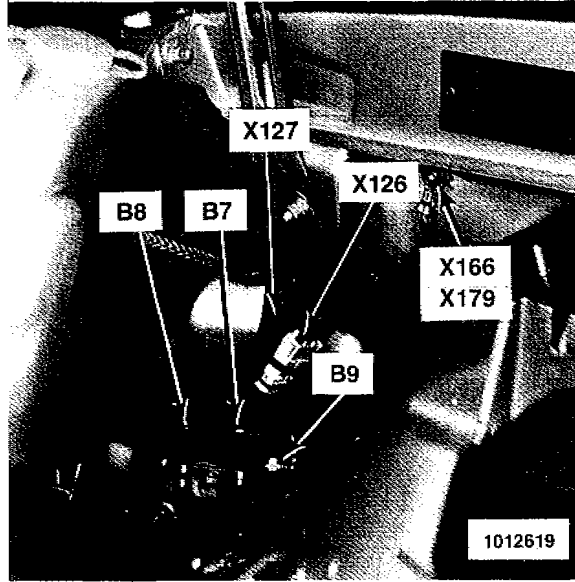


Figure 2- RH Front Of Engine Compartment (Washer Fluid Reservoir Removed)

- B7 Low Pressure Switch**
- B8 High Pressure Switch**
- B9 Intermediate Pressure Switch**
- X126 Connector (2 pins) WS**
- X127 Conector (2 pins) SW**
- X166 Ground**
- X179 Ground**

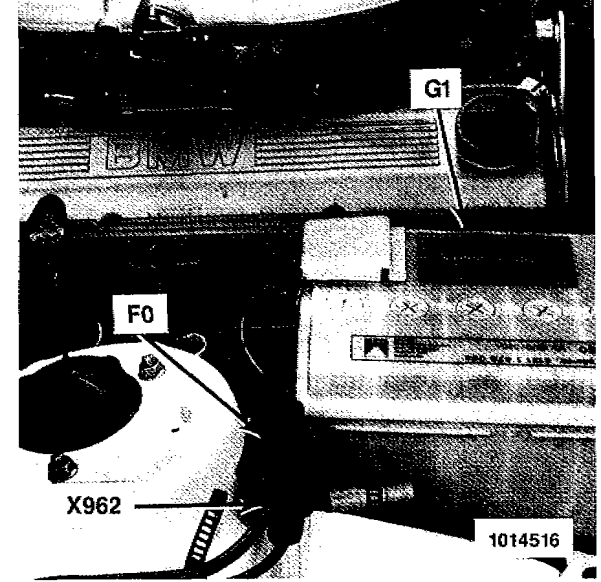


Figure 3- RH Front Of Engine Compartment (M20 Engine)

- F0 Fusible Link 80A**
- G1 Battery**
- X962 B+ Junction Post**

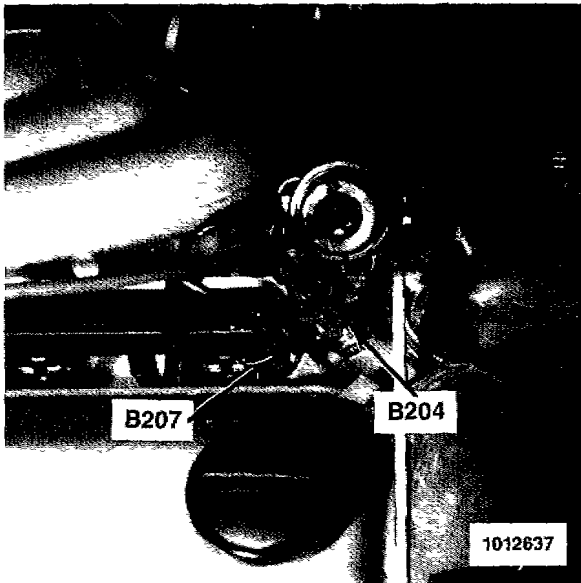


Figure 1- Top Front Of Engine (M20 Engine)

- B204 Coolant Temperature Sensor**
- B207 Coolant Temperature Sender**

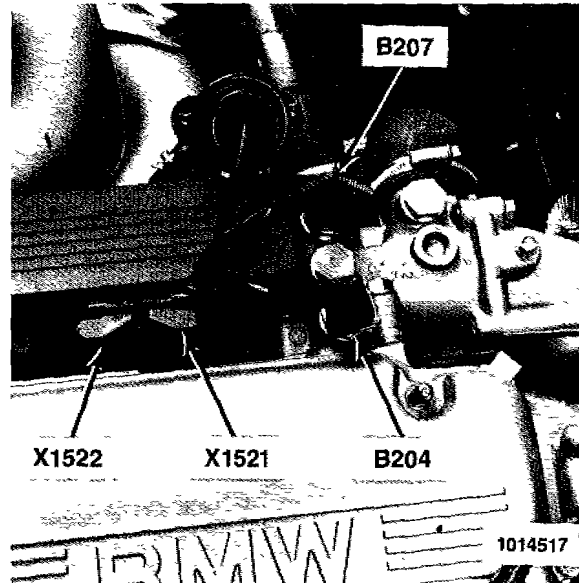


Figure 2- Top Front Of Engine (M30 Engine)

- B204 Coolant Temperature Sensor**
- B207 Coolant Temperature Sender**
- X1521 Connector (3 pins) SW**
- X1522 Connector (3 pins) SW**



Figure 3- RH Front Of Engine (M20 Engine Shown, M30 Engine Similar)

- B201 Cylinder Identification Sensor**
- B202 Engine Speed/Reference Point Sensor**

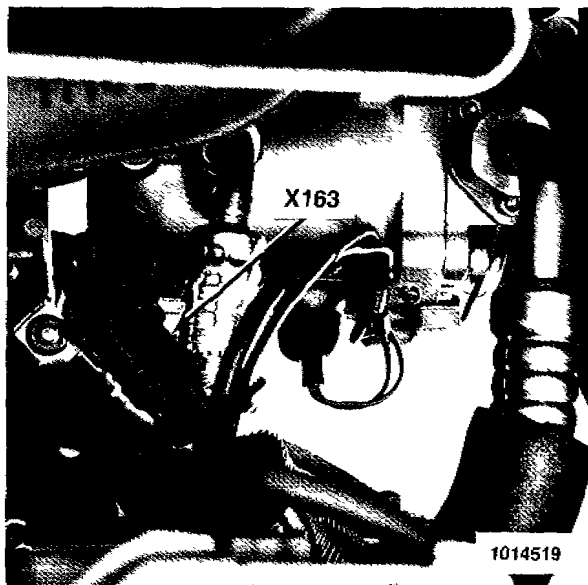


Figure 1- RH Front Of Engine (M20 Engine Shown, M30 Engine Similar)

X163 Connector (3 pins) SW

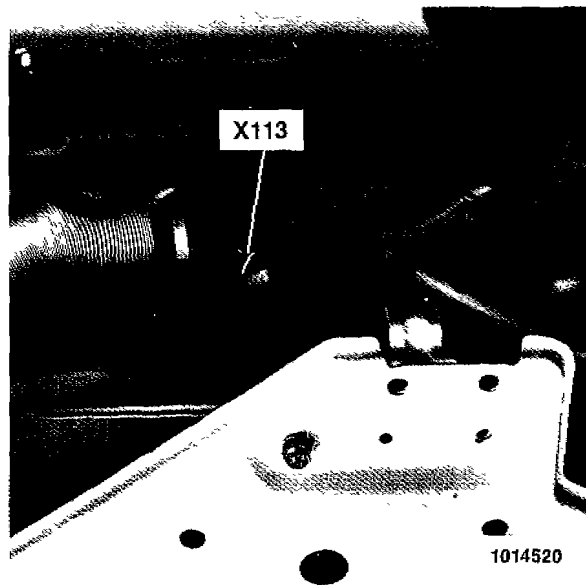


Figure 2- Lower RH Side Of Engine Compartment (M20 Engine Shown; M30 Engine Similar)

X113 Connector (2 pins) WS

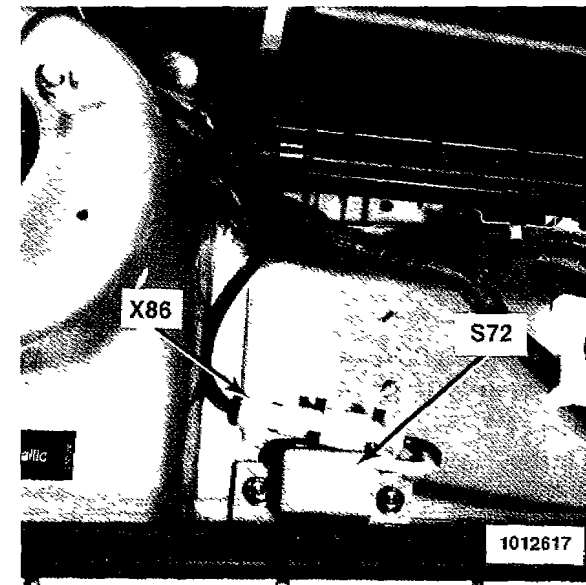


Figure 3- RH Side Of Engine Compartment (M30 Engine Shown, M20 Engine Similar)

S72 Right Front Crash Sensor
X86 Connector (3 pins) OR

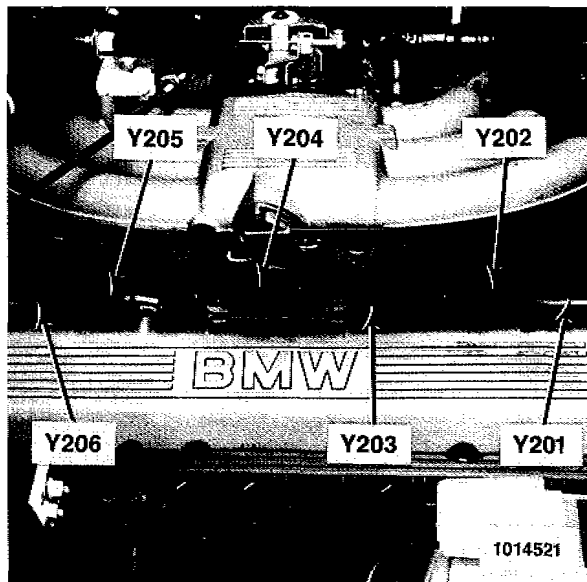


Figure 1- Top Of Engine (M20 Engine Shown; M30 Engine Similar)

- Y201 Fuel Injector 1**
- Y202 Fuel Injector 2**
- Y203 Fuel Injector 3**
- Y204 Fuel Injector 4**
- Y205 Fuel Injector 5**
- Y206 Fuel Injector 6**

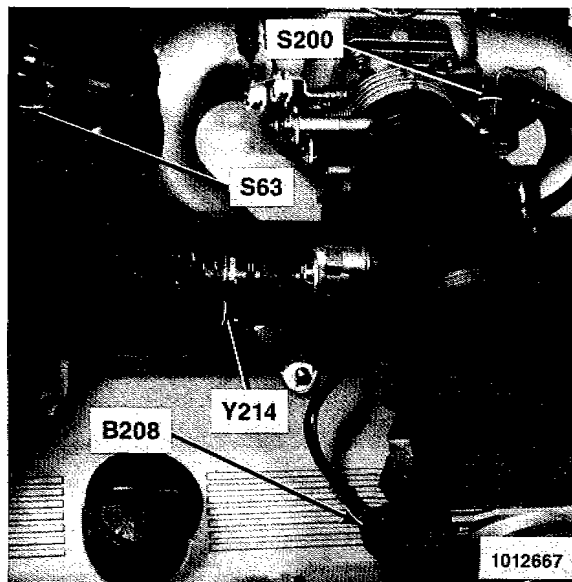


Figure 2- Top Rear Of Engine (M30 Engine)

- B208 Air Flow Meter**
- S63 Coolant Level Switch**
- S200 Throttle Switch**
- Y214 Idle Speed Actuator**

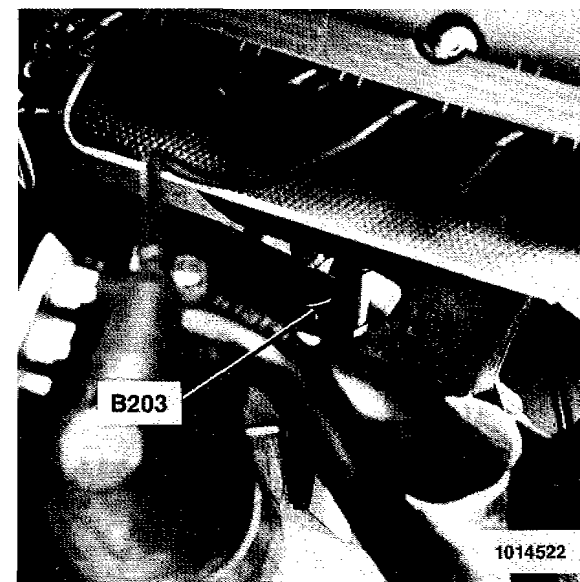


Figure 3- Lower RH Rear Of Engine (M20 Engine Shown; M30 Engine Similar)

- B203 Oxygen Sensor**

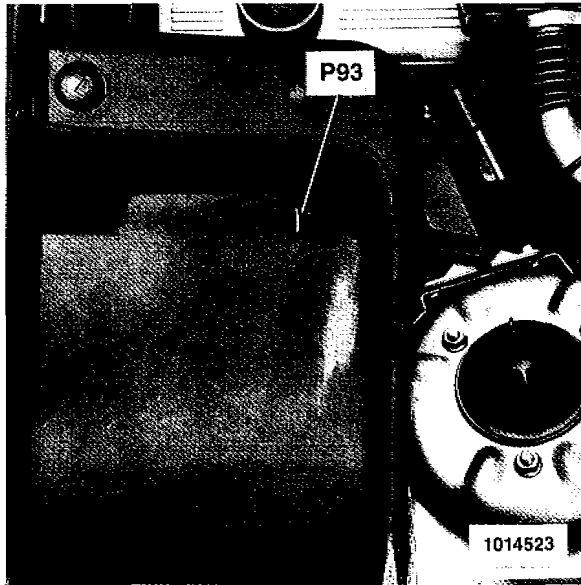


Figure 1- RH Rear Of Engine Compartment

P93 E-Box

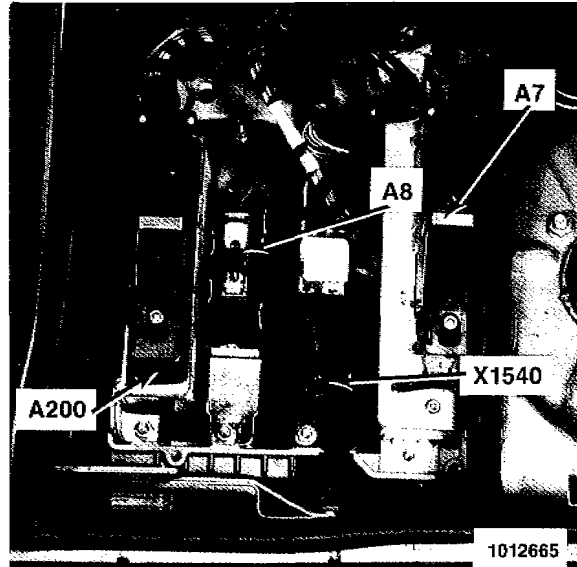


Figure 2- RH Rear Of Engine Compartment

- A7 ABS Electronic Control Unit**
- A8 Cruise Control Module (Tempomat)**
- A200 Motronic Control Unit (DME)**
- X1540 B+ Junction Post for E-Box**

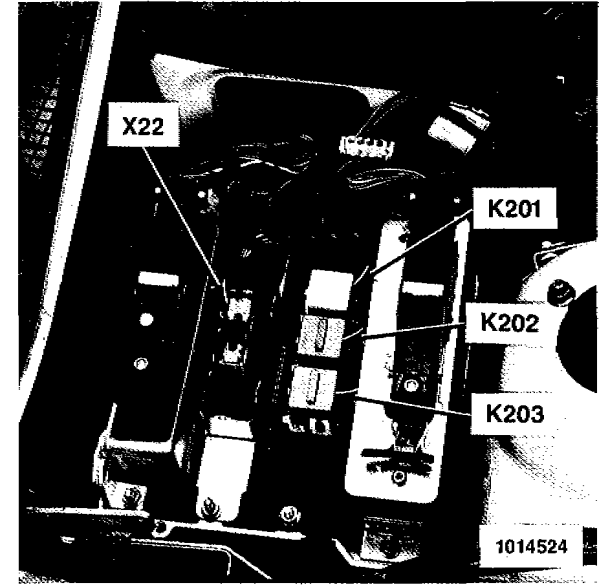


Figure 3- RH Rear Of Engine Compartment (M30 Engine)

- K201 Fuel Pump Relay**
- K202 Main Relay**
- K203 Oxygen Sensor Relay**
- X22 Connector (26 pins) BL**

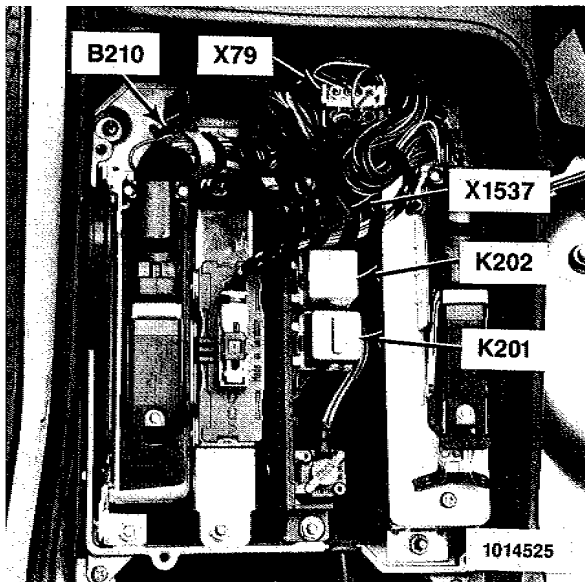


Figure 1- RH Rear Of Engine Compartment (M20 Engine)

- B210** Temperature Switch
- K201** Fuel Pump Relay
- K202** Main Relay
- X79** Connector (4 pins) WS
- X1537** Connector (8 pins) SW

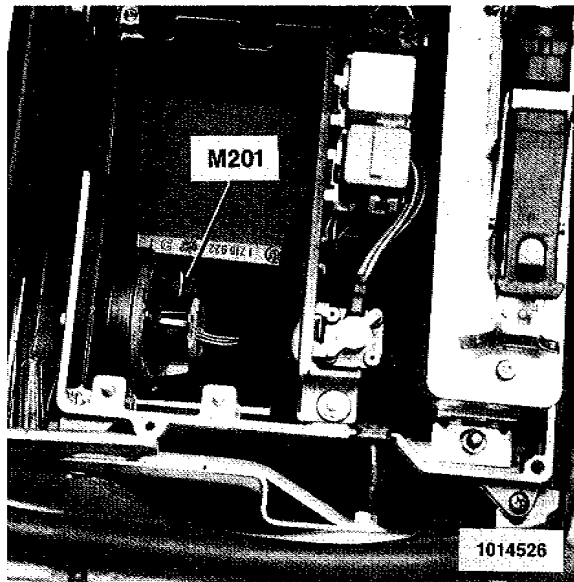


Figure 2- RH Rear Of Engine Compartment (M30 Engine Shown; M20 Engine Similar) Modules Removed

- M201** E-Box Fan

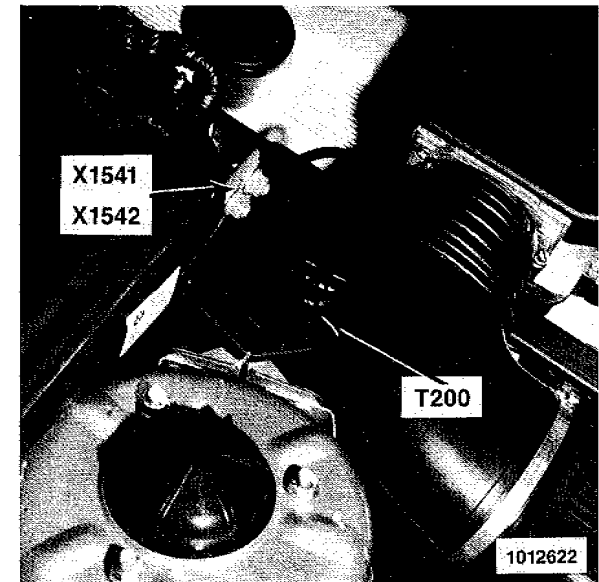


Figure 3- RH Rear Of Engine Compartment (M30 Engine Shown; M20 Engine Similar)

- T200** Ignition Coil
- X1541** Ground
- X1542** Ground



**Figure 1- RH Rear Of Engine
Compartment (M20 Engine)**

X1523 Connector (4 pins) SW

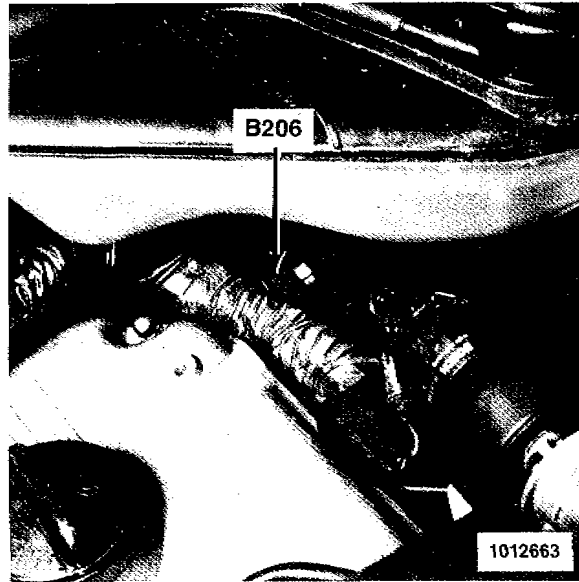


Figure 2- Rear Of Engine (M30 Engine)

B206 Oil Pressure Switch

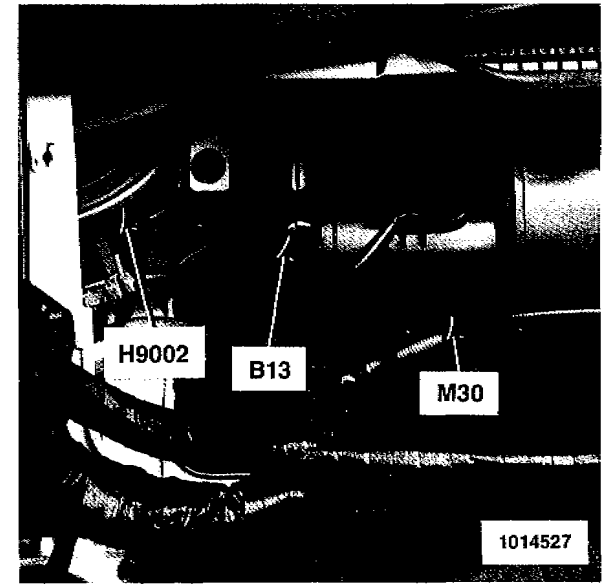


Figure 3- Behind Center Of Cowl Panel

B13 Outside Temperature Sensor
**H9002 On Board Computer Antitheft
Horn**
M30 Blower Motor

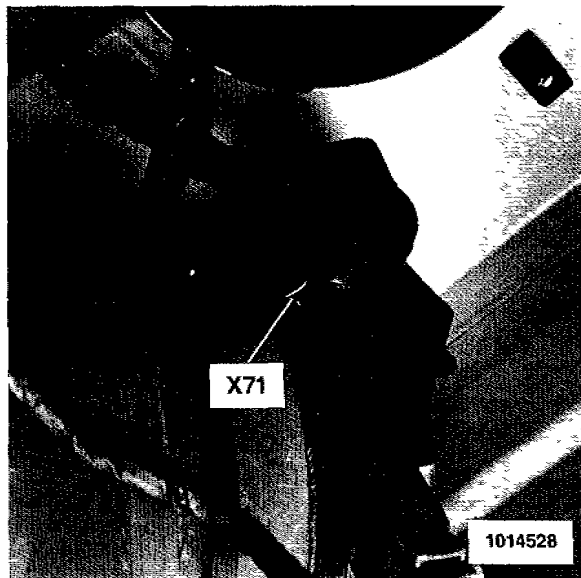


Figure 1- Under LH Side Of Front Bumper
X71 Connector (8 pins) SW

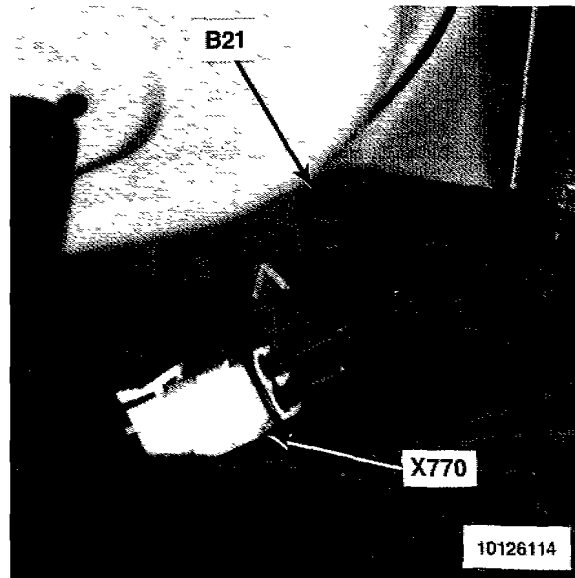


Figure 2- Under LH Side Of Front Bumper
B21 On-Board Computer Temperature Sensor
X770 Connector (2 pins) WS

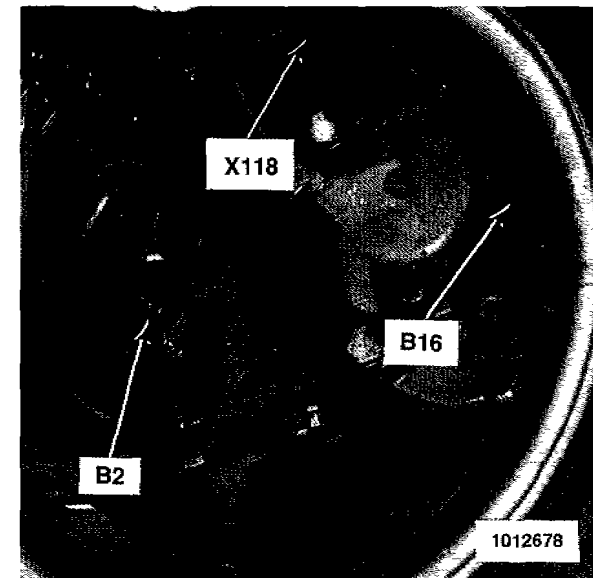


Figure 3- Behind LH Front Wheel
B2 Left Front Speed Sensor
B16 Left Front Brake Pad Sensor
X118 Connector (2 pins) SW

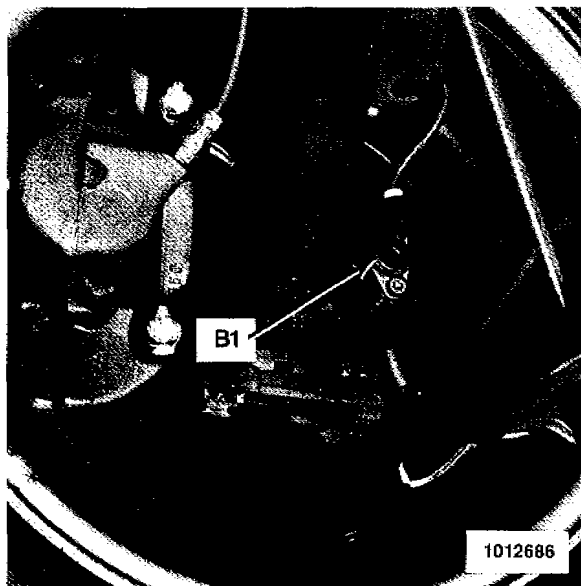


Figure 1- Behind RH Front Wheel
B1 Right Front Speed Sensor

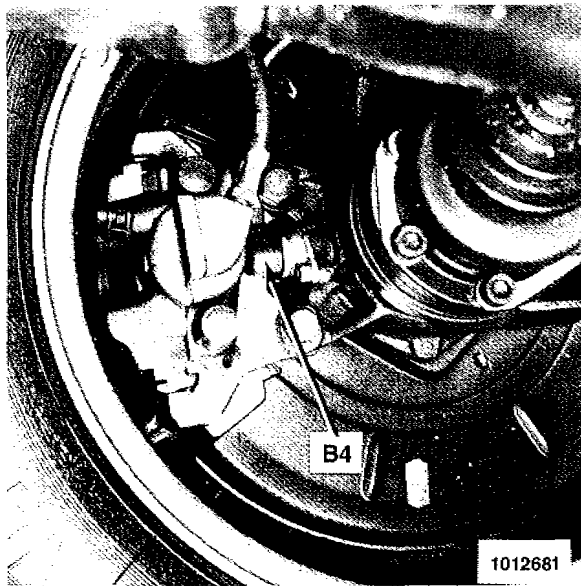


Figure 2- Behind LH Rear Wheel
B4 Left Rear Speed Sensor

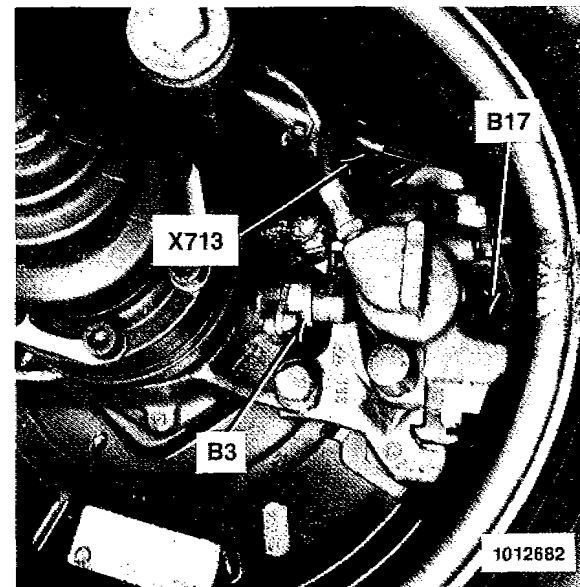


Figure 3- Behind RH Rear Wheel
B3 Right Rear Speed Sensor
B17 Right Rear Brake Pad Sensor
X713 Connector (2 pins) SW

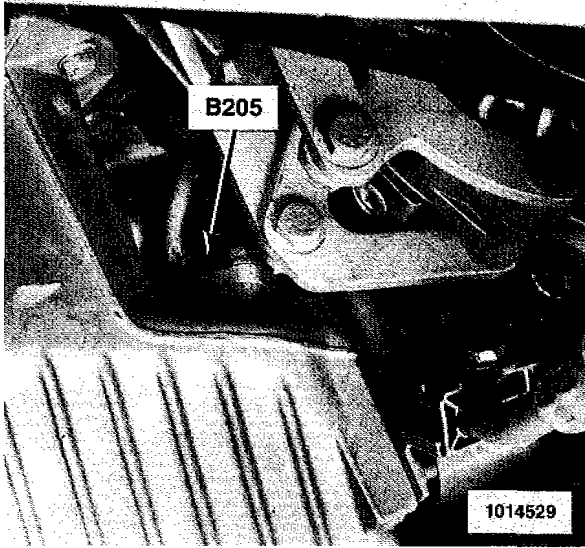


Figure 1- Lower LH Front Of Engine (M20 Engine)

B205 Oil Level Sensor

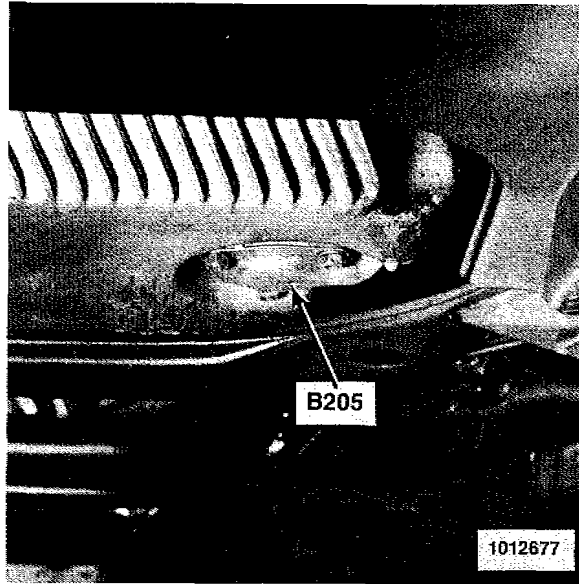


Figure 2- Lower Front Of Engine (M30 Engine)

B205 Oil Level Sensor

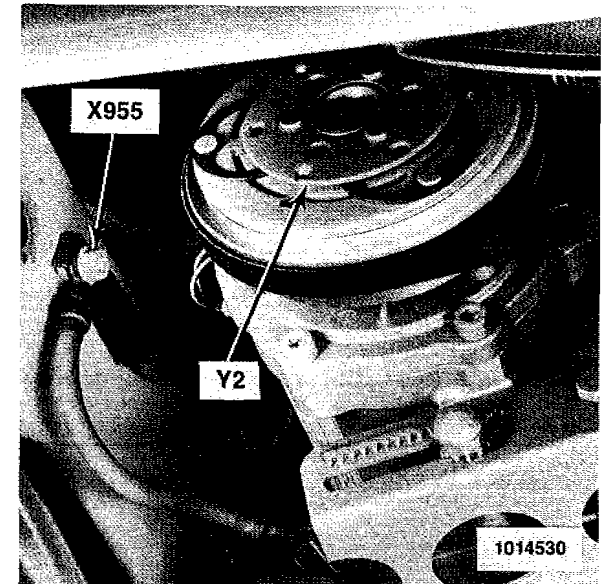


Figure 3- Lower RH Front Of Engine (M20 Engine Shown; M30 Engine Similar)

Y2 Compressor Clutch
X955 Ground

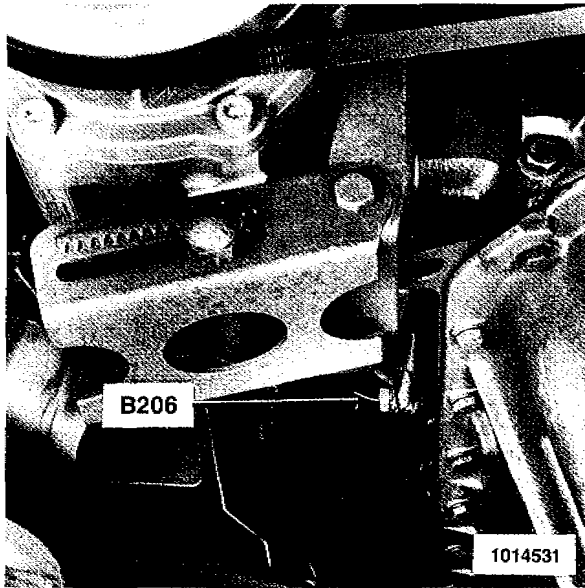


Figure 1- Lower RH Side Of Engine (M20 Engine)

B206 Oil Pressure Switch

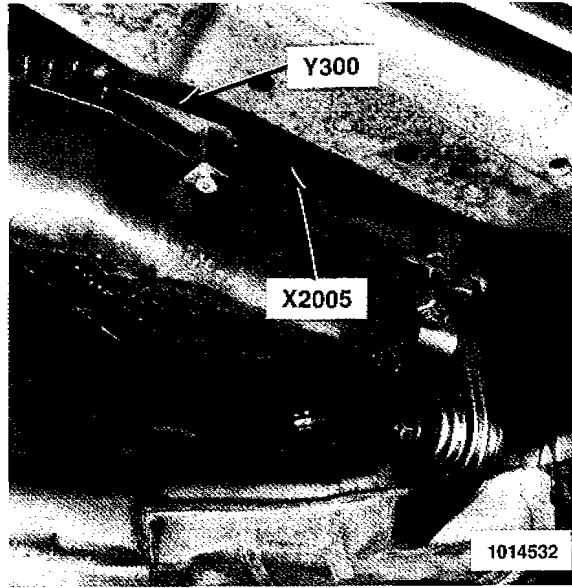


Figure 2- LH Side Of Transmission

Y300 Transmission
X2005 Connector (8 pins) SW

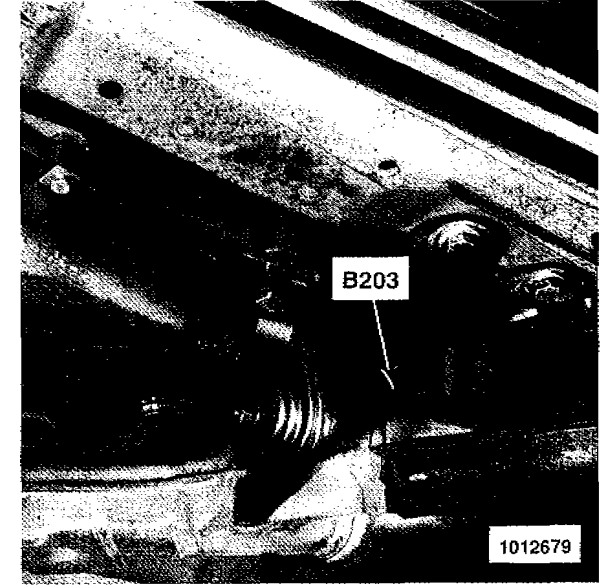


Figure 3- LH Side Of Transmission (M30 Engine)

B203 Oxygen Sensor

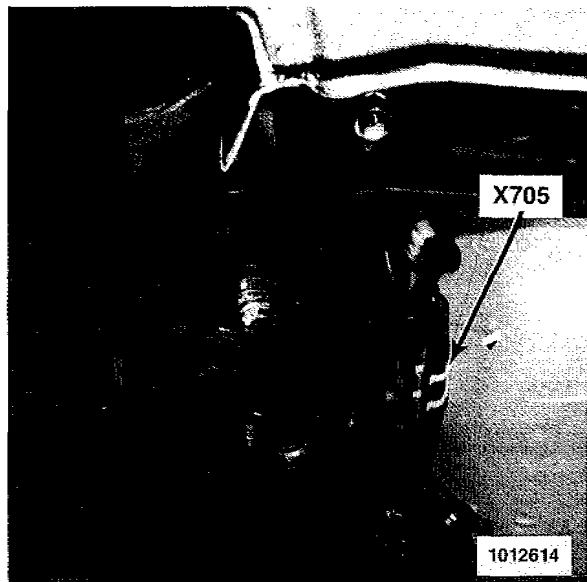


Figure 1- Front Of RH Wheel Well

X705 Connector (2 pins) SW

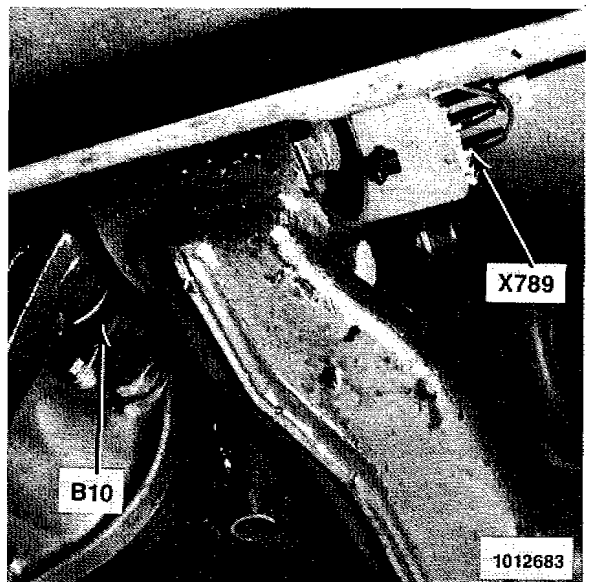


Figure 2- Rear Of Car, On Differential

B10 Vehicle Speed Sensor
X789 Connector (2 pins) GE

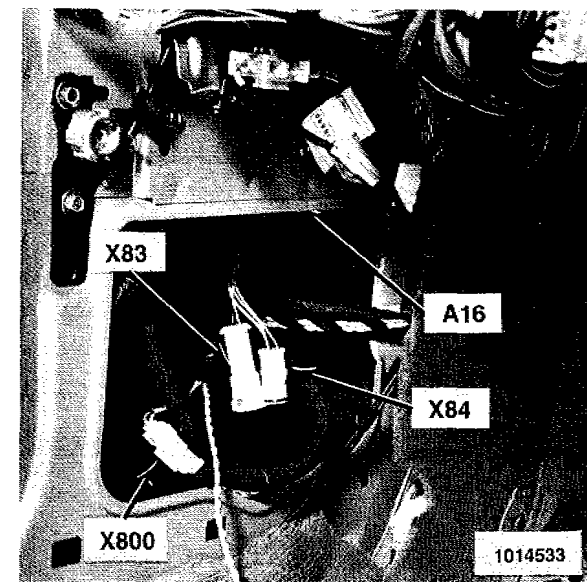


Figure 3- Inside LH Kick Panel

A16 Compressor Control Unit
X83 Connector (3 pins) GE
X84 Connector (3 pins) GE
X800 Connector (2 pins) WS

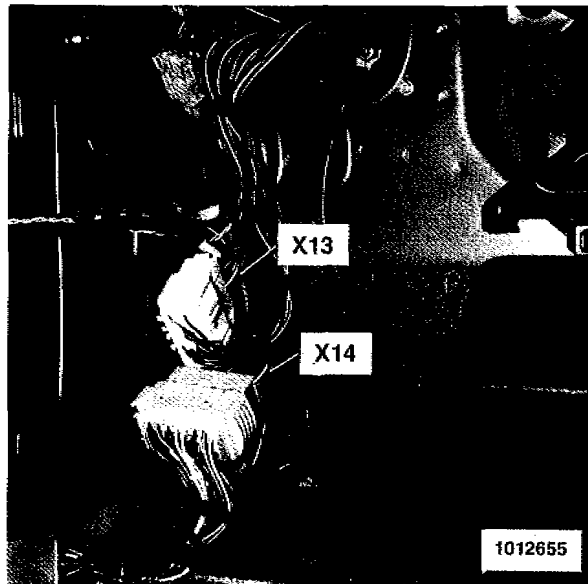


Figure 1- Below LH Side Of Dash, Below Driver's Footrest

- X13 Connector (21 pins) WS
- X14 Connector (30 pins) GE

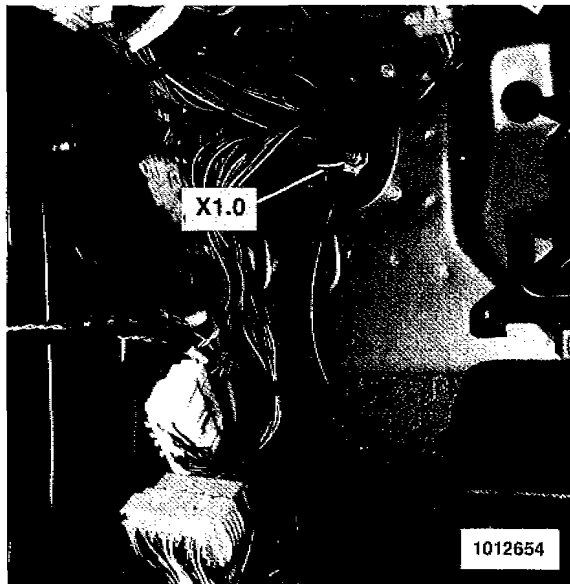


Figure 2- Behind LH Side Of Dash

- X1.0 Junction Post For Front Power Distribution Box

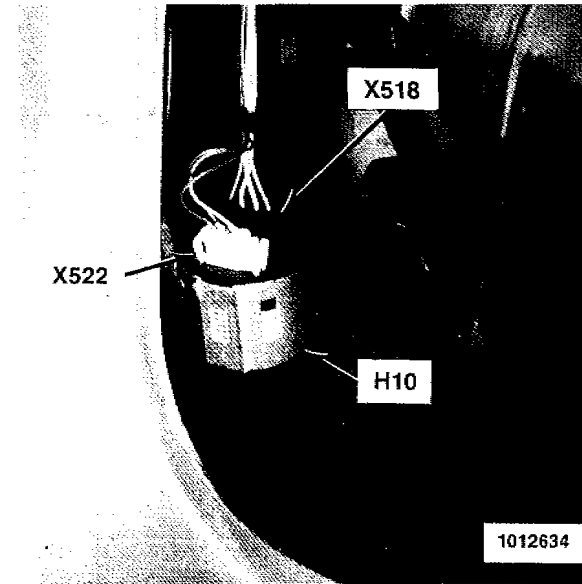


Figure 3- Behind LH Side Of Dash

- H10 Chime Module
- X518 Connector (4 pins) SW
- X522 Connector (3 pins) WS

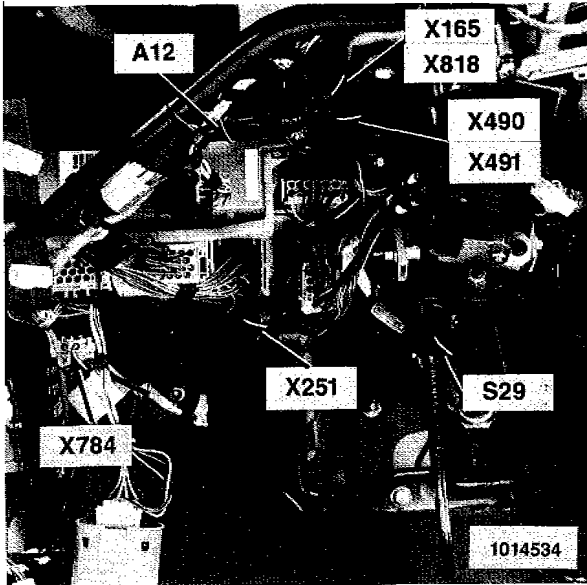


Figure 1- Behind LH Side Of Dash, LH Side Of Steering Column

- A12 Diagnostic Module (SRS)**
- S29 Brake Light Switch**
- X251 Connector (30 pins) SW**
- X784 Connector (2 pins) OR**
- X165 Ground**
- X490 Ground**
- X491 Ground**
- X818 Ground**

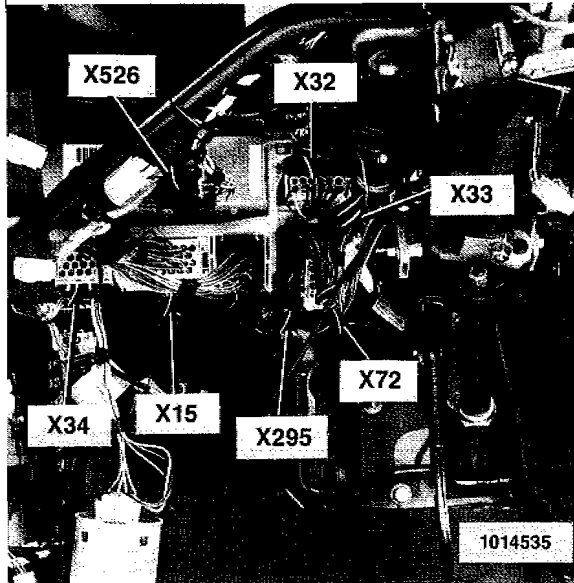


Figure 2- Behind LH Side Of Dash, LH Side Of Steering Column

- X15 Connector (30 pins) WS**
- X32 Connector (12 pins) WS**
- X33 Connector (12 pins) SW**
- X34 Connector (21 pins) WS**
- X72 Connector (8 pins) WS**
- X295 Connector (8 pins) SW**
- X526 Connector (8 pins) SW**

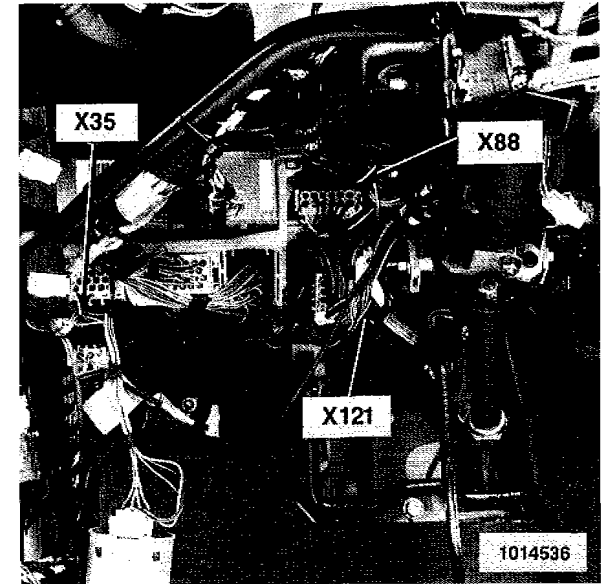


Figure 3- Behind LH Side Of Dash, LH Side Of Steering Column

- X35 Connector (21 pins) SW**
- X88 Connector (3 pins) SW**
- X121 Connector (2 pins) WS**

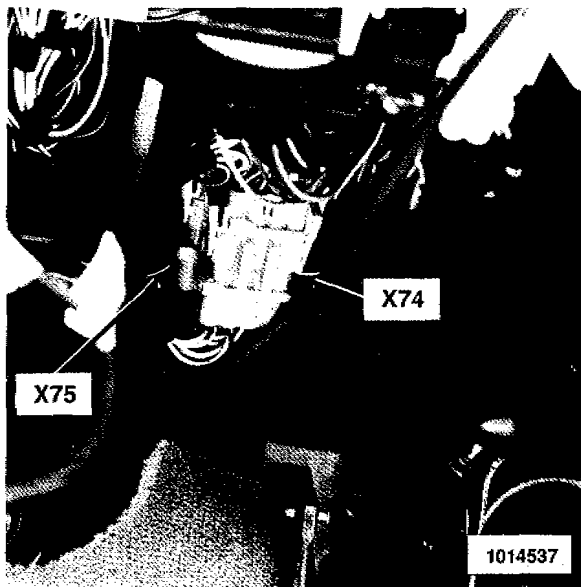


Figure 1- Behind LH Side Of Dash, LH Side Of Steering Column

X74 Connector (8 pins) OR
X75 Connector (6 pins) OR

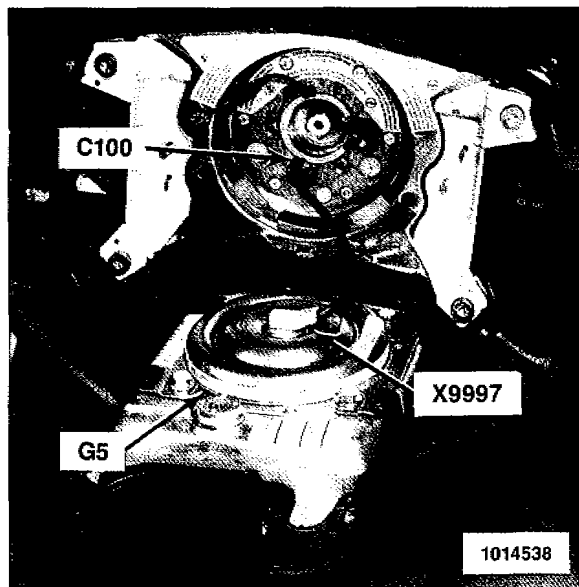


Figure 2- Inside Steering Wheel

C100 Contact Ring
G5 Driver's Air Bag Generator
X9997 Connector (2 pins) OR

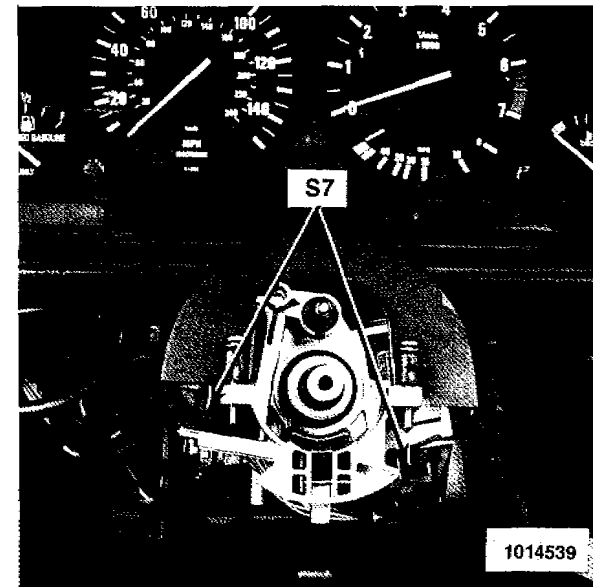


Figure 3- Top Of Steering Column (Steering Wheel Removed)

S7 Combination Switch

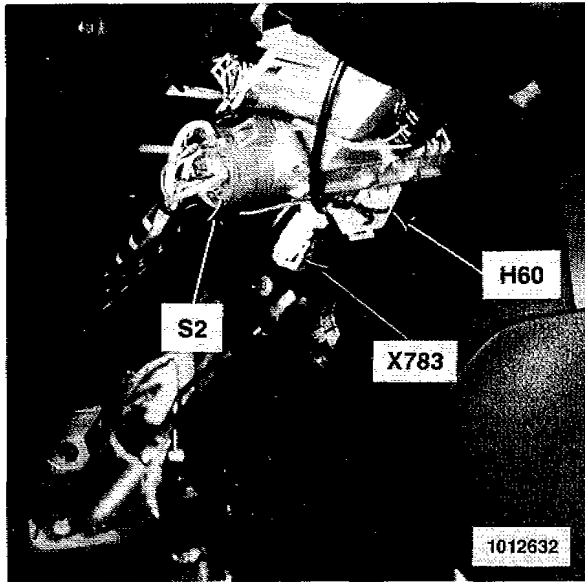


Figure 1- Underside Of Steering Column

- H60 Audible Turn-Signal Relay
- S2 Ignition Switch
- X783 Connector (2 pins) OR

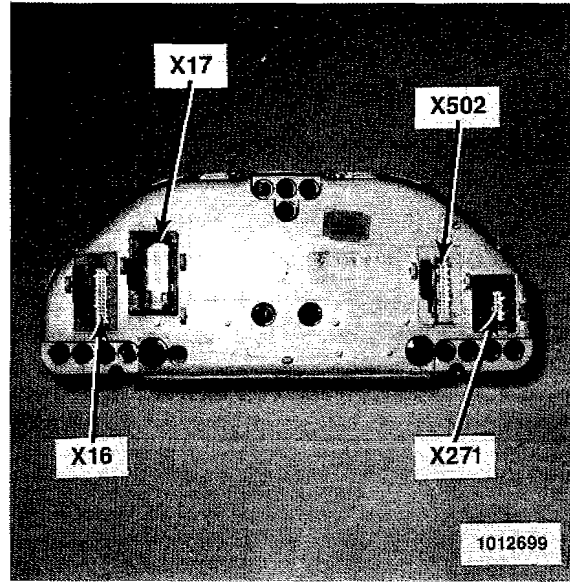


Figure 2- Rear Of Instrument Cluster

- X16 Connector (26 pins) GE
- X17 Connector (24 pins) BR
- X271 Connector (12 pins) GR
- X502 Connector (26 pins) WS

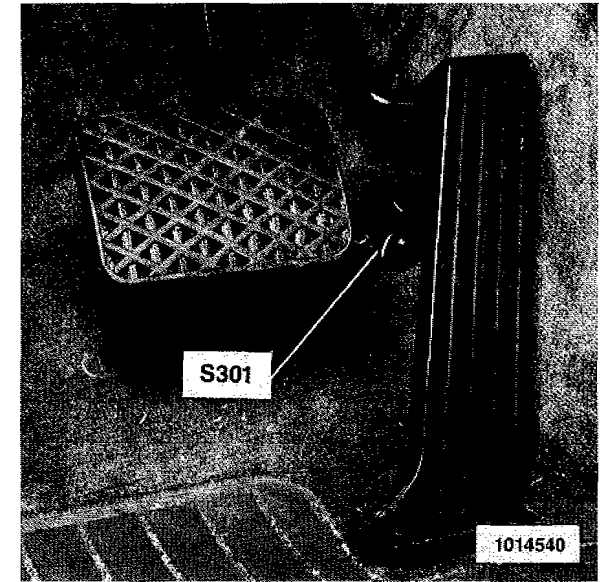


Figure 3- Below LH Side Of Dash

- S301 Transmission Kickdown Switch

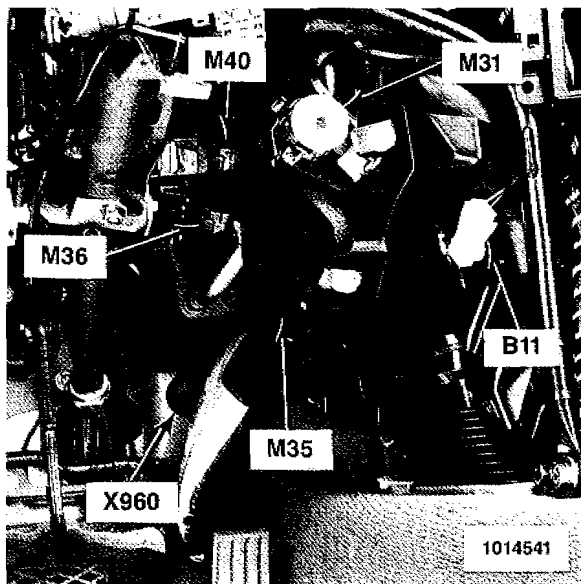


Figure 1- Behind Center Of Dash, LH Side Of IHKR Plenum

- B11** Left Heat Exchanger Temperature Sensor
- M31** Left Footwell Flap Motor
- M35** Defroster Flap Motor
- M36** Fresh Air Flap Motor
- M40** Air Circulation Flap Motor
- X960** B+ Junction Post

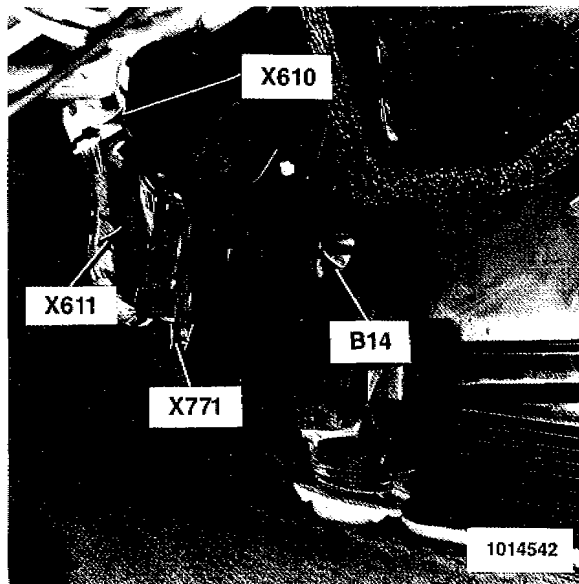


Figure 2- Behind Center Of Dash, LH Side Of IHKA Plenum

- B14** Evaporator Temperature Sensor
- X610** Connector (26 pins) WS
- X611** Connector (26 pins) GN
- X771** Connector (2 pins) SW

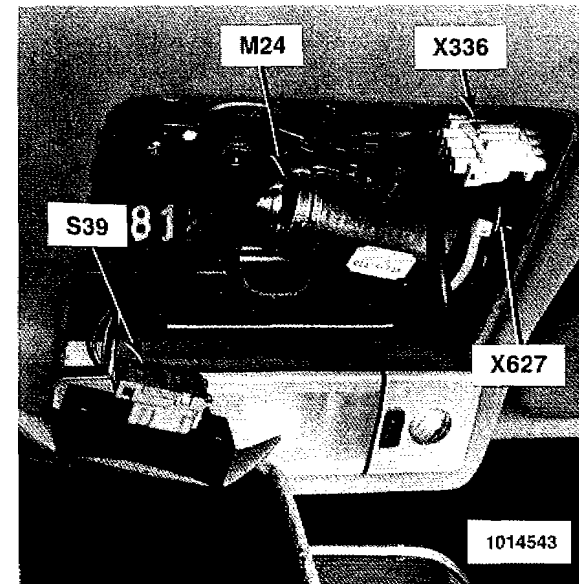


Figure 3- Center Of Windshield Header

- M24** Sunroof Motor
- S39** Sunroof Position Switch
- X336** Connector (4 pins) WS
- X627** Connector (8 pins) SW

BMW **5** **COMPONENT LOCATION VIEWS**

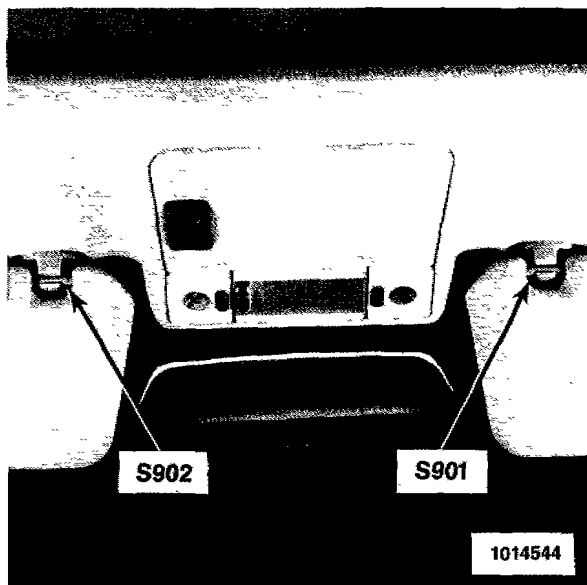


Figure 1- Center Of Winshield Header

- S901 Passenger's Visor Switch**
- S902 Driver's Visor Switch**

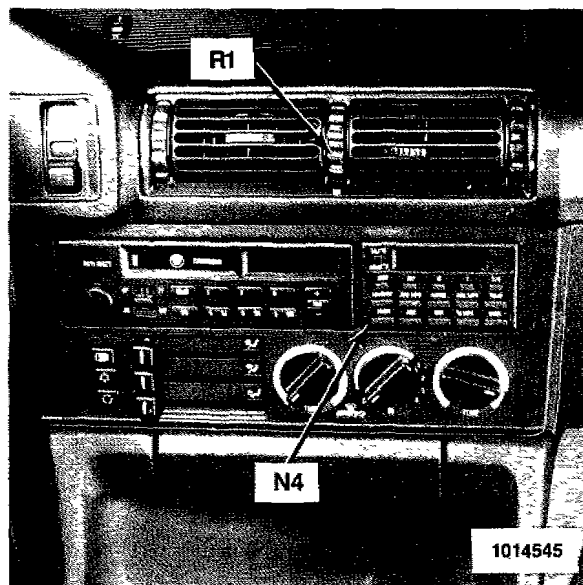


Figure 2- Center Of Dash

- N4 On-Board Computer Module**
- R1 Temperature Distribution Potentiometer**

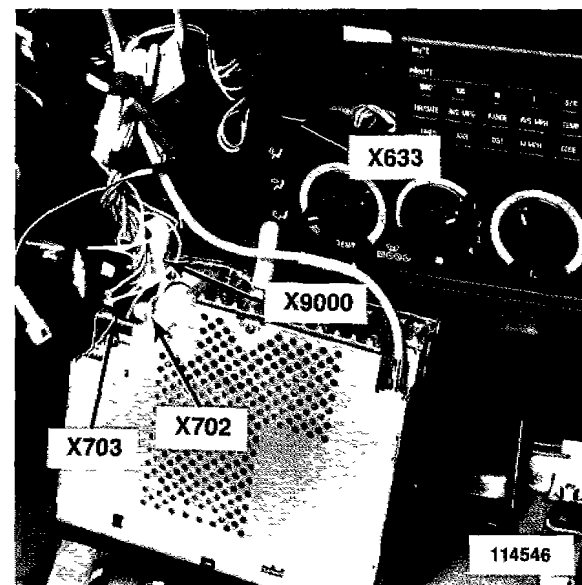


Figure 3- Behind Center Of Dash

- X633 Connector (8 pins) SW**
- X702 Connector (2 pins) WS**
- X703 Connector (2 pins) SW**
- X9000 Connector (2 pins) SW**

BMW
5 **COMPONENT LOCATION VIEWS**

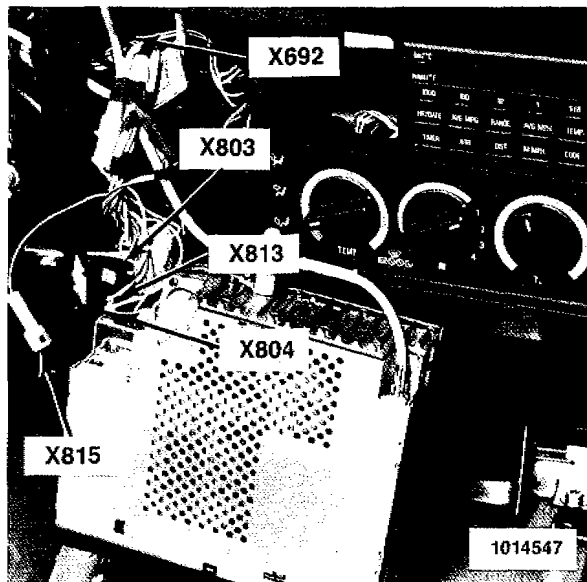


Figure 1- Behind Center Of Dash

- X692 Connector (3 pins) SW
- X803 Connector (2 pins) SW
- X804 Connector (2 pins) WS
- X813 Connector (1 pin) SW
- X815 Connector (1 pin) WS

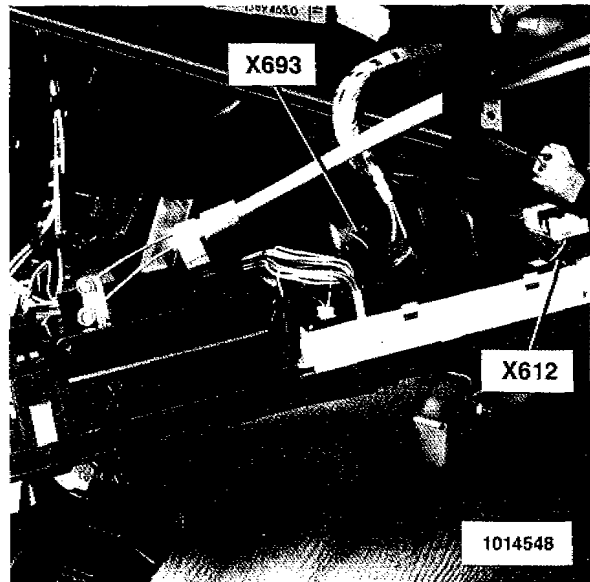


Figure 2- Behind Center Of Dash

- X612 Connector (26 pins) BL
- X693 Connector (3 pins) SW

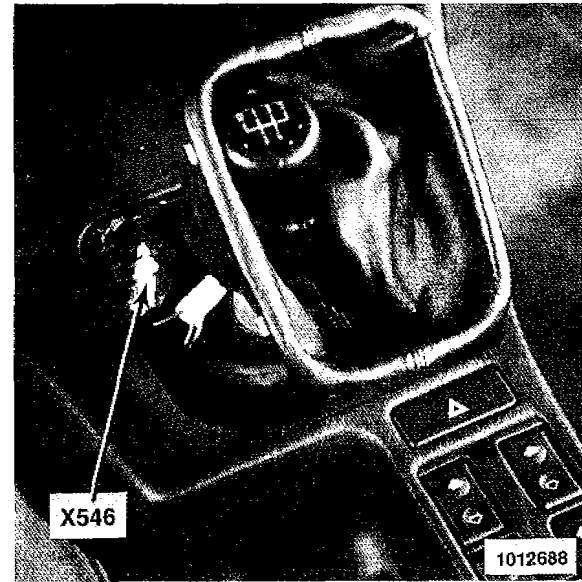


Figure 3- Below Center Console

- X546 Connector (2 pins) WS

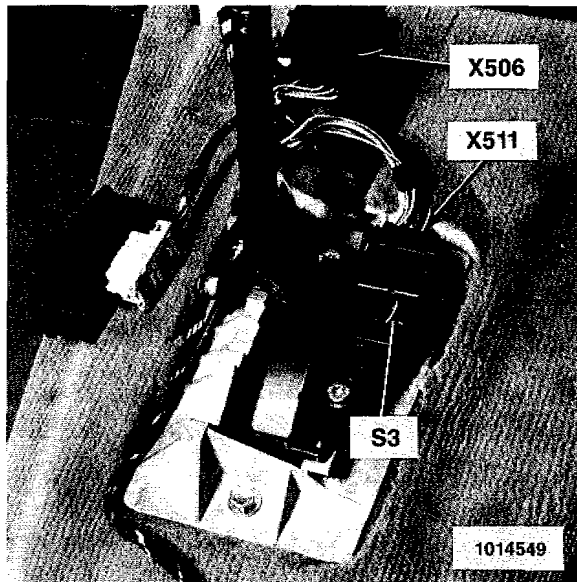


Figure 1- Below Center Console (Console Removed)

- S3 Automatic Transmission Range Switch**
- X506 Connector (12 pins) SW**
- X511 Connector (8 pins) SW**

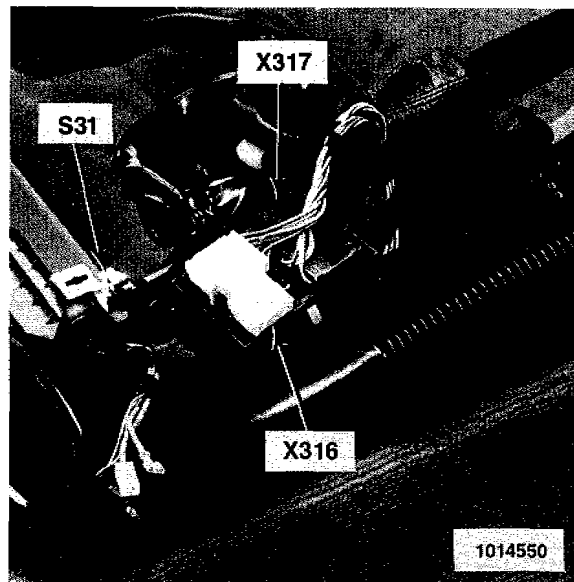


Figure 2- Below Center Console (Console Removed)

- S31 Park Brake Switch**
- X316 Connector (6 pins) WS**
- X317 Connector (6 pins) SW**

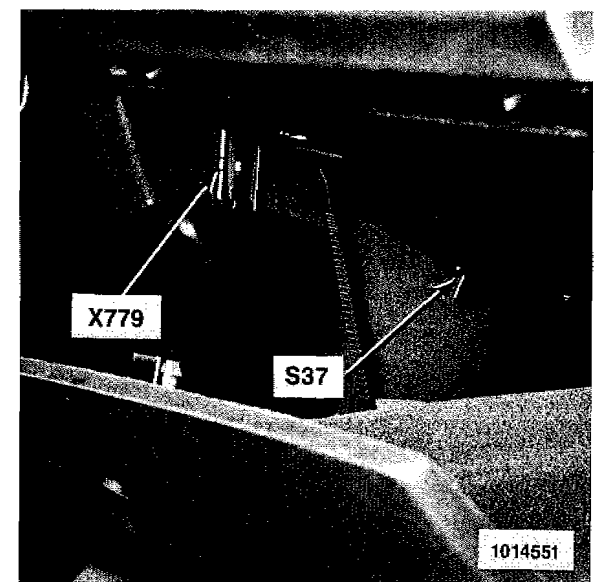


Figure 3- In LH Side Of Glove Box

- S37 Glove Box Light Switch**
- X779 Charging Plug**

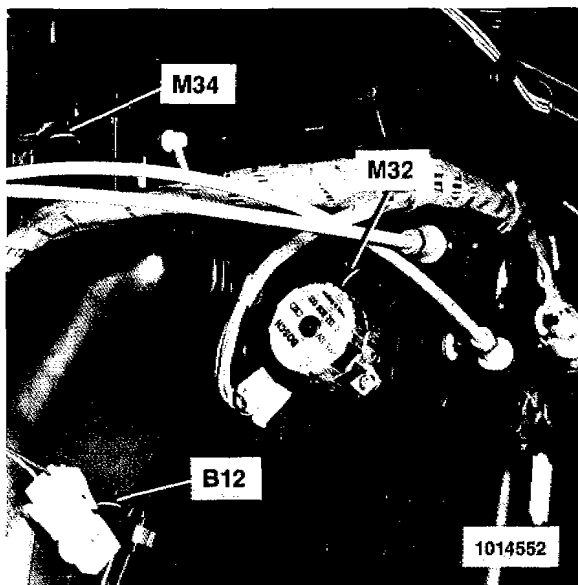


Figure 1- Behind Center Of Dash, RH Side of IHKR Plenum

- B12** Right Heat Exchanger Temperature Sensor
- M32** Right Footwell Flap Motor
- M34** Right Mixing Flap Motor

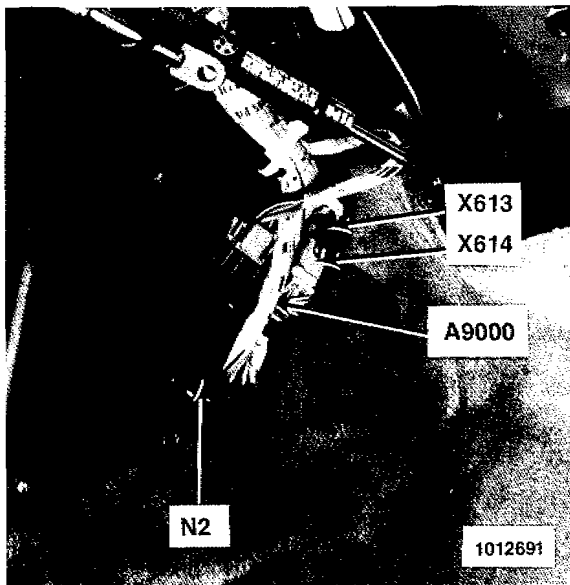


Figure 2- Behind Center Of Dash LH Side Of IHKA Plenum

- A9000** Integrated Climate Regulation Control Unit (IHKR)
- N2** Final Stage Unit
- X613** Connector (26 pins) BL
- X614** Connector (26 pins) GE

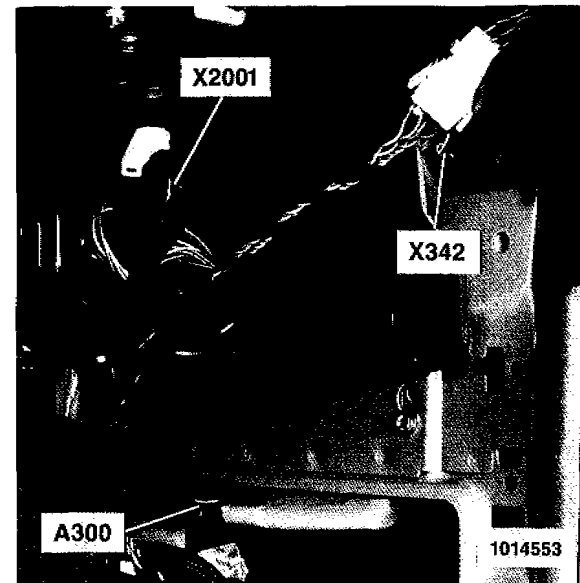


Figure 3- Behind RH Side Of Dash, at Kick Panel

- A300** Electronic Transmission Control Unit (AEGS)
- X342** Connector (4 pins) WS
- X2001** Connector (12 pins) SW

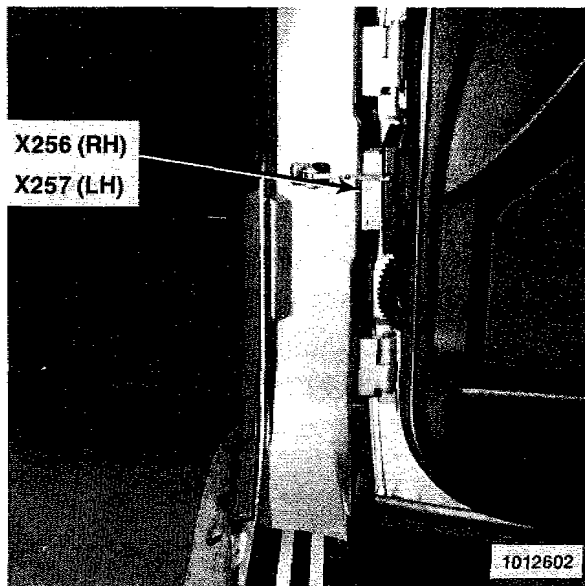


Figure 1- RH Front Door Jamb (LH Similar)

- X256 Connector (RH) (26 pins) GR**
- X257 Connector (LH) (26 pins) GR**

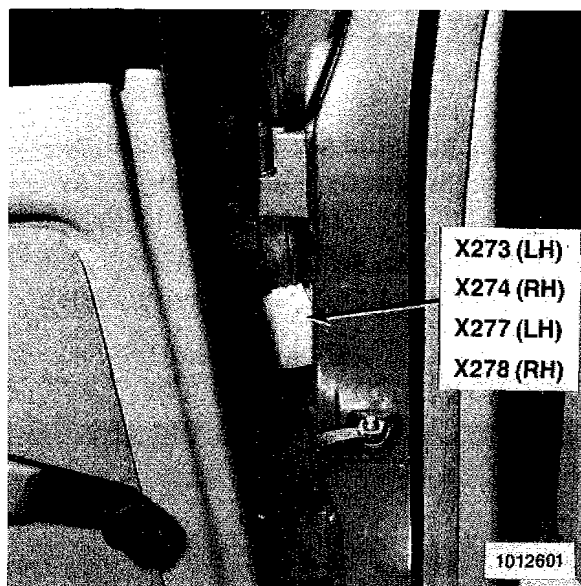


Figure 2- LH Rear Door Jamb (RH Similar)

- X273 Connector (LH) (12 pins) GR**
- X274 Connector (RH) (12 pins) GR**
- X277 Connector (LH) (10 pins) BL**
- X278 Connector (RH) (10 pins) BL**

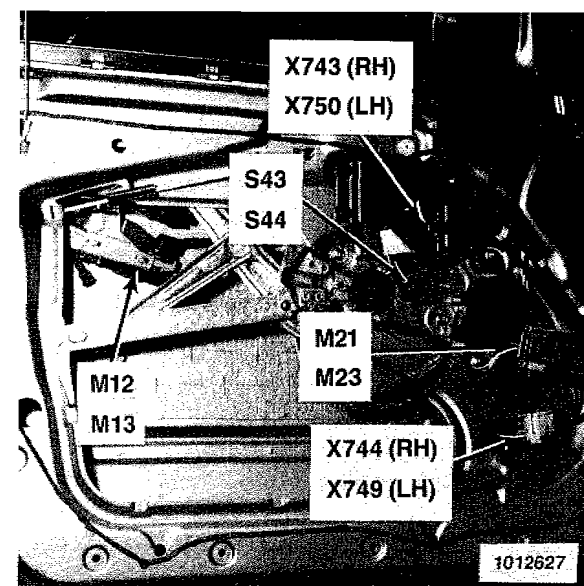


Figure 3- Behind Door Panel (Driver's Shown; Passenger's Similar)

- M12 Driver's Door Lock Motor**
- M13 Passenger's Door Lock Motor**
- M21 Driver's Window Motor**
- M23 Passenger's Window Motor**
- S43 Driver's Window Limit Switch**
- S44 Passenger's Window Limit Switch**
- X743 Connector (2 pins) (RH) SW**
- X744 Connector (2 pins) (RH) BL**
- X749 Connector (2 pins) (LH) BL**
- X750 Connector (2 pins) (LH) SW**

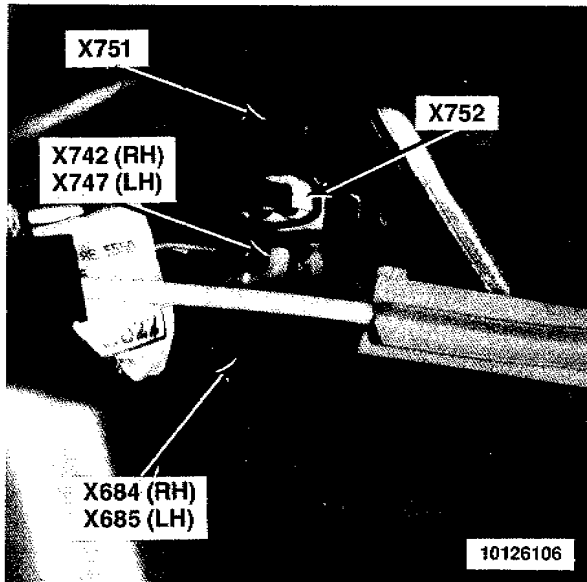


Figure 1- Driver's Door (Passenger's Similar)

- X684 Connector (3 pins) (RH) SW
- X685 Connector (3 pins) (LH) SW
- X742 Connector (2 pins) (RH) GE
- X747 Connector (2 pins) (LH) GE
- X751 Connector (2 pins) BL
- X752 Connector (2 pins) WS

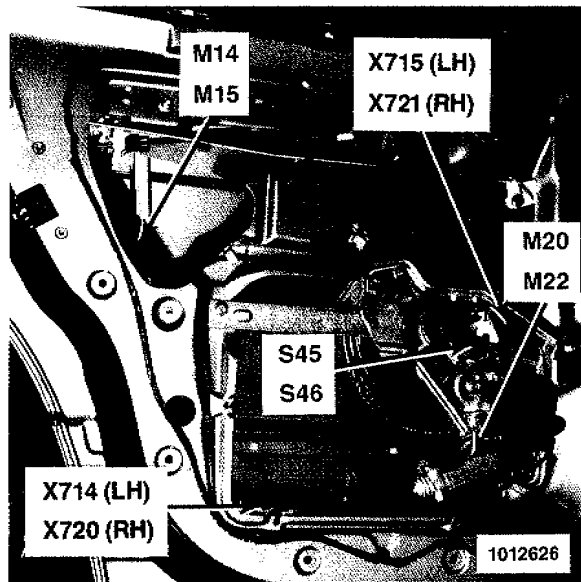


Figure 2- Behind LH Rear Door Panel (RH Rear Similar)

- M14 Right Rear Door Lock Motor
- M15 Left Rear Door Lock Motor
- M20 Left Rear Window Motor
- M22 Right Rear Window Motor
- S45 Left Rear Window Limit Switch
- S46 Right Rear Window Limit Switch
- X714 Connector (2 pins) (LH) BL
- X715 Connector (2 pins) (LH) SW
- X720 Connector (2 pins) (RH) BL
- X721 Connector (2 pins) (RH) SW

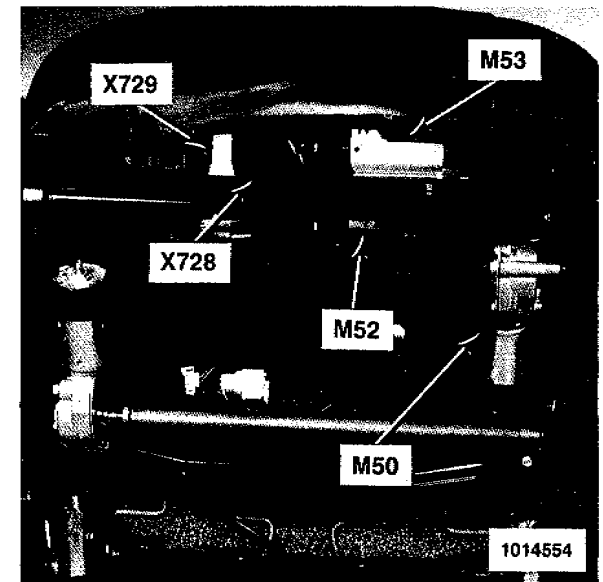


Figure 3- Under Driver's Seat

- M50 Driver's Seat Cushion Tilt Motor
- M52 Driver's Seat Height Motor
- M53 Driver's Seatback Recliner Motor
- X728 Connector (2 pins) SW
- X729 Connector (2 pins) WS

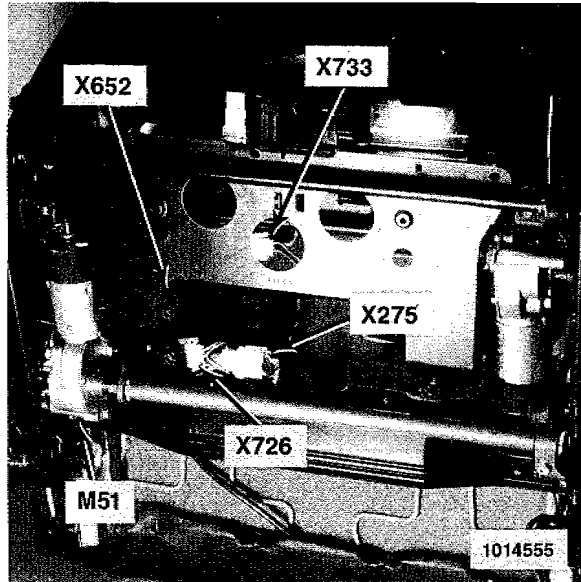


Figure 1- Under Driver's Seat

- M51 Driver's Seat Movement Motor**
- X275 Connector (12 pins) WS**
- X652 Connector (6 pins) BL**
- X726 Connector (2 pins) WS**
- X733 Connector (2 pins) WS**

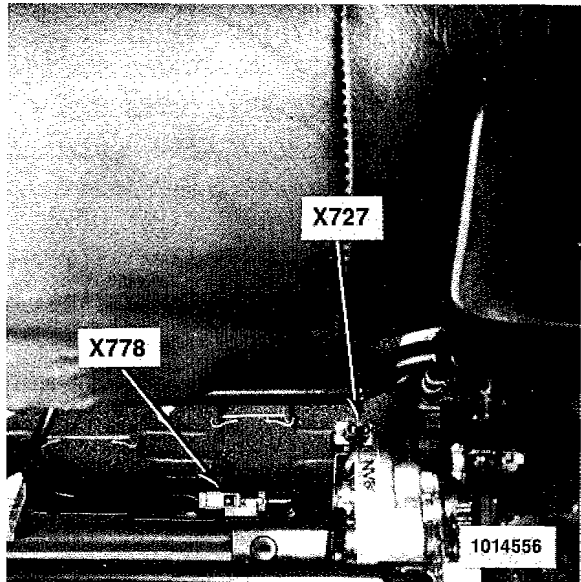


Figure 2- Under Driver's Seat

- X727 Connector (2 pins) SW**
- X778 Connector (2 pins) SW**

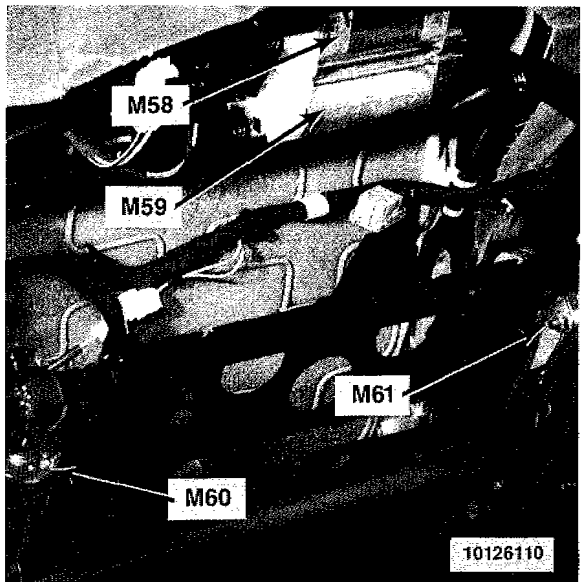


Figure 3- Under Passenger's Seat

- M58 Passenger's Seatback Recliner Motor**
- M59 Passenger's Seat Height Motor**
- M60 Passenger's Seat Movement Motor**
- M61 Passenger's Seat Cushion Tilt Motor**

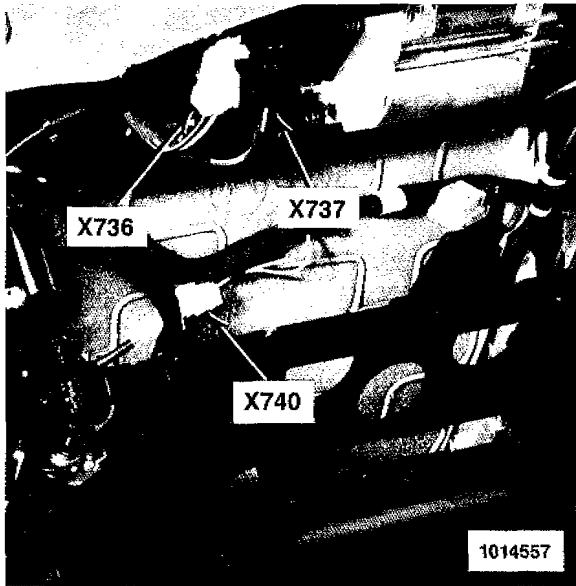


Figure 1- Under Passenger's Seat

- X736 Connector (2 pins) WS**
- X737 Connector (2 pins) SW**
- X740 Connector (2 pins) WS**

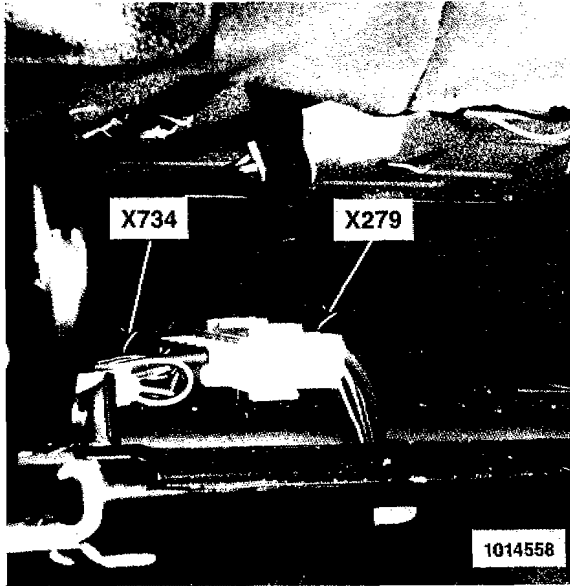


Figure 2- Under Passenger's Seat

- X279 Connector (12 pins) WS**
- X734 Connector (2 pins) WS**

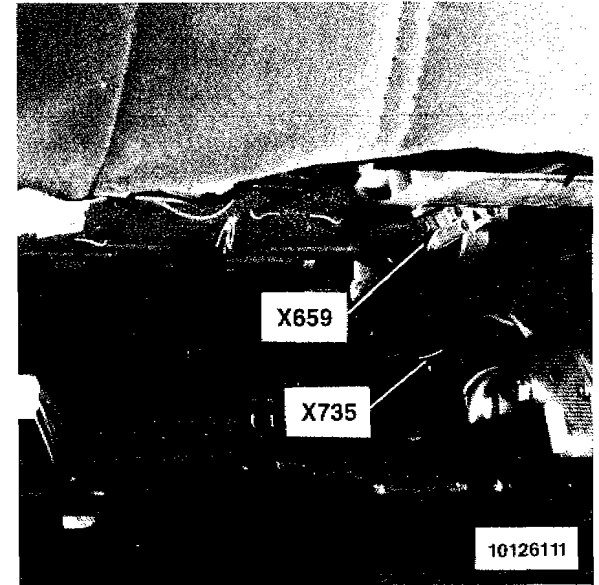


Figure 3- Under Passenger's Seat

- X659 Connector (6 pins) BL**
- X735 Connector (2 pins) SW**

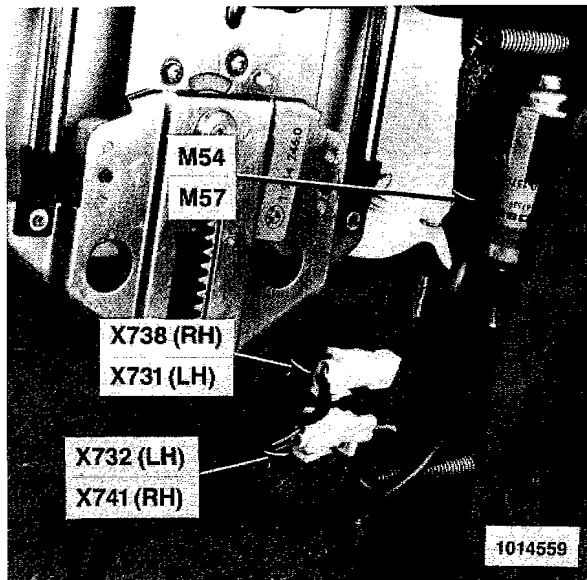


Figure 1- Inside Back Of LH Front Seat (RH Similar)

- M54 Driver's Headrest Motor**
- M57 Passenger's Headrest Motor**
- X731 Connector (2 pins) (LH) WS**
- X732 Connector (2 pins) (LH) WS**
- X738 Connector (2 pins) (RH) WS**
- X741 Connector (2 pins) (RH) WS**

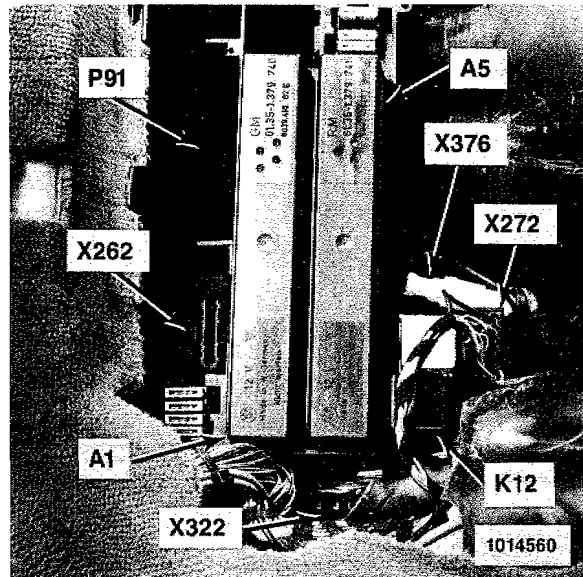


Figure 2- Below LH Side Of Rear Seat

- A1 General Module**
- A5 Relay Module**
- K12 Wiper Pressure Control (ADV) Relay**
- P91 Rear Power Distribution Box**
- X262 Connector (26 pins) BL**
- X272 Connector (12 pins) SW**
- X322 Connector (6 pins) SW**
- X376 Connector (2 pins) WS**

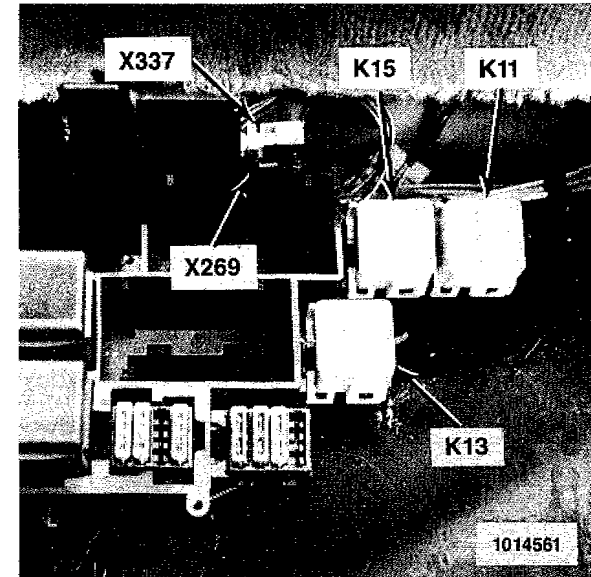
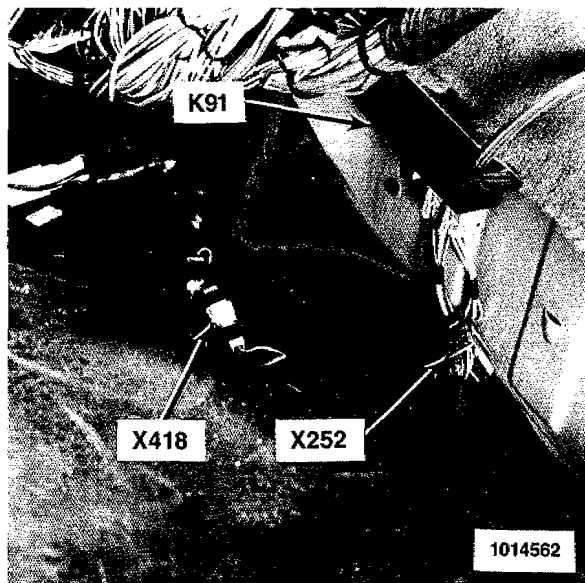


Figure 3- Below LH Side Of Rear Seat

- K11 Wiper Relay**
- K13 Rear Defogger Relay**
- K15 Electric Power Protection Relay**
- X269 Connector (6 pins) SW**
- X337 Connector (4 pins) WS**



**Figure 1- Below LH Side Of Rear Seat
(Rear Power Distribution Box
Removed)**

K91 On-Board Computer Horn Relay
X252 Connector (26 pins) GN
X418 Connector (1 pin) GE

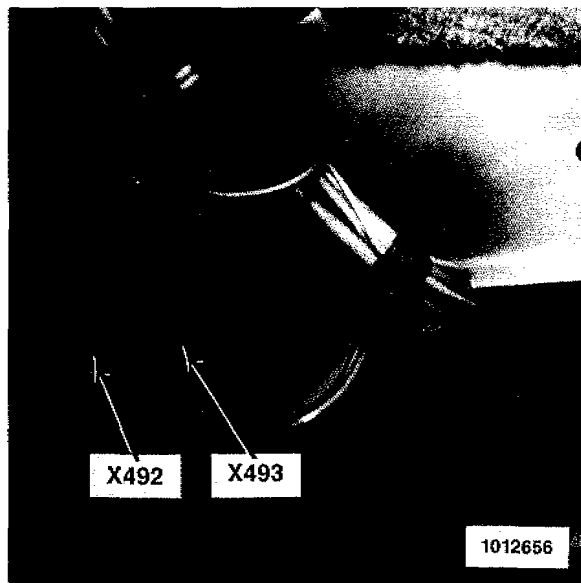


Figure 2- Below LH Side Of Rear Seat

X492 Ground
X493 Ground

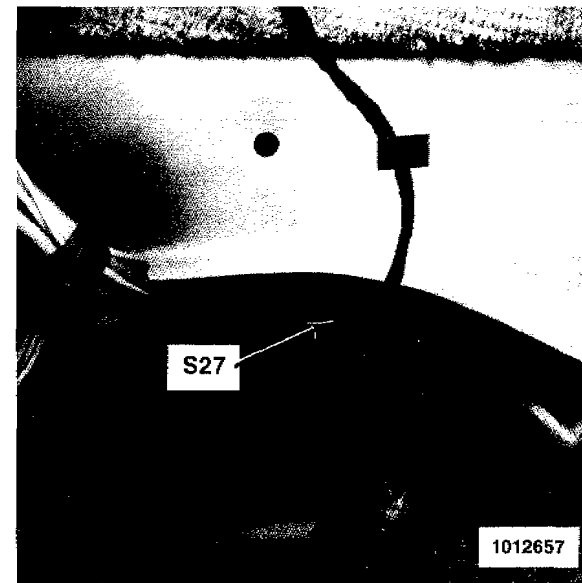


Figure 3- Below LH Side Of Rear Seat

S27 Inertia Switch

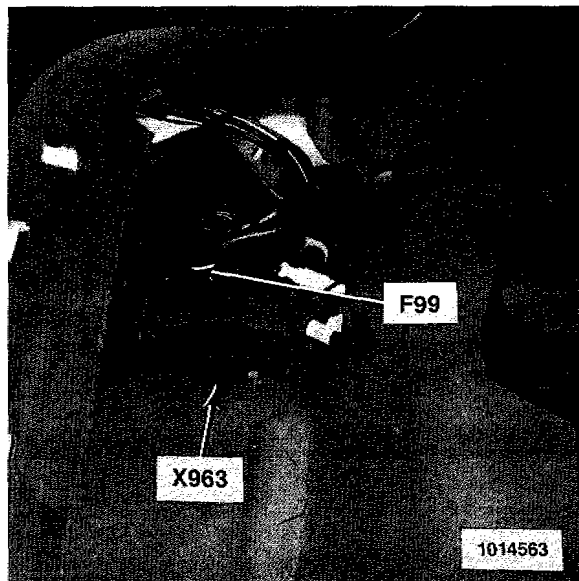


Figure 1- Below RH Side Of Rear Seat
(525i)

F99 Fusible Link 50A
X963 B+ Junction Post

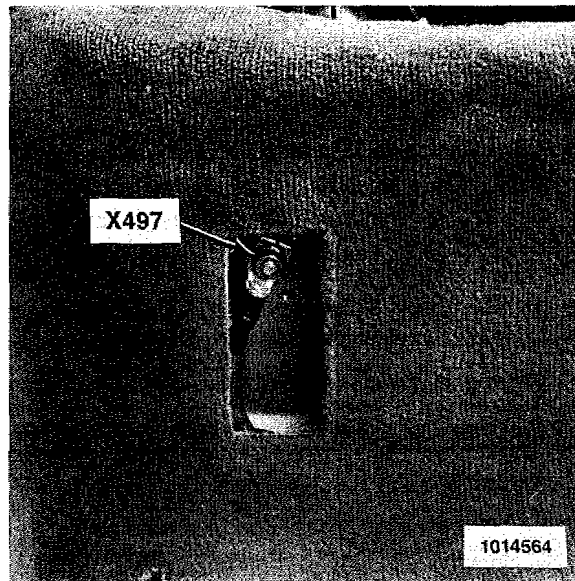


Figure 2- Ahead Of RH Side Of Rear Seat

X497 Ground (Battery)

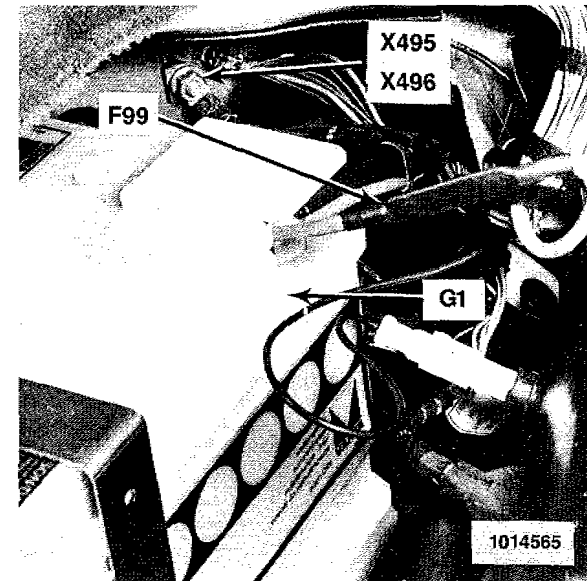
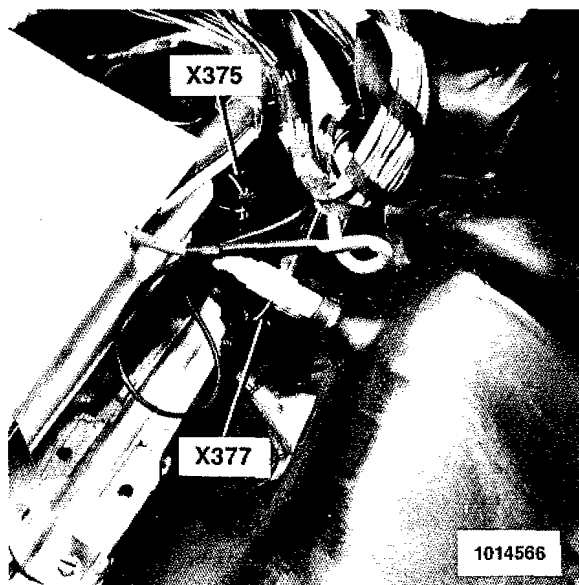


Figure 3- Below RH Side Of Rear Seat
(535i Shown; 525i Similar)

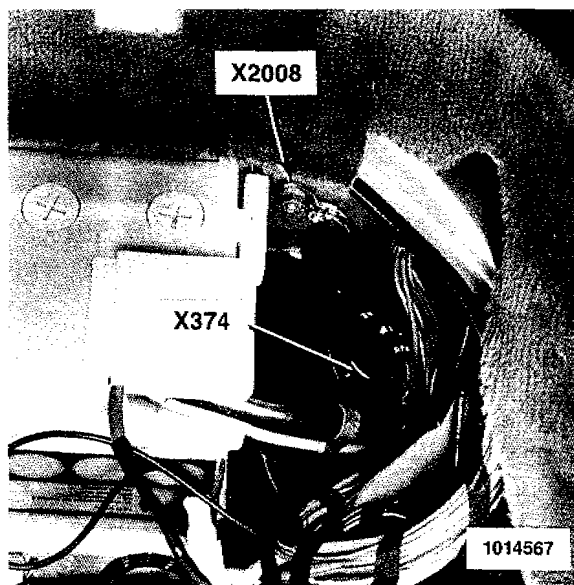
F99 Fusible Link
G1 Battery
X495 Ground
X496 Ground

BMW
5 **COMPONENT LOCATION VIEWS**



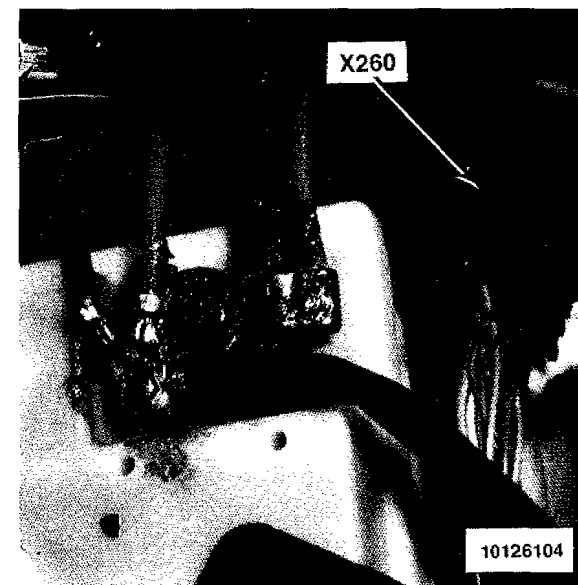
**Figure 1- Below RH Side Of Rear Seat
(535i Shown; 525i Similar)**

**X375 Connector (3 pins) SW
X377 Connector (2 pins) WS**



**Figure 2- Below RH Side Of Rear Seat
(535i Shown; 525i Similar)**

**X374 Connector (3 pins) SW
X2008 Ground**



**Figure 3- Below RH Side Of Rear Seat
(535i Shown; 525i Similar)**

X260 Connector (21 pins) SW

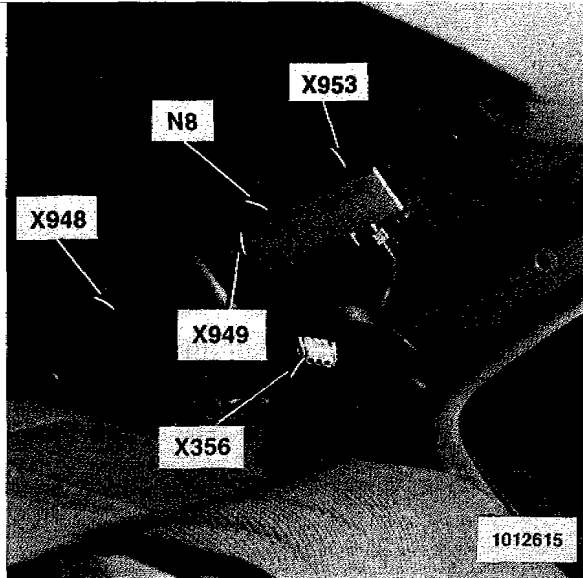


Figure 1- LH "C" Pillar

- N8 Antenna Amplifier**
- X356 Connector (3 pins) WS**
- X948 Connector (1 pin) SW**
- X949 Connector (1 pin) SW**
- X953 Connector (1 pin) SW**

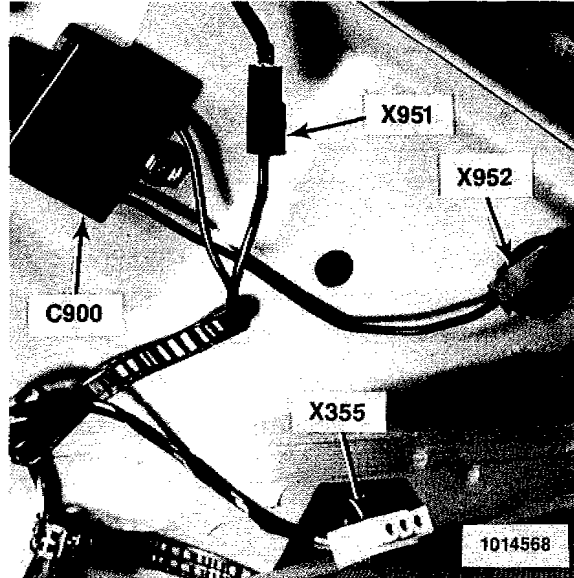


Figure 2- RH "C" Pillar

- C900 Defogger Coupler**
- X355 Connector (3 pins) WS**
- X951 Connector (1 pin) SW**
- X952 Connector (1 pin) SW**

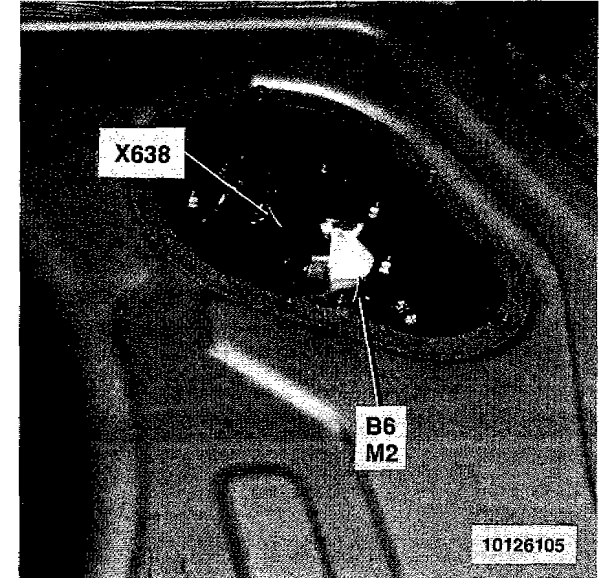


Figure 3- RH Side Of Luggage Compartment, Below Maintenance Cover

- B6 Fuel Tank Sensor**
- M2 Fuel Pump**
- X638 Connector (8 pins) SW**

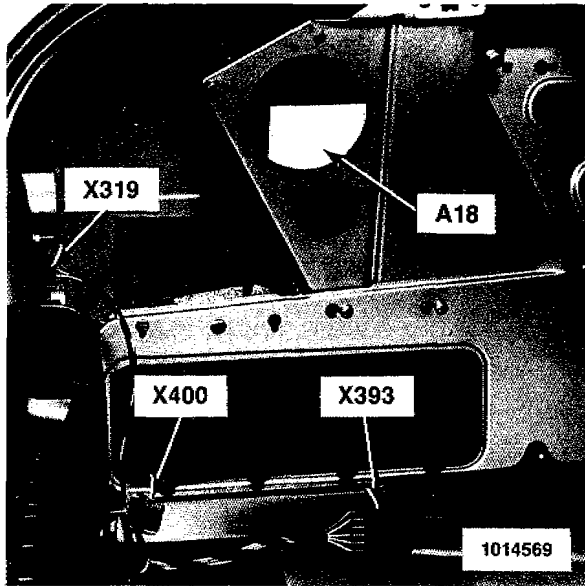


Figure 1- LH Side Of Luggage Compartment

- A18** HIFI Amplifier
- X319** Connector (4 pins) SW
- X393** Conenctor (6 pins) SW
- X400** Conector (3 pins) SW

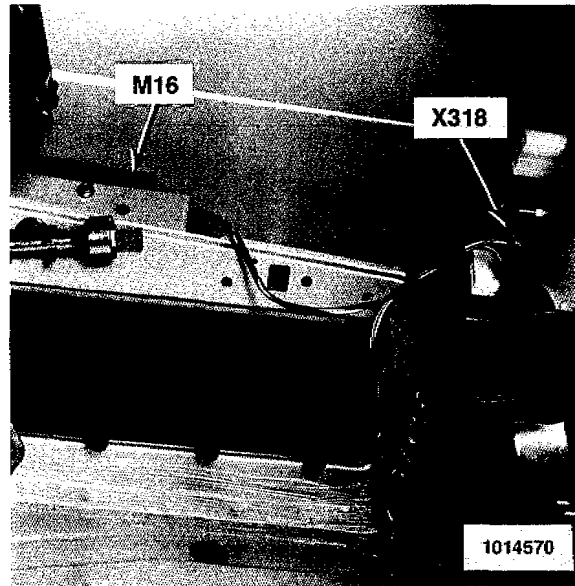


Figure 2- RH Side Of Luggage Compartment

- M16** Gas Filler Lock Motor
- X318** Connector (4 pins) SW

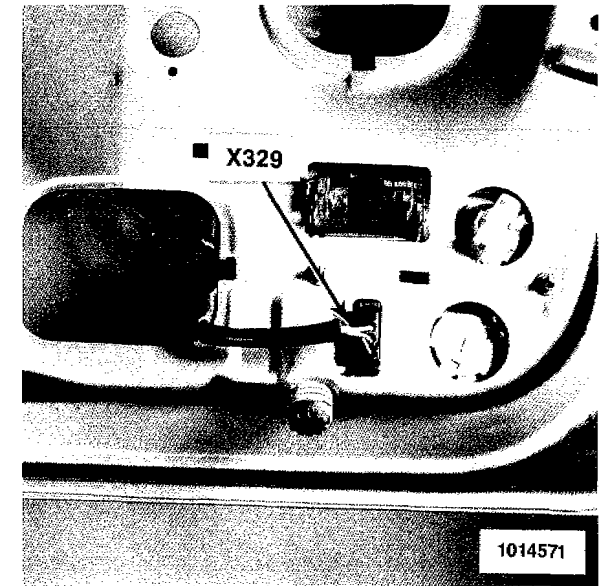


Figure 3- LH Rear Of Trunk Lid

- X329** Connector (4 pins) SW

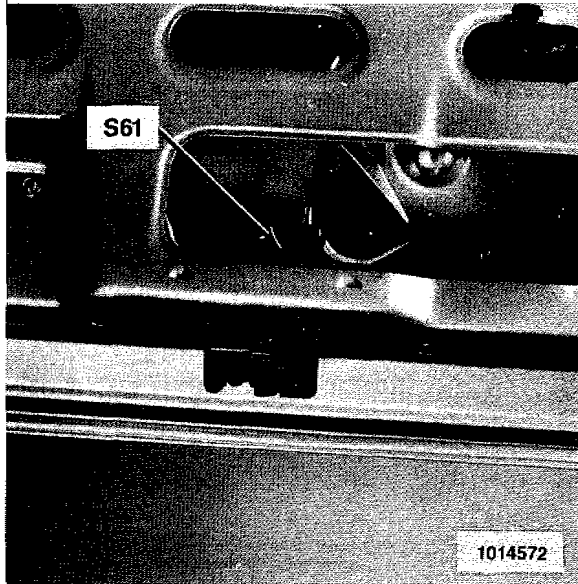


Figure 1- Center Rear Of Trunk Lid

S61 Trunk Lid Switch

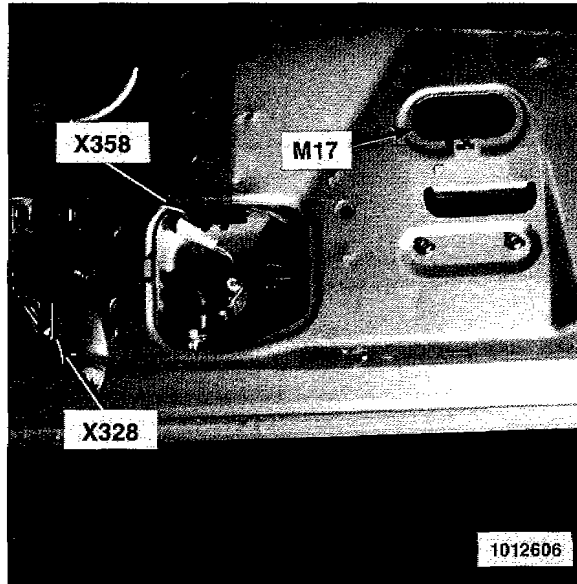


Figure 2- RH Rear Of Trunk Lid

M17 Trunk Lock Motor
X328 Connector (4 pins) SW
X358 Connector (3 pins) SW



SPLICE LOCATION VIEWS

INDEX

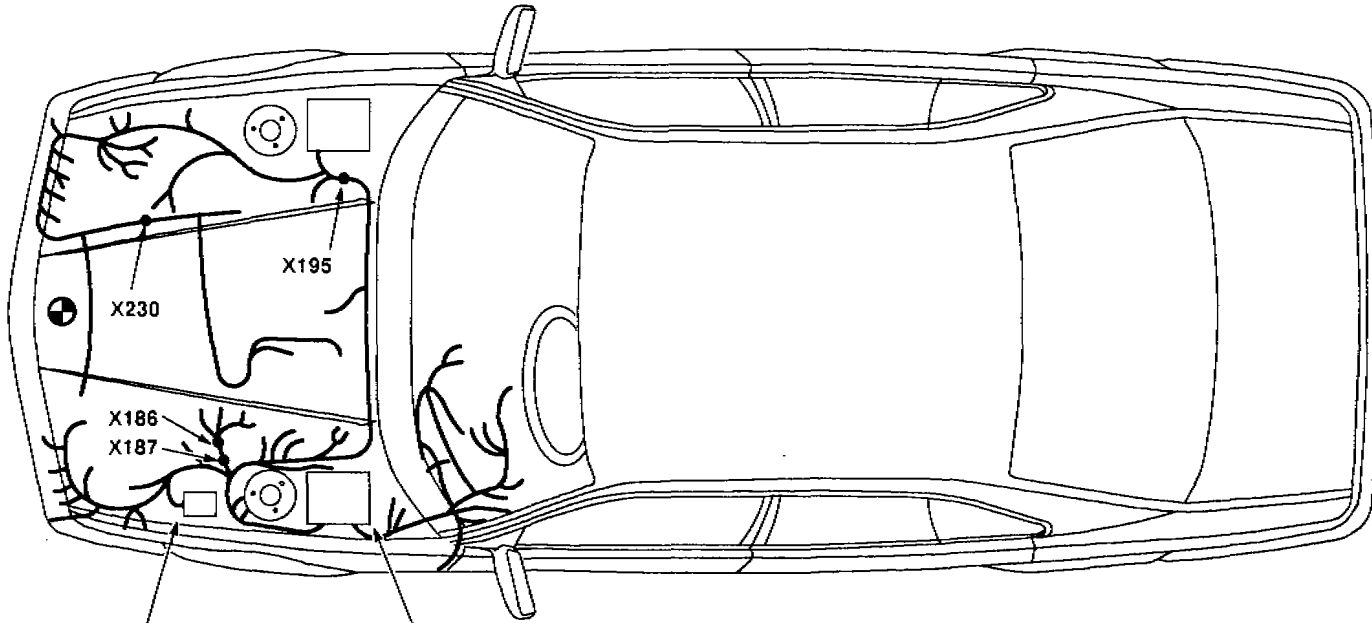
This index contains all the splices in the car, what harness each one is in, and the page that the splices appear on. The drawings after the index show how the harness is routed through the car and where the splices are located on the harness.

Splice	Harness	Page
X181-X246	Front	8000.0-01
X428-X475	Rear	8000.0-05
X557-X584	Instrument	8000.0-04
X831	Sunroof	Not shown
X833	Rear	8000.0-05
X834	LH Rear Door	Not shown
X835	RH Rear Door	Not shown
X836	Driver's Seat	Not shown
X839-X843	Driver's Seat	Not shown
X844-X847	Passenger's Seat	Not shown
X848-X851	Driver's Door	Not shown
X852-X860	IHKR	Not shown
X863	Passenger's Door	Not shown
X864-X865	Park Ventilation	Not shown
X1029	Front	8000.0-01
X1030	Front	8000.0-01
X1033	Front	8000.0-01
X1043	Front	8000.0-01
X1202	Front	8000.0-01
X1359	Rear	8000.0-05
X1360	Front	8000.0-01
X1902-X1955	M30 Engine	8000.0-02
	M20 Engine	8000.0-03
X2010	AECS	Not shown



SPLICE LOCATION VIEWS

FRONT HARNESS



- X189 •
- X202 •

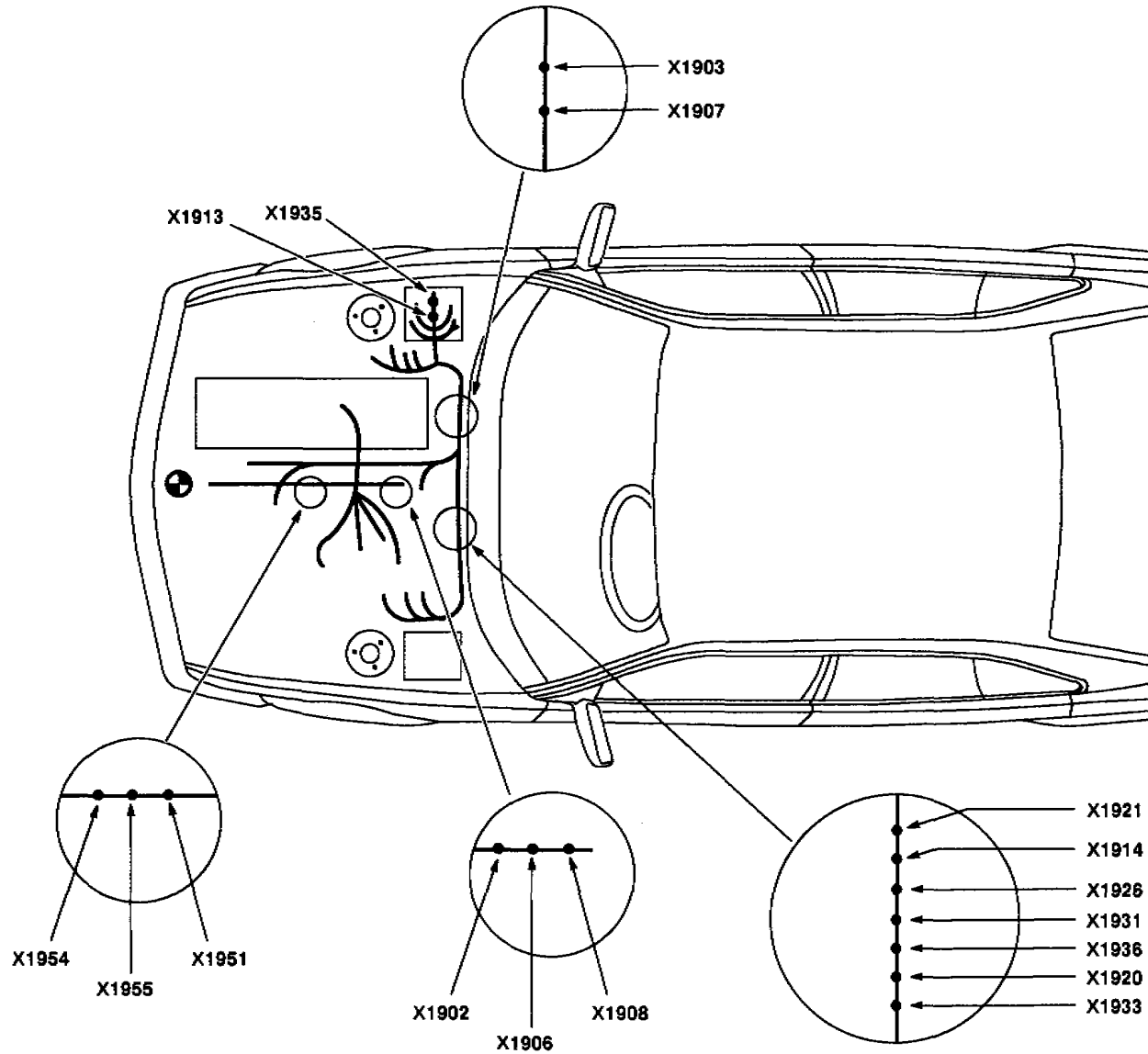
- | | | | | |
|--------|--------|--------|---------|---------|
| X181 • | X196 • | X207 • | X225 • | X1043 • |
| X182 • | X197 • | X208 • | X226 • | X1202 • |
| X183 • | X198 • | X209 • | X227 • | |
| X184 • | X199 • | X212 • | X228 • | |
| X185 • | X200 • | X213 • | X241 • | |
| X188 • | X201 • | X214 • | X245 • | |
| X190 • | X203 • | X215 • | X246 • | |
| X191 • | X204 • | X217 • | X1029 • | |
| X192 • | X205 • | X222 • | X1030 • | |
| X193 • | X206 • | X223 • | X1033 • | |



SPLICE LOCATION VIEWS

M30 ENGINE HARNESS (535i)

535i

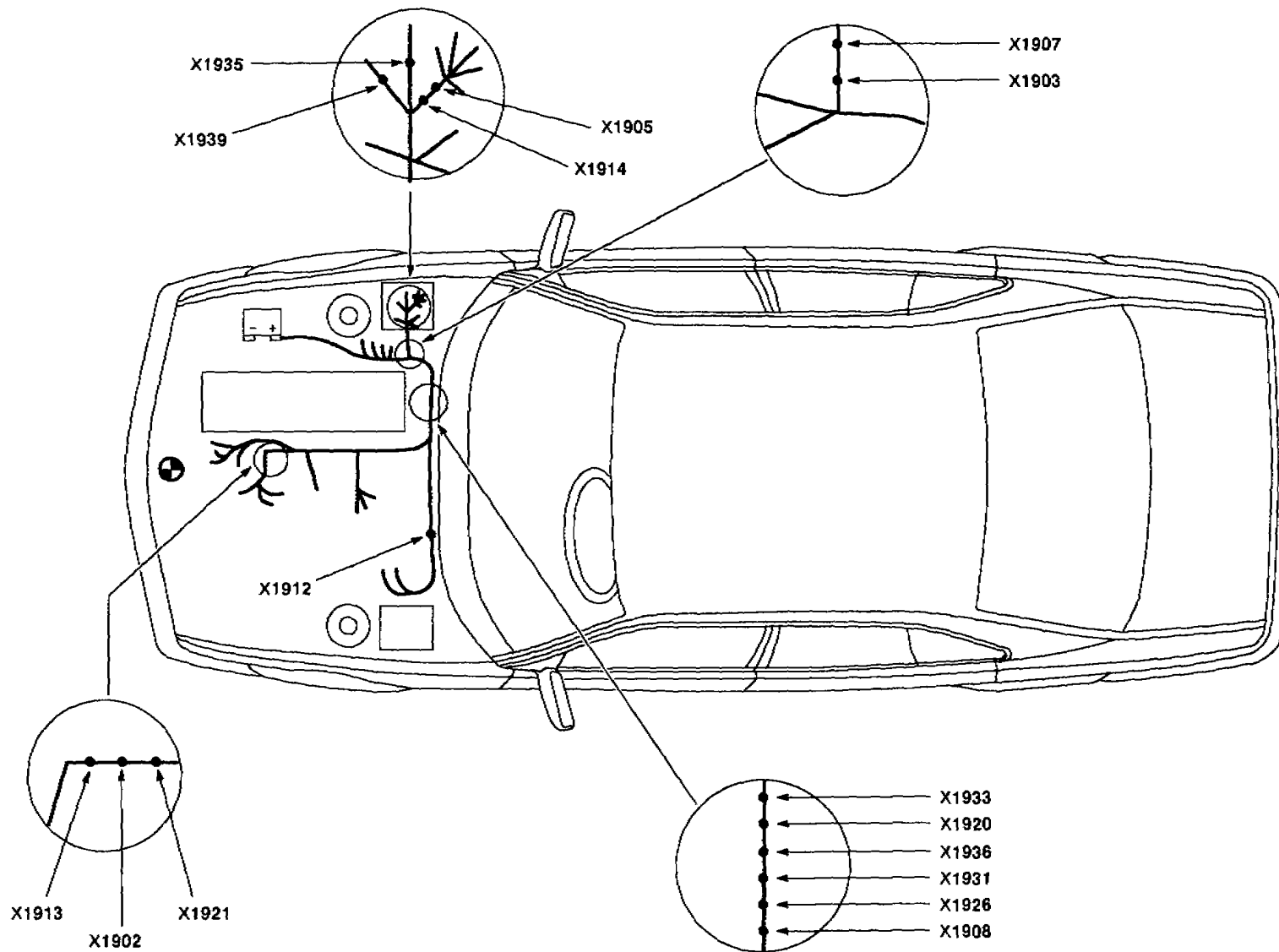




SPLICE LOCATION VIEWS

M20 ENGINE HARNESS (525i)

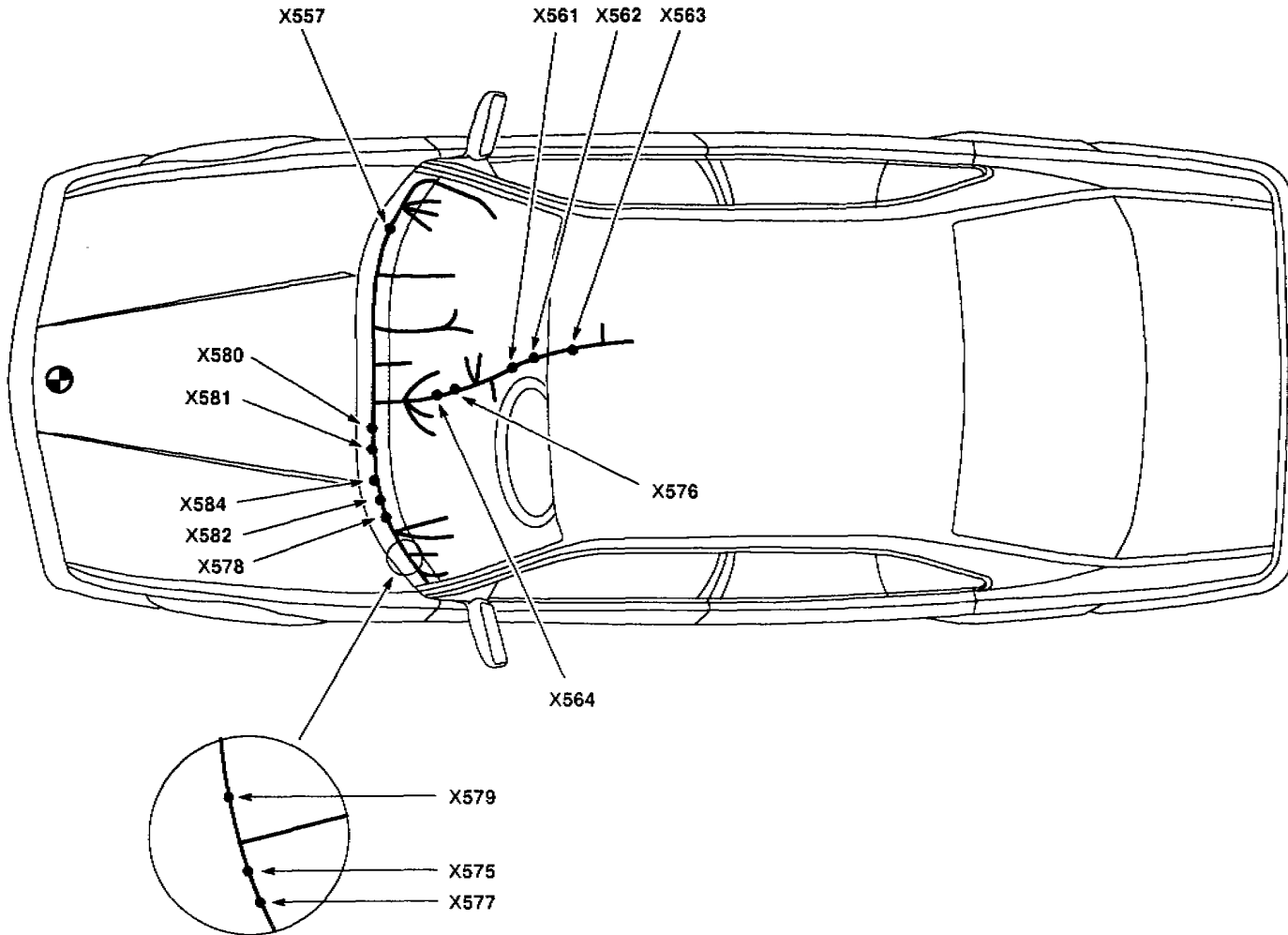
525i





SPLICE LOCATION VIEWS

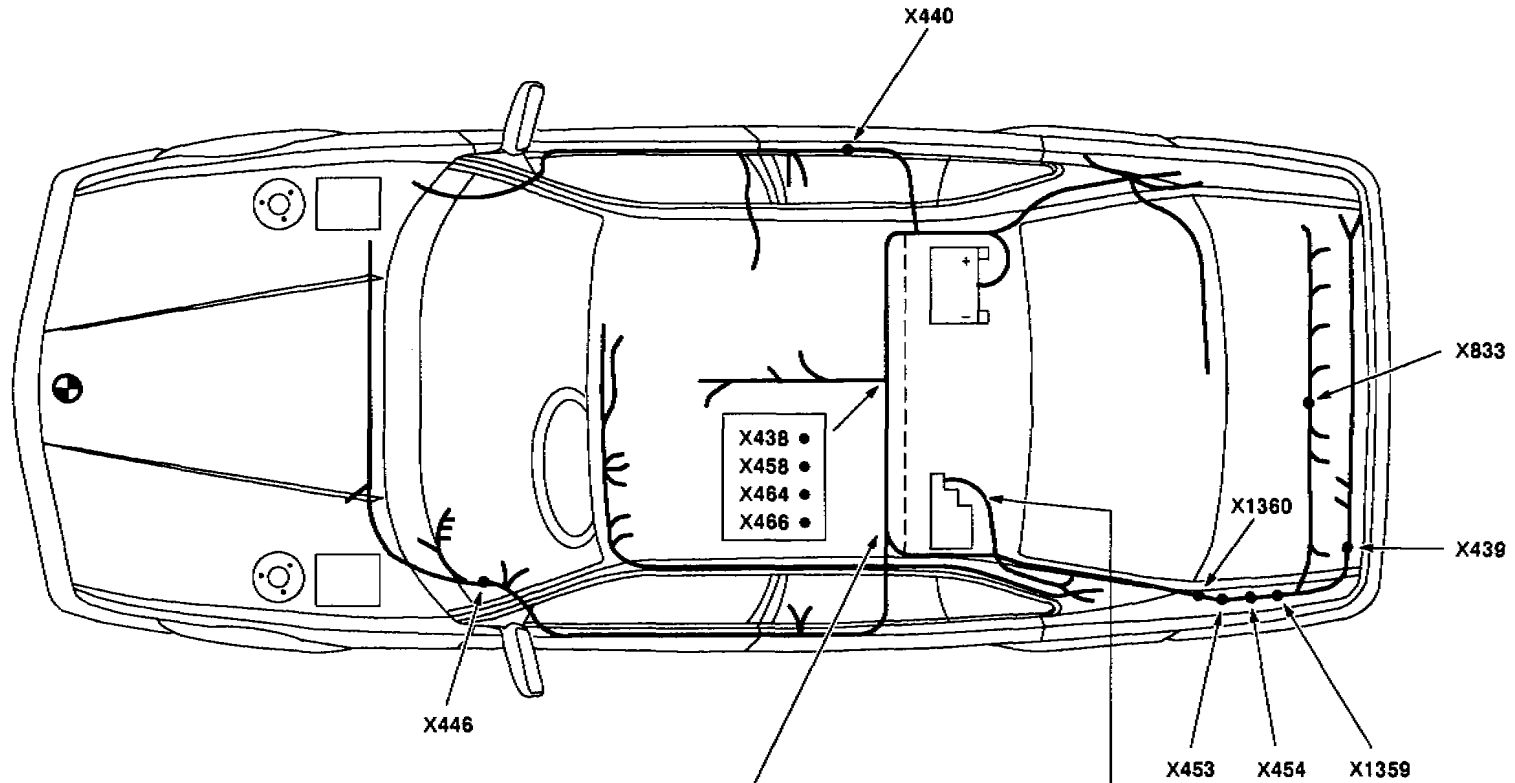
INSTRUMENT HARNESS





SPLICE LOCATION VIEWS

REAR HARNESS



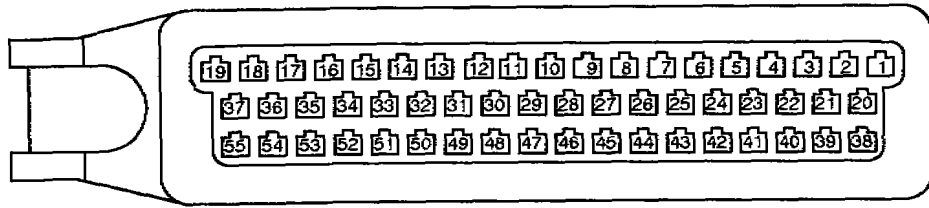
- | | | |
|--------|--------|--------|
| X429 • | X449 • | X462 • |
| X433 • | X450 • | X463 • |
| X435 • | X451 • | X467 • |
| X436 • | X455 • | X468 • |
| X437 • | X456 • | X470 • |
| X443 • | X459 • | X472 • |
| X444 • | X460 • | X475 • |
| X445 • | X461 • | |

- | |
|--------|
| X428 • |
| X431 • |
| X434 • |
| X441 • |
| X442 • |
| X447 • |
| X448 • |
| X452 • |
| X465 • |
| X469 • |



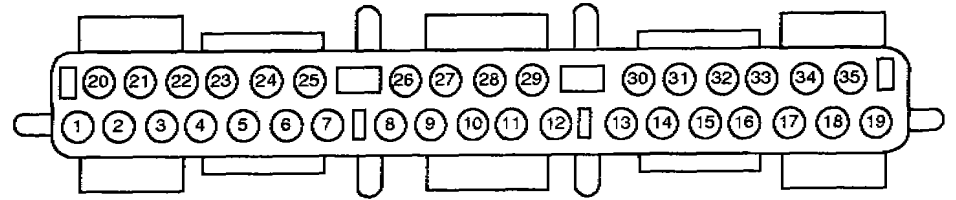
CONNECTOR VIEWS

B550001.00



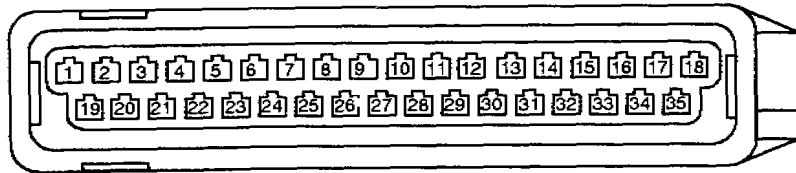
X7 NA

B350001.00



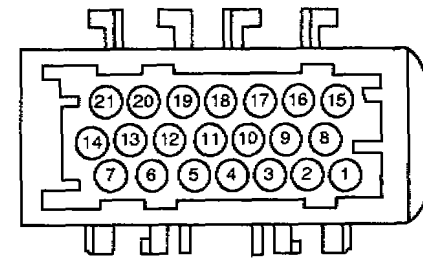
X12 SW

B350002



X11 NA

B210001.00

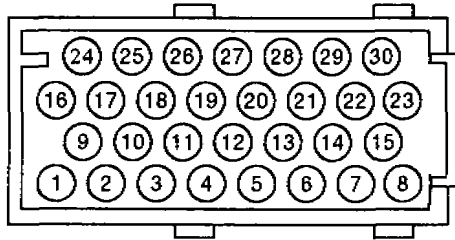


X13 WS



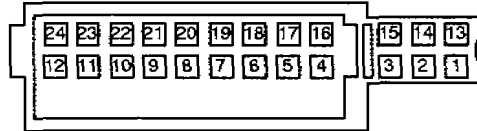
CONNECTOR VIEWS

B300001.00



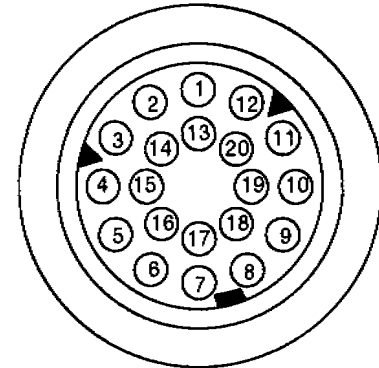
- X14 GE
- X15 WS

B240001.00



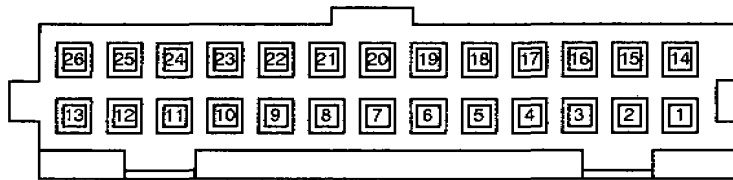
- X17 BR

B200002.00



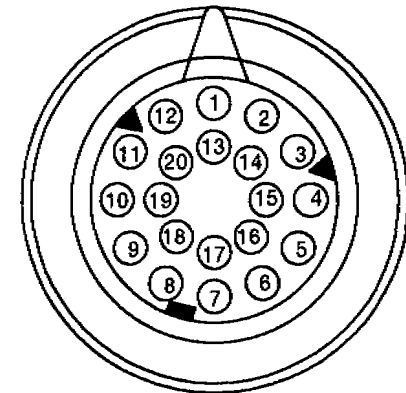
- X20 SW

B260002.00



- X16 BG
- X18 BL
- X19 GN
- X22 BL

B200004.00

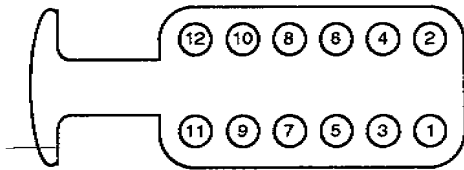


- X21 SW



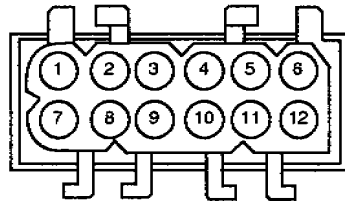
CONNECTOR VIEWS

B120013.00



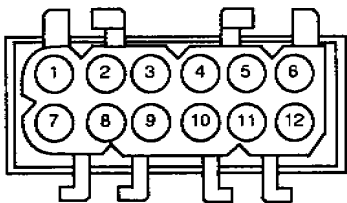
X31 SW

B120004.01



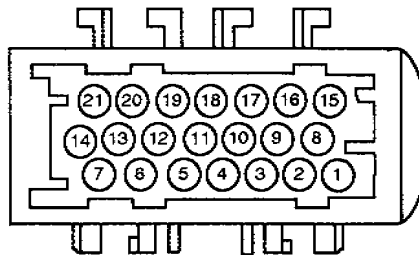
X33 SW

B120010.00



X32 WS

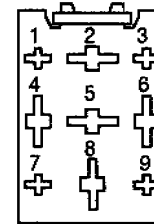
B210001.00



X34 WS

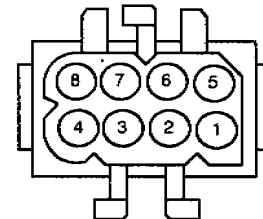
X35 SW

B090001.00



<u>X48</u>	WS	<u>X54</u>	SW	<u>X59</u>	WS
<u>X49</u>	WS	<u>X55</u>	WS	<u>X61</u>	SW
<u>X50</u>	WS	<u>X56</u>	WS	<u>X62</u>	WS
<u>X51</u>	SW	<u>X57</u>	WS	<u>X63</u>	WS
<u>X52</u>	WS	<u>X58</u>	WS	<u>X64</u>	SW
<u>X53</u>	WS				

B080001.01



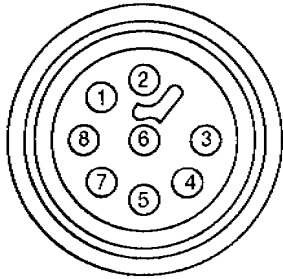
X69 WS

X72 WS



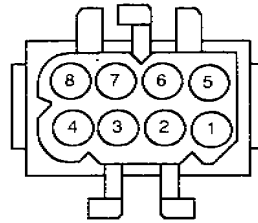
CONNECTOR VIEWS

B080004.00



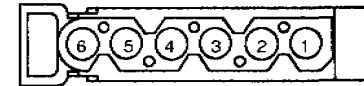
X70 SW
X71 SW

B080008.00



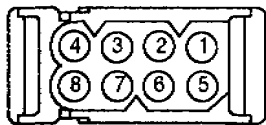
X74 OR

B060017.00



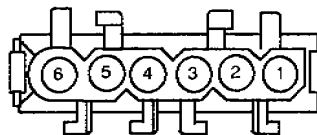
X76 SW

B080002.00



X73 SW

B060003.03



X75 OR



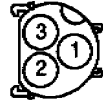
CONNECTOR VIEWS

B0400004.00



X79 WS

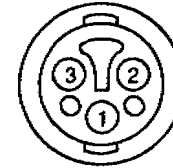
B030004.00



X82 SW

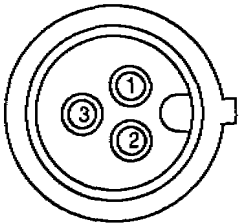
X85 SW

B030013.00



X84 GE

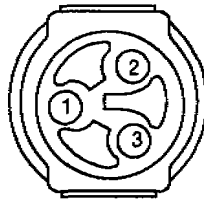
B030005.00



X81 OR

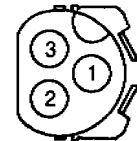
X86 OR

B030012.00



X83 GE

B030006.00

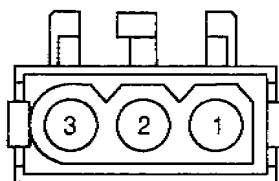


X87 SW



CONNECTOR VIEWS

B030001.00



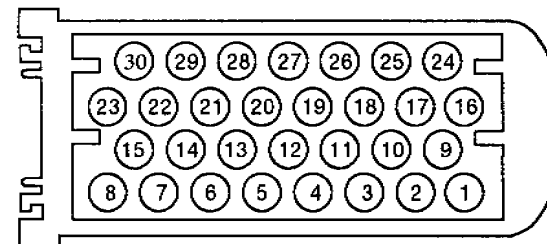
X88 SW

B040004.00



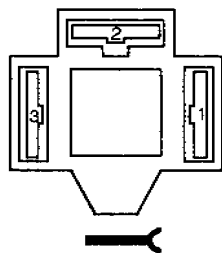
X116 SW

B300002.00



X251 SW

B030014.00



X89 SW

X90 SW

X93 SW

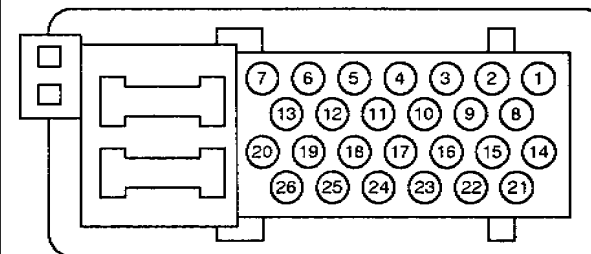
X94 SW

B030004.00



X163 SW

B260003.00



FOR
X269
SEE PAGE
8500.0-24

X256 GR

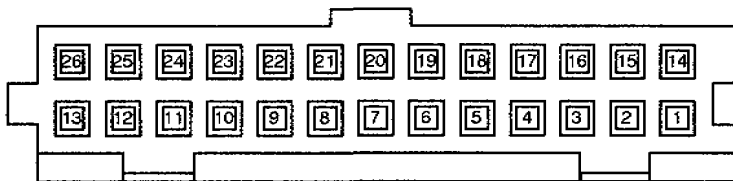
X257 GR



CONNECTOR VIEWS

B260002.01

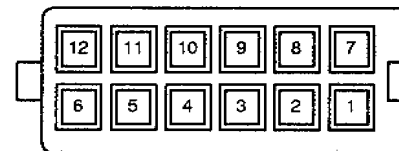
B260002.01



<u>X252</u>	GN	<u>X255</u>	GE
<u>X253</u>	GN	<u>X262</u>	BL
<u>X254</u>	WS		

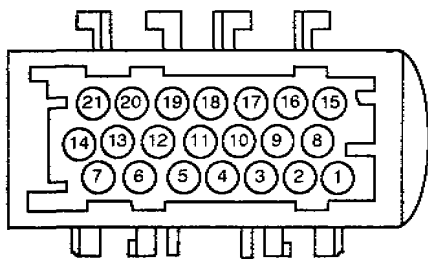
FOR
X258 AND 259,
SEE PAGE
8500.0-24

B120011.00



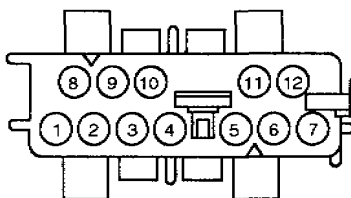
X271 GR

B210001.00



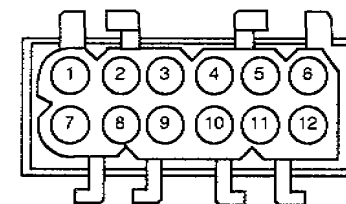
X260 SW

B120005.00



X270 SW

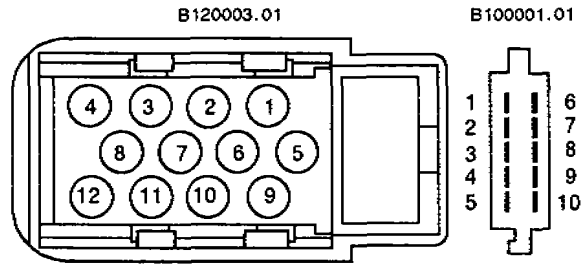
B120004.00



X272 SW

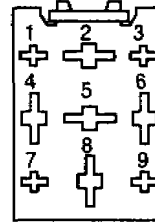


CONNECTOR VIEWS



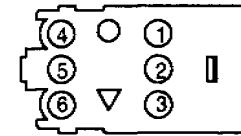
- | | | | |
|-------------|----|-------------|----|
| <u>X273</u> | WS | <u>X277</u> | SW |
| <u>X274</u> | WS | <u>X278</u> | SW |

B090001.01



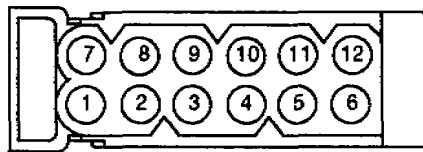
- | | | | |
|-------------|----|-------------|----|
| <u>X290</u> | SW | <u>X293</u> | WS |
| <u>X291</u> | SW | <u>X294</u> | WS |
| <u>X292</u> | WS | <u>X297</u> | WS |

B060005.12



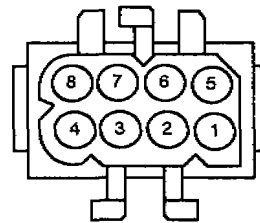
- | | |
|-------------|----|
| <u>X311</u> | SW |
| <u>X312</u> | SW |

B120002.00



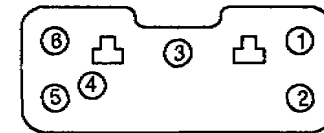
- | | |
|-------------|----|
| <u>X275</u> | WS |
| <u>X279</u> | WS |

B080001.02



- | | |
|-------------|----|
| <u>X295</u> | SW |
|-------------|----|

B060002.00



- | | |
|-------------|----|
| <u>X316</u> | WS |
| <u>X317</u> | SW |



CONNECTOR VIEWS

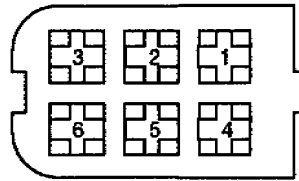
B040004.00



X318 SW

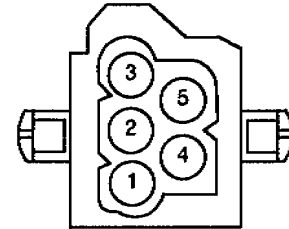
X319 SW

B060006.00



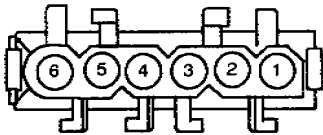
X323 SW

B050005.00



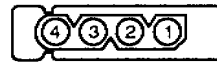
X331 GN

B060003.00



X322 SW

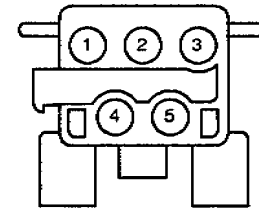
B040004.00



X328 SW

X329 SW

B050006.00

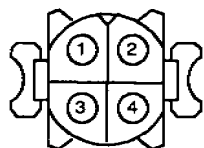


X332 SW



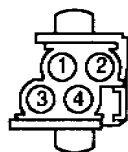
CONNECTOR VIEWS

B040008.00



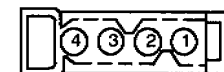
X333 SW

B040003.00



X335 GN

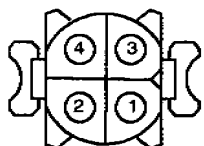
B040005.00



X338 SW

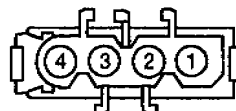
X339 SW

B040008.00



X334 WS

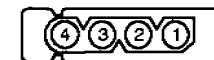
B040002.00



X336 WS

X337 WS

B0400004.00



X342 WS



CONNECTOR VIEWS

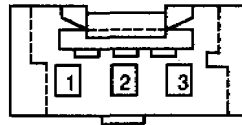
B030003.00



X355 WS

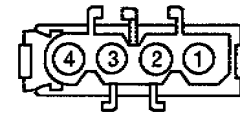
X356 WS

B0300010.00



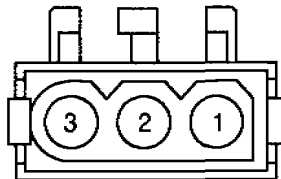
X360 NA

B040002.00



X400 SW

B030001.01



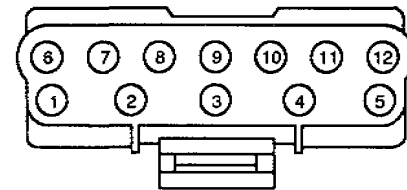
X358 SW

B060001.02



X393 SW

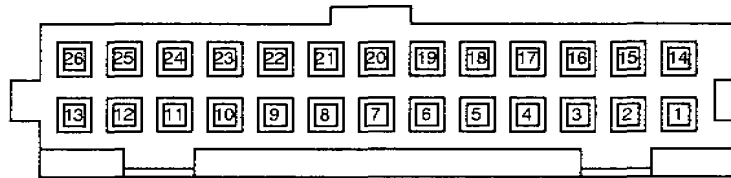
B120006.00



X503 SW

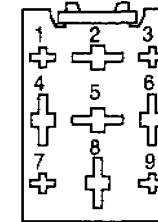
X504 SW

B260002.02



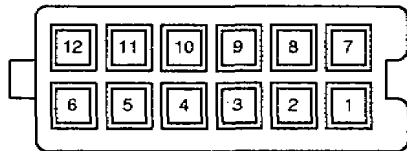
X501 GN
X502 WS

B090001.04



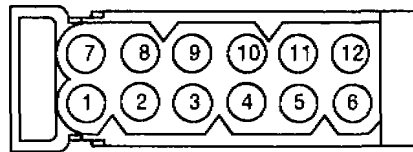
X509 SW
X510 SW

B120011.00



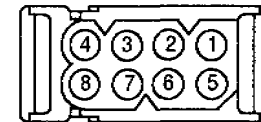
X505 GR

B120002.01



X506 SW

B080002.00

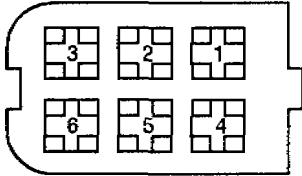


X511 SW
X512 SW



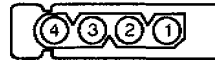
CONNECTOR VIEWS

B060006.00



X514 BL
X521 SW

B0400004.00



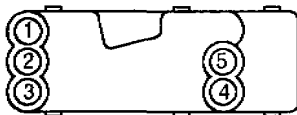
X517 SW
X518 SW
X519 WS

B030003.01



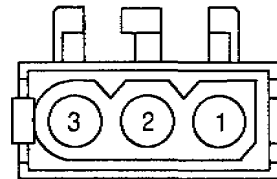
X522 WS

B050003.00



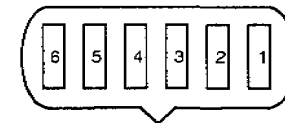
X516 SW

B030001.02



X520 WS

B060023.00

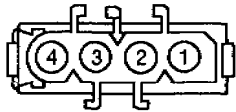


X523 SW



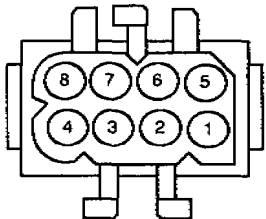
CONNECTOR VIEWS

B0400002.00



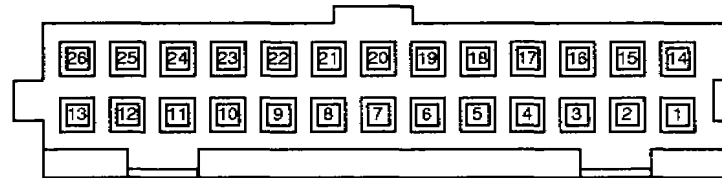
X524 SW

B080001.02



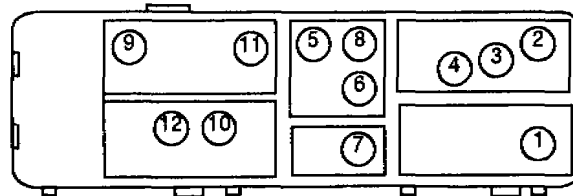
X526 SW

B260002.02



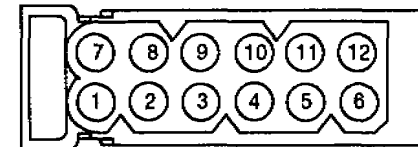
X601	SW	X612	BL
X602	SW	X613	BL
X610	WS	X614	GE
X611	GN		

B120008.00



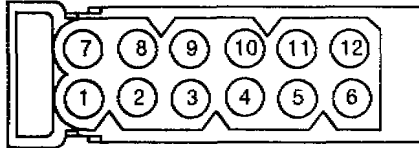
X603 SW
X604 SW

B120002.00



X605 SW

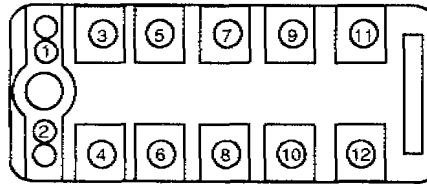
B120002.01



X606 WS

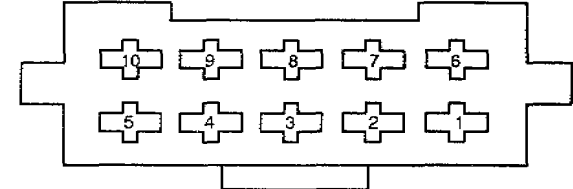
X619 WS

B120009.00



X608 SW

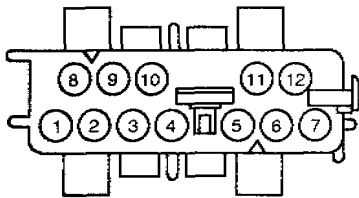
B100002.00



X621 SW

X622 SW

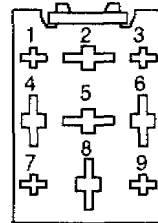
B120005.01



X607 SW

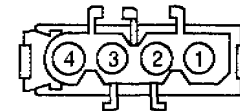
X609 SW

B090001.02



X620 WS

B040002.00

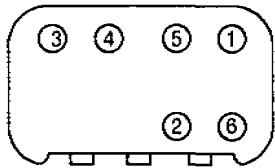


X623 GR

X624 GR

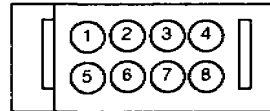
CONNECTOR VIEWS

B060013.00



X625 SW

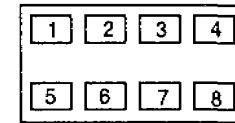
B080010.00



X627 SW

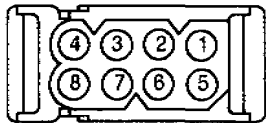
X633 SW

B080000.00



X629 NA

B080002.01



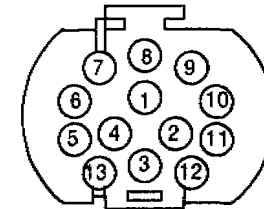
X626 SW

B030003.03



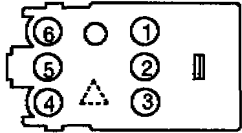
X628 SW

B130002.00



X630 SW

B060005.00

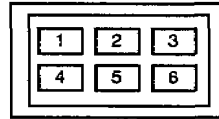


X636 SW ▽

X637 SW ▽

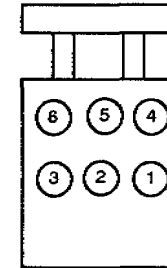
X643 BL ▲

B060019.00



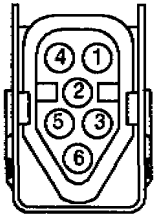
X640 SW

B060011.00



X643 SW

B060009.00



X638 SW

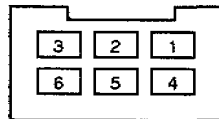
X641 SW

X644 SW

X646 SW

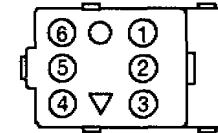
X660 SW

B060019.01



X642 SW

B060008.00



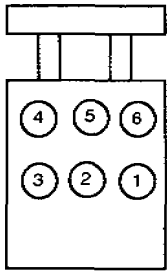
X645 SW

X647 SW



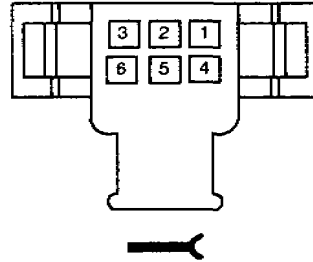
CONNECTOR VIEWS

B060011.00



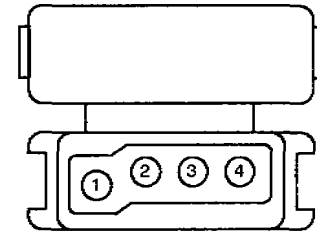
- X648 SW
- X649 WS

B060010.01



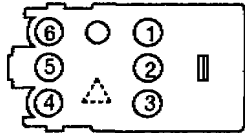
- X661 SW X666 SW
- X662 SW X667 SW
- X663 SW X668 SW
- X664 SW X669 SW
- X665 SW X670 SW

B040009.00



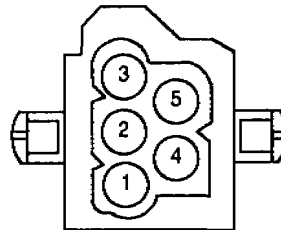
- X672 SW

B060005.01



- | | | | | | |
|-------------|----|---|-------------|----|---|
| <u>X650</u> | SW | ▽ | <u>X655</u> | BL | △ |
| <u>X651</u> | SW | ▽ | <u>X656</u> | GN | ▽ |
| <u>X652</u> | BL | △ | <u>X657</u> | BR | ▷ |
| <u>X653</u> | SW | ▽ | <u>X658</u> | SW | ▽ |
| <u>X654</u> | WS | ▷ | <u>X659</u> | BL | △ |

B050001.00



- X671 GN

B0400004.01

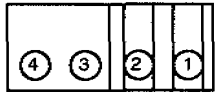


- X673 SW
- X674 SW



CONNECTOR VIEWS

B040009.00



X675 WS

X676 SW

B030003.02

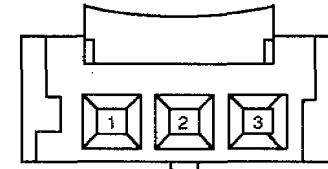


X680 SW

X683 SW

X693 SW

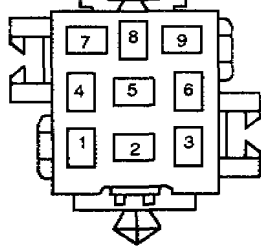
B030016.00



X682 NA

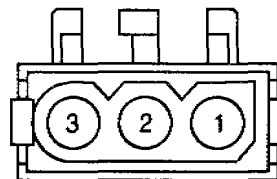
X694 NA

B090002.00



X677 SW

B030001.03



X681 WS

B030004.01



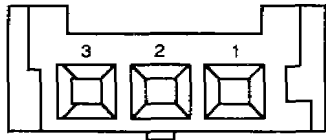
X684 SW

X685 SW



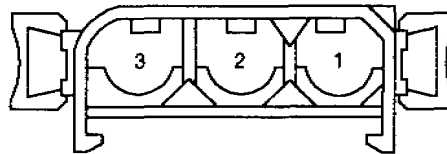
CONNECTOR VIEWS

B030007.00



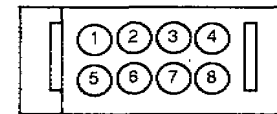
- X686 BL X689 BL
- X687 BL X690 BL
- X688 BL

B030009.00



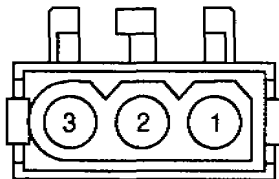
- X696 SW

B080010.01



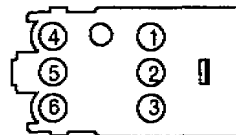
- X898 SW

B030001.03



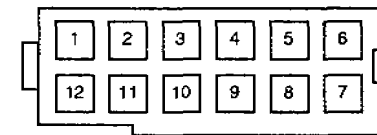
- X692 SW
- X695 SW

B060005.02



- X881 WS
- X886 WS

B120001.00

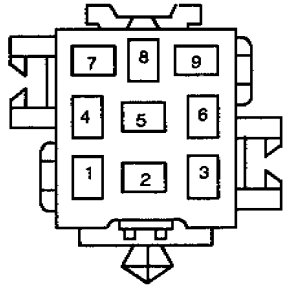


- X899 GN



CONNECTOR VIEWS

B090002.01



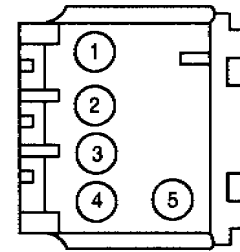
X902 SW

B040004.04



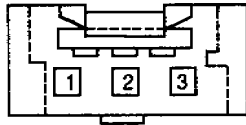
X904 SW

B050002.00



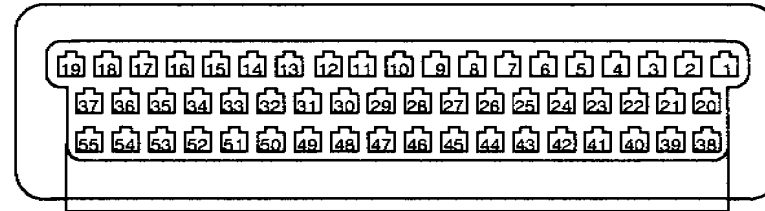
X905 SW

B0300010.01



X903 NA

B550001.00

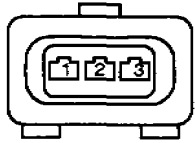


X1500 NA



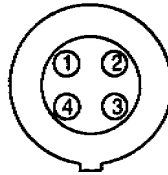
CONNECTOR VIEWS

B030015.00



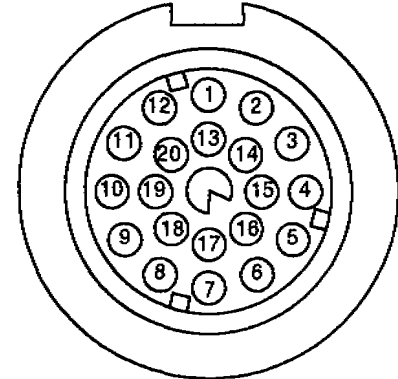
- X1514** SW
- X1521** SW
- X1522** SW
- X1525** SW
- X1533** SW

B040006.00



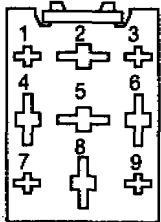
- X1523** SW

B200003.00



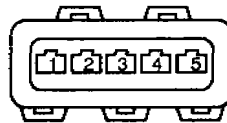
- X1532** SW

B090001.03



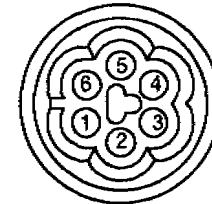
- X1515** WS
- X1516** WS
- X1517** WS

B050006.00



- X1528** SW

B060014.00

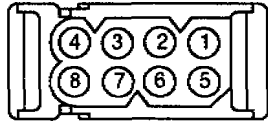


- X1536** SW



CONNECTOR VIEWS

B080002.02



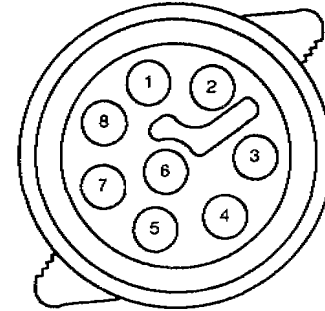
X1537 SW

B0400004.01



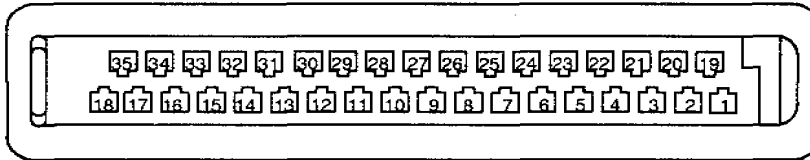
X1552 SW

B080009.00



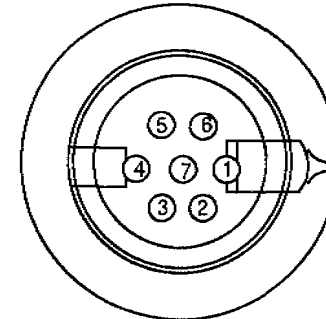
X1554 SW

B350003.00



X1550 SW

B070001.00

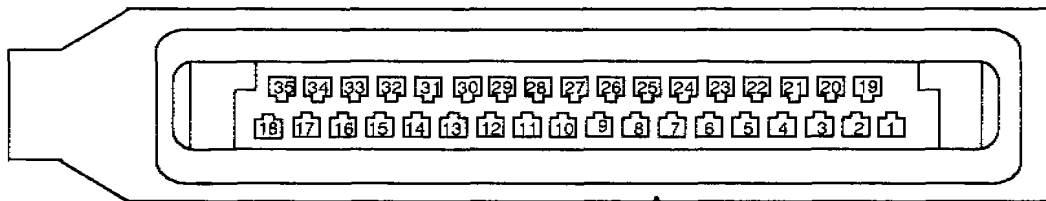


X1563 SW



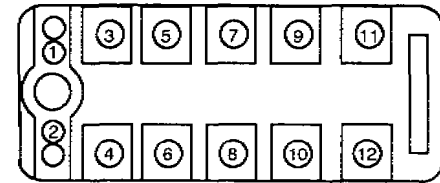
CONNECTOR VIEWS

B350004.00



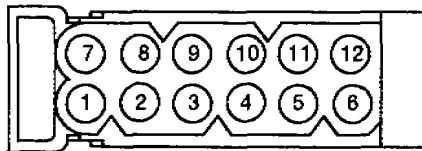
X2000 NA

B120009.01



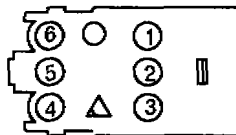
X2004 SW

B120002.04



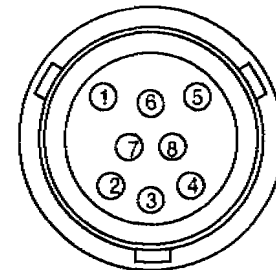
X2001 SW

B060005.17



X2003 BL

B080005.00

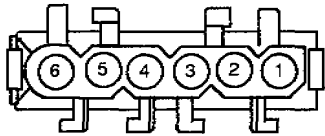


X2005 SW



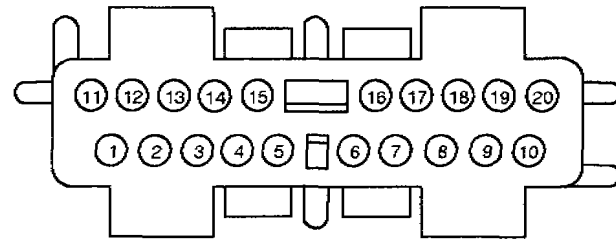
CONNECTOR VIEWS

B060003.03



X269 SW

B200001.00



X258 WS

X259 SW